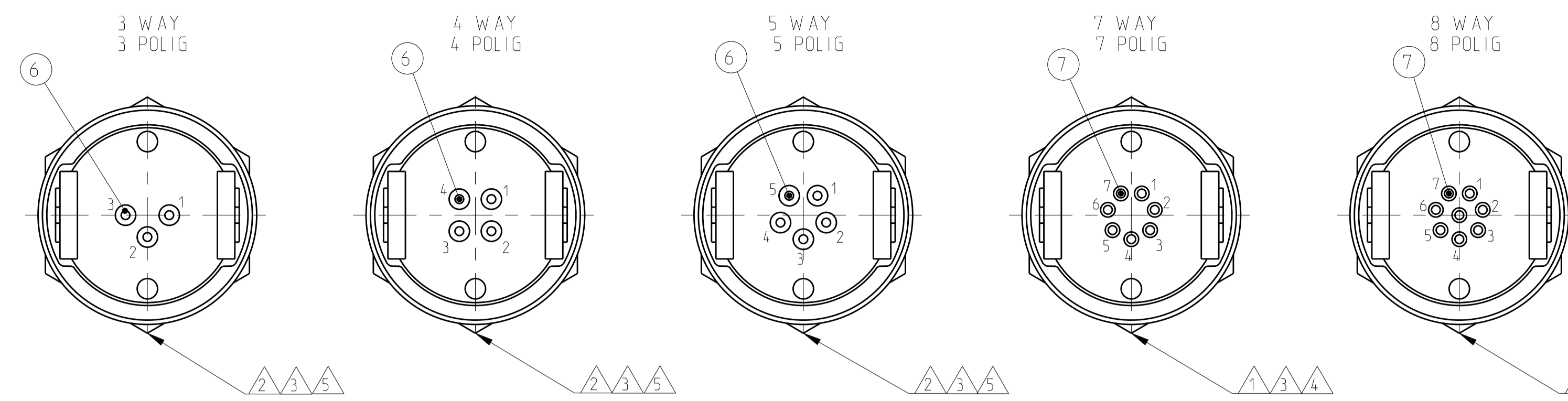
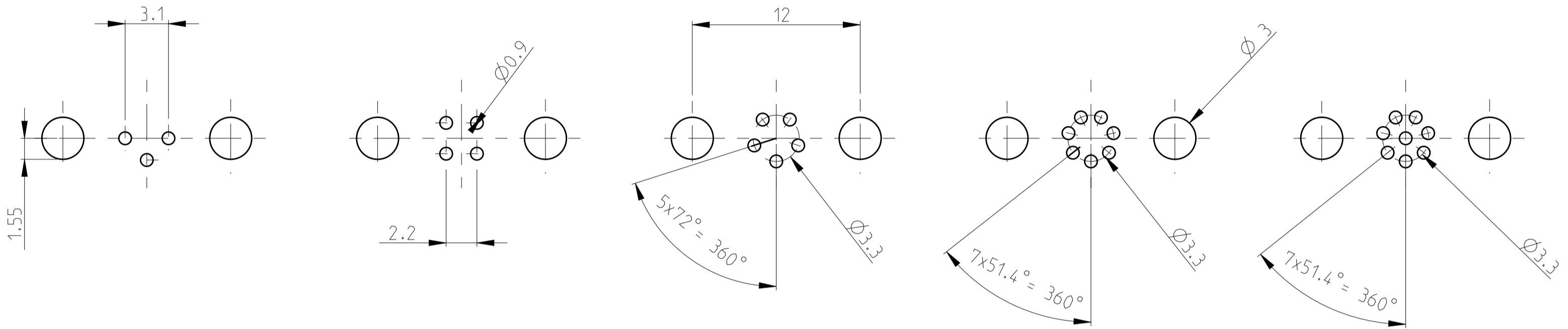


LOC	DIST	REV	DATE	BY	CHK	APPV
A1	-	A3	16 JUL 2012	KH	MS	

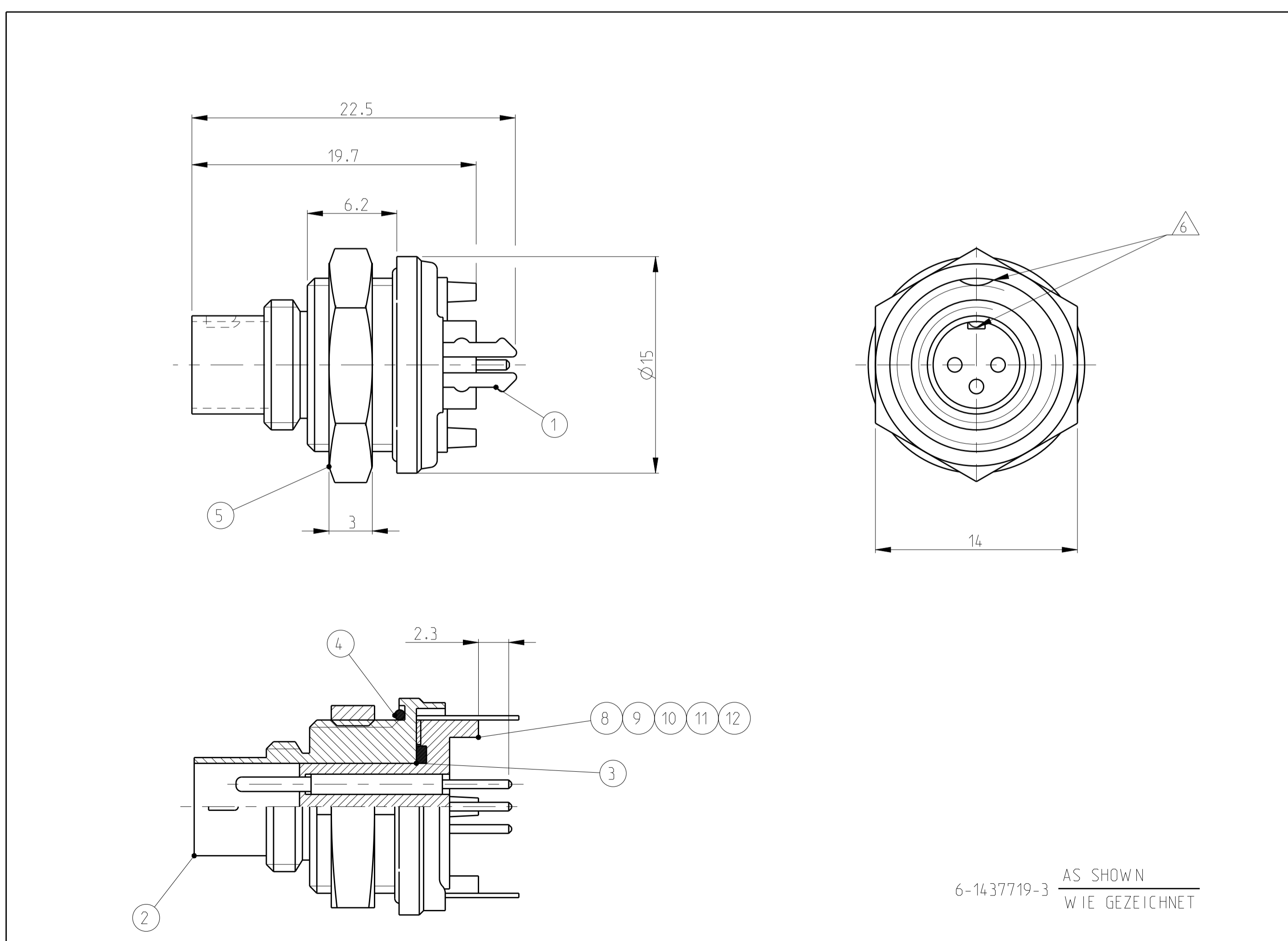


PCB HOLES
PCB THICKNESS 1.6 mm MAX.
PCB LOCHBILD
PCB DICKE 1.6 mm MAX.



REVISIONS	DESCRIPTION	DATE	DWN	APPV
1	REVISED PER ECO-12-012897	16 JUL 2012	KH	MS

MATERIAL / MATERIAL: PBT, UL-94 V2	△7
SHELL MATERIAL / GEHAUSEMATERIAL: CUZN	
FINISH / BESCHICHTUNG: TRIBOR 4 µm	
CODING / KODIERUNG	△6
WIRE GAGE / DRAHTGROESSE IN mm ² : 0.25	△5
WIRE GAGE / DRAHTGROESSE IN mm ² : 0.14	△4
CONTACT RESISTANCE / KONTAKTWIDERSTAND: => 5 mΩ	△3
RATED CURRENT PER CONTACT / NENNSTROM PRO KONTAKT: 3 A	△2
RATED CURRENT PER CONTACT / NENNSTROM PRO KONTAKT: 1 A	△1
SHELL PROTECTION CLASS / SCHUTZKLASSE: IP 65 / DIN 40050	
TERMINATION: SOLDERING / VERBINDUNG: LOETKONTAKTE	
TEST VOLTAGE / PRUEFSPANNUNG: 500 VAC	
OPERATING VOLTAGE / BETRIEBSSPANNUNG: 60 VAC	
OPERATING TEMPERATURE: -40°C TO +80°C / ARBEITSTEMPERATUR: -40°C BIS +80°C	
MATING CYCLES / STECKZYKLEN: 500 MAX.	
TECHNICAL DATA TECHNISCHE DATEN	



TYCO-NO. / TYCO NR.	DESCRIPTION / BESCHREIBUNG	ITEM-NO. / TEIL-NR.
0-14-18049-1	INSULATION TUBE 8 POS. / ISOLIERHUELSE 8 POL.	12
0-14-18048-1	INSULATION TUBE 7 POS. / ISOLIERHUELSE 7 POL.	11
6-14-37719-5	INSULATION TUBE 5 POS. / ISOLIERHUELSE 5 POL.	10
6-14-37719-4	INSULATION TUBE 4 POS. / ISOLIERHUELSE 4 POL.	9
6-14-37719-3	INSULATION TUBE 3 POS. / ISOLIERHUELSE 3 POL.	8
8 7	MALE PIN APPLIED BY PRESSURE / STIFTKONTAKT EINGEPRESST	7
5 4 3	MALE PIN APPLIED BY PRESSURE / STIFTKONTAKT EINGEPRESST	6
1 1 1 1 1	NUT / MUTTER	5
1 1 1 1 1	SEAL / DICHTUNG	4
1 1 1 1 1	SEAL / DICHTUNG	3
1 1 1 1 1	HOUSING / GEHAUSE	2
1 1 1 1 1	GROUND ON PCB SPRING / VERBINDUNGSFEDER ZUR PCB MASSE	1
- - - - -	REVISION OF EACH ASSY NO. (WHEN BLANK, USE DWG REV.)	
QTY REQD PER ASSY		
T01-0570-P08	PARTS LIST / TEILE LISTE	
T01-0570-P07		
T01-0570-P05		
T01-0570-P04		
T01-0570-P03		

THIS DRAWING IS A CONTROLLED DOCUMENT. DATE: 18 JUN 2001. CHECKED: H. SCHERER. DATE: 18 JUN 2001. APPROVED: G. FELDMAYER. DATE: 18 JUN 2001.

STE TE Connectivity

NAME: T01 MALE PLUG CONN. PANEL MNT. PCB VER. 3-8 POS. 180 DGR.
T01 STIFTSTECKER.EINBAU. PCB VER. 3-8 POS. 180 GRAD

SIZE: A1 CAGE CODE: 00779 DRAWING NO: 6-1437719-3 RESTRICTED TO: NUR FUER: -

CUSTOMER DRAWING / KUNDENZEICHNUNG SCALE: - SHEET: 1 OF 1 REV: A3

Mouser Electronics

Authorized Distributor

Click to View Pricing, Inventory, Delivery & Lifecycle Information:

[TE Connectivity:](#)

[6-1437719-5](#)