

ECN#	APP'D. DATE	REV.
10416	TAM	6/3/94
ECO-09-026495	AEG	11DEC09

SAFETY ORGANIZATION(S) :

THIS MODULE HAS BEEN FORMALLY RECOGNIZED, CERTIFIED OR APPROVED BY THE LISTED AGENCY. THEREFORE, ALL TEST/REQUIREMENTS SPECIFIED IN THE LATEST REVISION OF THE FOLLOWING AGENCY STANDARDS HAVE BEEN MET:

UL RECOGNIZED UL 498
 CSA CERTIFIED CSA 22.2, NO.0,0.4, 42
 VDE APPROVED VDE 625

OPERATING SPECIFICATIONS:

LINE VOLTAGE/CURRENT, 6 AMP, 120 VAC
 4 AMP./40°C, 250 VAC
 LINE FREQUENCY: 47-440Hz

RELIABILITY SPECIFICATIONS:

STORAGE TEMPERATURE: -55°C TO +85°C
 HUMIDITY: 21 DAYS @ 40°C 95% RH
 CURRENT OVERLOAD TEST: 6 TIMES RATED CURRENT FOR 8 SECONDS

TEST SPECIFICATIONS:

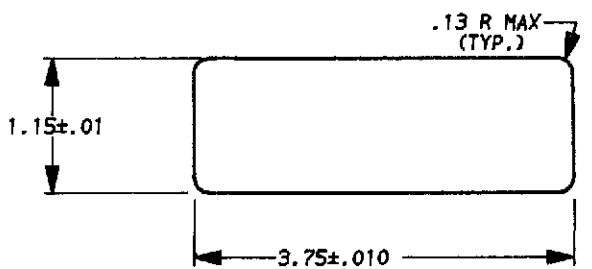
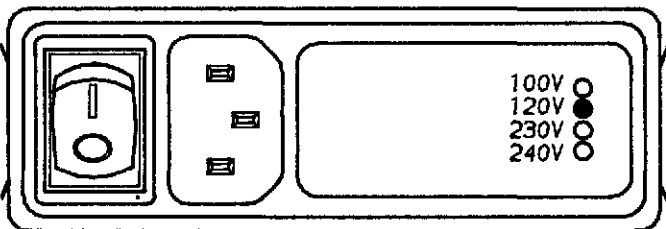
LINE/GROUND AND LINE/LINE 6000MΩ (MIN) AT 100VDC
 INSULATION RESISTANCE: 20°C AND 50% RH

RECOMMENDED RECEIVING INSPECTION HIPOT:

LINES TO GROUND: 1500 VAC FOR 1 MINUTE
 LINE TO LINE: 1450 VDC FOR 1 MINUTE

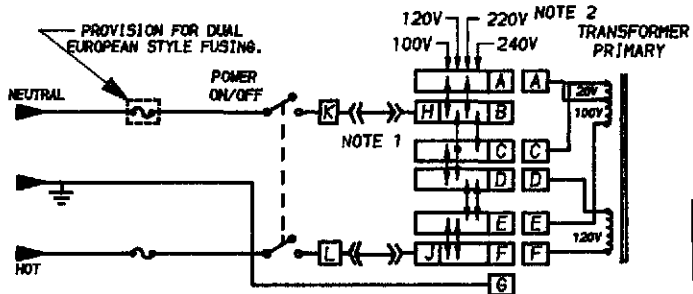
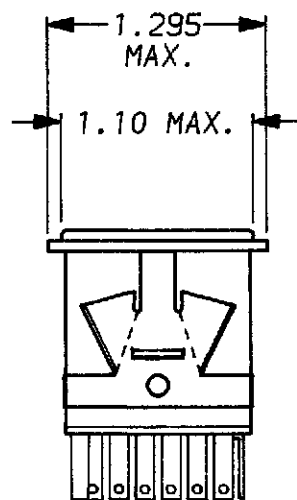
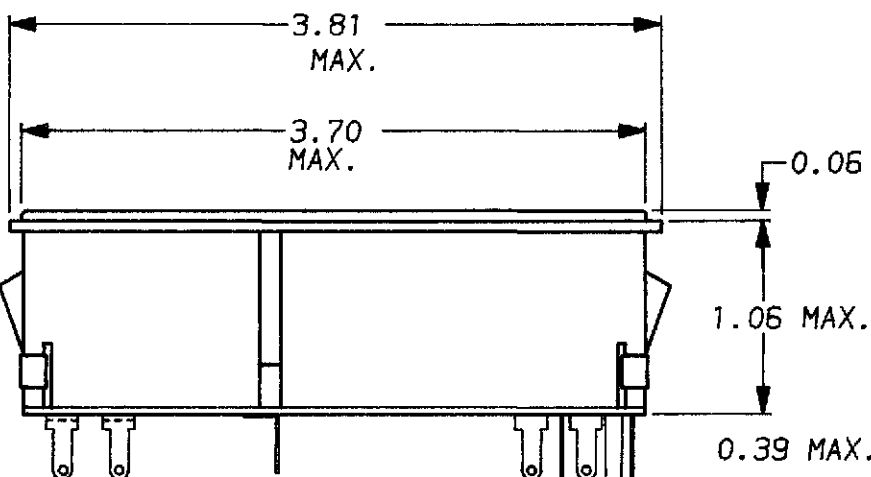
FILTER APPROVAL:

THE BEST WAY TO SELECT AND QUALIFY A FILTER IS FOR YOUR ENGINEERING TO TEST THE UNIT IN YOUR EQUIPMENT.
 U.S. PATENT No. 4,488,201



RECOMMENDED PANEL CUT-OUT

NOT TO SCALE



- NOTES: 1. JUMPERS REQUIRED IF NO FILTER IS USED.
 2. 230 V FOR EUROPEAN APPLICATIONS
 ⚠️ OBSOLETE PARTS: OBSOLETE CIS STREAMLINING PER D.RENAUD/D.SINISI

3-1609128-7 OBSOLETE ⚠️
 3-6609128-7

UNLESS OTHERWISE SPECIFIED,
 TOLERANCE TO BE ±.025
 MATERIAL & FINISH: AS SUPPLIED
 This document is proprietary to CORCOM INC. and is not to be reproduced nor used for manufacturing purposes except on CORCOM'S prior written consent.



POWER LINE FILTER

DATE: 4-18-94	CATALOG NO.	REV.
APPROV.	6VM45C	A1

CAD NO. 6VM45C.00

Mouser Electronics

Authorized Distributor

Click to View Pricing, Inventory, Delivery & Lifecycle Information:

[TE Connectivity:](#)

[6VM4SC](#)