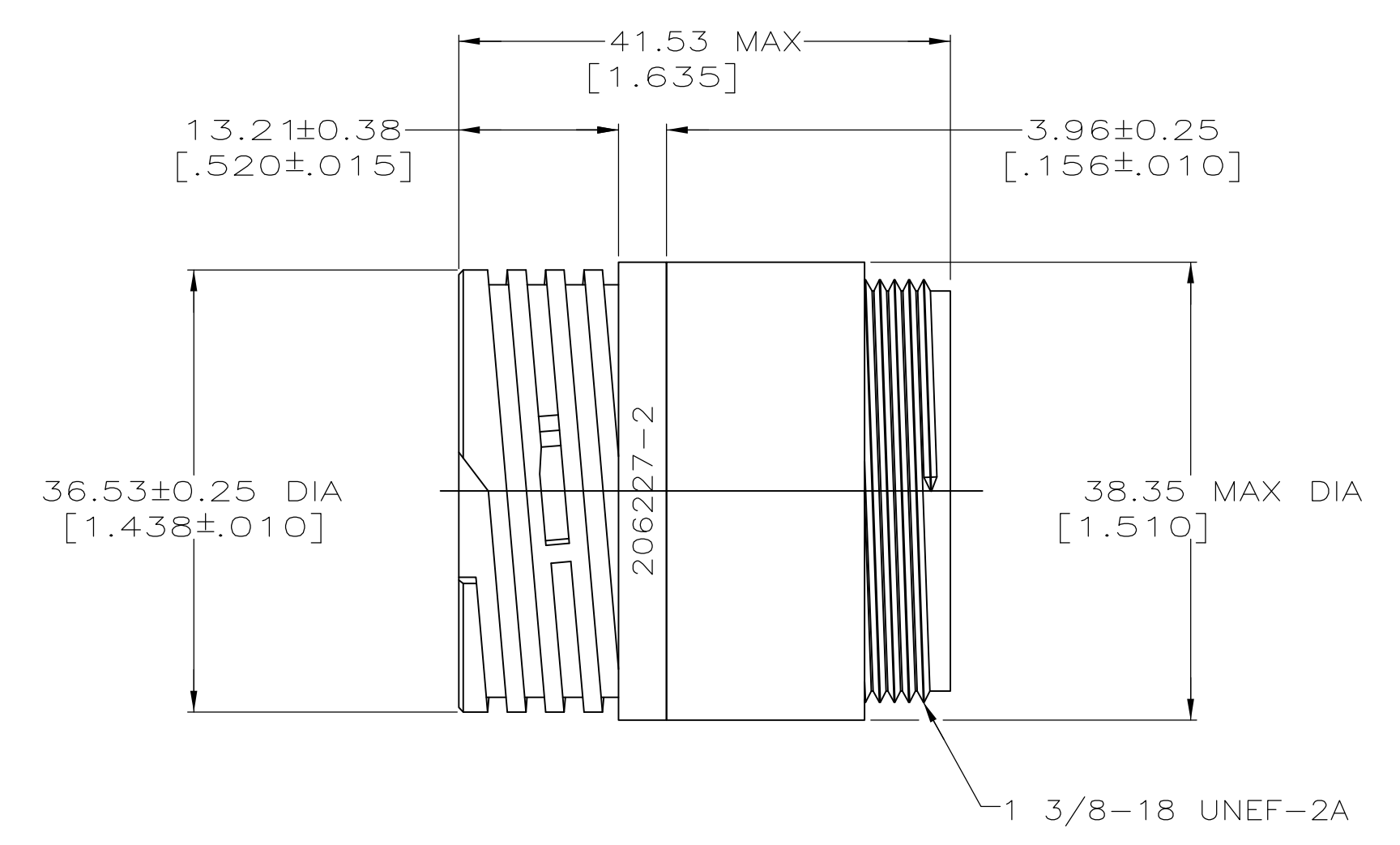
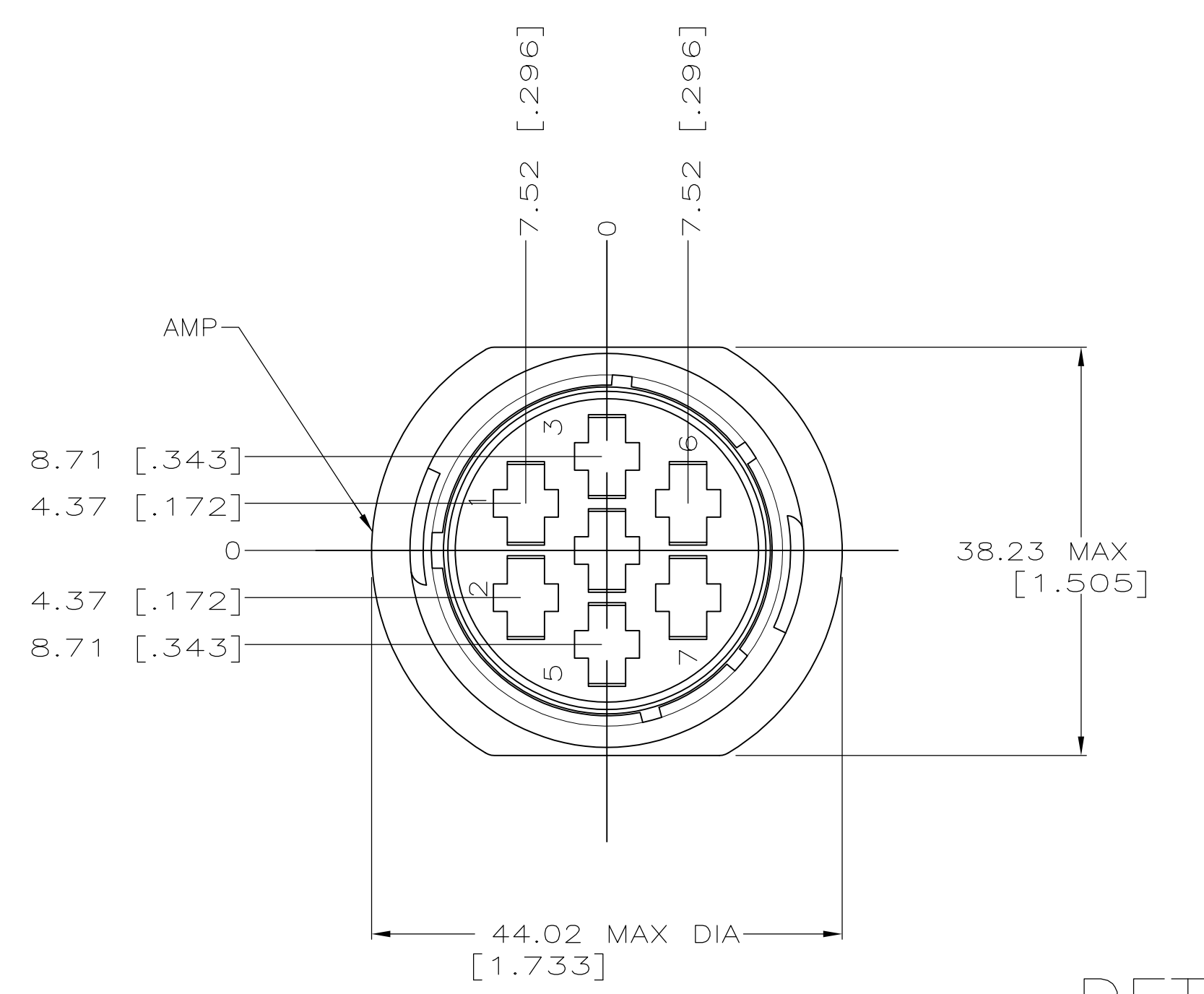


DETAIL A



DETAIL B

1. CAVITY IDENTIFICATION ON FRONT AND REAR FACE.
 2. WILL ACCEPT SEVEN (7) TYPE XII SOCKET CONTACTS.
- ⚠ #4 FASTENER RECOMMENDED FOR MOUNTING.
- ⚠ OBSOLETE PARTS: OBSOLETE CIS STREAMLINING PER D.RENAUD/D.SINISI

⚠ OBSOLETE	4-40 THREADED INSERTS	NO	A	206227-6
	3.81±0.08 [.150±.003]	YES	A	206227-5
	3.81±0.08 [.150±.003]	NO	B	206227-2
	3.81±0.08 [.150±.003]	NO	A	206227-1

C		PERIPHERAL SEAL	SEE DETAIL	PART NUMBER
THIS DRAWING IS A CONTROLLED DOCUMENT.		DWN D.HARDY 05/31/94	TE Connectivity	
DIMENSIONS: INCHES		CHK W.G.LENKER 06/08/94	NAME	
TOLERANCES UNLESS OTHERWISE SPECIFIED:		APVD A.FRANTUM 07/13/94	PRODUCT SPEC	
0 PLC ± -		APPLICATION SPEC		
1 PLC ± -		108-10024		
2 PLC ± 0.13 [.005]		SIZE		
3 PLC ± -		CAGE CODE		
4 PLC ± -		DRAWING NO		
ANGLES ± -		RESTRICTED TO		
MATERIAL NYLON, BLACK	FINISH -	WEIGHT -	A1 00779	SCALE 2:1 SHEET 1 OF 1 REV M2
CUSTOMER DRAWING		SCALE 2:1 SHEET 1 OF 1 REV M2		

Mouser Electronics

Authorized Distributor

Click to View Pricing, Inventory, Delivery & Lifecycle Information:

[TE Connectivity:](#)

[206227-6](#)