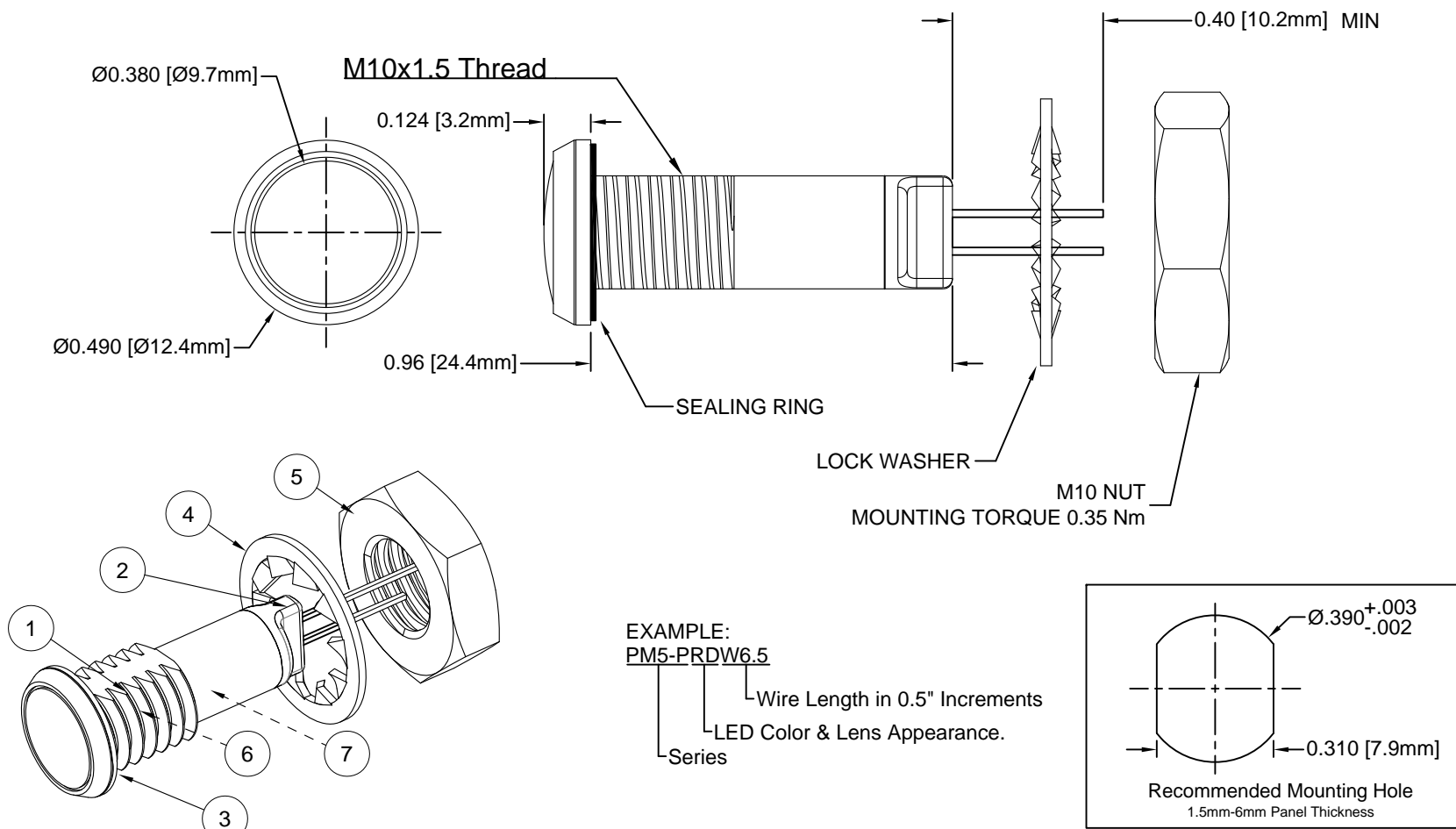



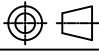
ITEM	Q'TY	PART NUMBER	PART DESCRIPTION
1	1	PM5-PE	5mm Polycarbonate Panel Mount Extended Housing
2	1	PM5-HP	5mm Panel Mount Wide Range Plug
3	1	PM5-VS	5mm Sealing Ring
4	1	WASH-1008	10mm Internal Tooth Lock Washer
5	1	NUT-1003	10mm Thin Nut
6	1	5XX	5mm LED, SEE SHEET #2
7	1	PCBA-1081	8~48V Universal Power Board

REV.	DESCRIPTION	DATE	APPROVED
A	Engineering Release	04/12/12	T. Y.
B	Updated Descriptions	03/21/13	T. Y.
C	Updated LED Optical Characteristics	09/15/15	J. C.



NOTES:


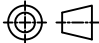
1. SEALED TO IP67 RATING
2. WIDE RANGE VOLTAGE INPUT, 8-48 VAC/VDC
3. BI-POLAR OPERATION
4. ROHS COMPLIANT
5. MOUNTING HARDWARE SHIPPED NON-ASSEMBLED
6. INSERT SEALING RING ON PANEL MOUNT PRIOR TO PANEL INSERTION

STANDARD TOLERANCE (UNLESS OTHERWISE SPECIFIED)		 BIVAR [®] 4 THOMAS, IRVINE, CA. 92618 TEL: (949) 951-8808 FAX: (949) 951-3974	
DECIMALS	ANGULAR		
.X ± .1	X° ± 1°	 TITLE: IP67 Rated Panel Mount Indicator	
.XX ± .02			
.XXX ± .010			
DESIGNED: T. Yin	DATE: 04/12/12	PART NO: PM5-PXXX	REVISION: C
CHECKED: B. Oliver	DATE: 04/12/12	CAGE CODE : 32559	SHEET # 1 OF 2
CAD GENERATED DOCUMENT. DO NOT MEASURE DRAWING.			

REV.	DESCRIPTION	DATE	APPROVED
	SEE SHEET #1		

Assembly Part Number	LED Part Number	Peak Wave Length λ_p (nm)	Emitted Color	Lens Appearance	Electro-Optical Data @ 20mA		Viewing Angle
					Typ Vf (VAC/VDC)	LED Iv (mcd)	
					TYP	TYP	
PM5-PAD	5AD	605	AMBER	WHITE DIFFUSED	8-48	25	120
PM5-PBWD	5BWD0.345	430	BLUE	WHITE DIFFUSED	8-48	1000	120
PM5-PGD	5SGD	568	GREEN	WHITE DIFFUSED	8-48	30	120
PM5-PHD	5HD	625	HE RED	WHITE DIFFUSED	8-48	25	120
PM5-PPGD	5PGD	555	PURE GREEN	WHITE DIFFUSED	8-48	10	120
PM5-PRD	5SRD	645	RED	WHITE DIFFUSED	8-48	40	120
PM5-PYD	5SYD	590	YELLOW	WHITE DIFFUSED	8-48	300	120

Assembly Part Number	LED Part Number	Color Temperature	Emitted Color	Lens Appearance	Electro-Optical Data @ 20mA		Viewing Angle
					Typ Vf (VAC/VDC)	LED Iv (mcd)	
					TYP	TYP	
PM5-PWD	5UWD0.660N	5000K	NEUTRAL WHITE	WHITE DIFFUSED	8-48	1125	120

STANDARD TOLERANCE (UNLESS OTHERWISE SPECIFIED) DECIMALS ANGULAR		 4 THOMAS, IRVINE, CA. 92618 TEL: (949) 951-8808 FAX: (949) 951-3974	
			
DESIGNED: T. Yin	DATE: 04/12/12	TITLE: IP67 Rated Panel Mount Indicator	REVISION: C
CHECKED: B. Oliver	DATE: 04/12/12	PART NO: PM5-PXXX	CAGE CODE : 32559 SHEET # 2 OF 2
CAD GENERATED DOCUMENT. DO NOT MEASURE DRAWING.			

ABSOLUTE MAXIMUM RATINGS (Ta = 25°C)

MAXIMUM POWER DISSIPATION _____ 400 mW
 OPERATING TEMPERATURE RANGE _____ -30°C ~ 85°C
 STORAGE TEMPERATURE _____ -40°C ~ 85°C

Mouser Electronics

Authorized Distributor

Click to View Pricing, Inventory, Delivery & Lifecycle Information:

[BIVAR:](#)

[PM5-PAD](#) [PM5-PBWD](#) [PM5-PHD](#) [PM5-PPGD](#) [PM5-PRD](#) [PM5-PWD](#) [PM5-PYD](#) [PM5-PGD](#)