



120×120×38 mm

San Ace 120W 9WG type

General Specifications

- Material Frame: Aluminum (Black coating), Impeller: Plastic (Flammability: UL 94V-1)
- Expected life See the table below. (L10 life: 90% survival rate for continuous operation in indoor free air at 60°C, rated voltage)
- Motor protection function Locked rotor burnout protection, Reverse polarity protection
For details, please refer to p. 547.
- Dielectric strength 50/60 Hz, 500 VAC, for 1 minute (between lead wire conductors and frame)
- Insulation resistance 10 MΩ or more with a 500 VDC megger (between lead wire conductors and frame)
- Sound pressure level (SPL) At 1 m away from the air inlet
- Storage temperature -30 to +70°C (Non-condensing)
- Lead wire ⊕Red ⊖Black or Blue (Sensor) Yellow
- Mass 410 g
- Ingress protection IP55

Specifications

The models listed below **have pulse sensors**.

Model no.	Rated voltage [V]	Operating voltage range [V]	Rated current [A]	Rated input [W]	Rated speed [min ⁻¹]	Max. airflow [m ³ /min] [CFM]	Max. static pressure [Pa] [inchH ₂ O]	SPL [dB (A)]	Operating temperature [°C]	Expected life [h]		
9WG1212G101-E	12	10.2 to 13.8	0.98	11.76	3600	3.88 137	135 0.542	49	-20 to +70	80000/60°C		
9WG1212E101-E			0.61	7.32	3100	3.34 118	100 0.402	46				
9WG1212H101-E		7 to 13.8	0.38	4.56	2600	2.8 99	70.4 0.283	39			100000/60°C	
9WG1212F101-E			0.28	3.36	2280	2.45 87	54.2 0.218	36				
9WG1212M101-E			0.21	2.52	1950	2.1 74	39.6 0.159	32				
9WG1224G101-E	24	20.4 to 27.6	0.5	12	3600	3.88 137	135 0.542	49		-20 to +70	80000/60°C	
9WG1224E101-E			0.34	8.16	3100	3.34 118	100 0.402	46				
9WG1224H101-E		14 to 27.6	0.22	5.28	2600	2.8 99	70.4 0.283	39				100000/60°C
9WG1224F101-E			0.16	3.84	2280	2.45 87	54.2 0.218	36				
9WG1224M101-E			0.11	2.64	1950	2.1 74	39.6 0.159	32				
9WG1248G101-E	48	40.8 to 55.2	0.25	12	3600	3.88 137	135 0.542	49	-20 to +70		80000/60°C	
9WG1248E101-E			0.17	8.16	3100	3.34 118	100 0.402	46				
9WG1248H101-E			0.11	5.28	2600	2.8 99	70.4 0.283	39				100000/60°C
9WG1248F101-E			0.09	4.32	2280	2.45 87	54.2 0.218	36				
9WG1248M101-E			0.07	3.36	1950	2.1 74	39.6 0.159	32				

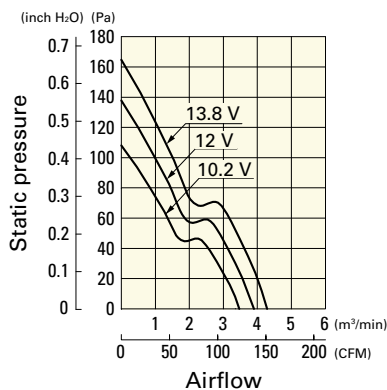
The following sensor and control options are available for selection.

Available for all models. Without sensor Lock sensor

Airflow - Static Pressure Characteristics

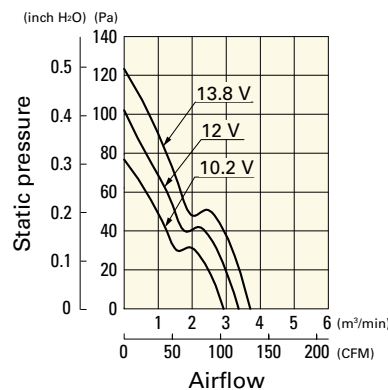
9WG1212G101-E With pulse sensor

Operating voltage range



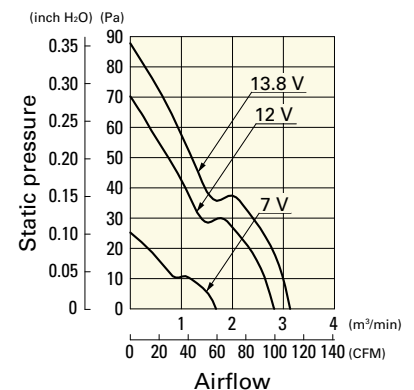
9WG1212E101-E With pulse sensor

Operating voltage range

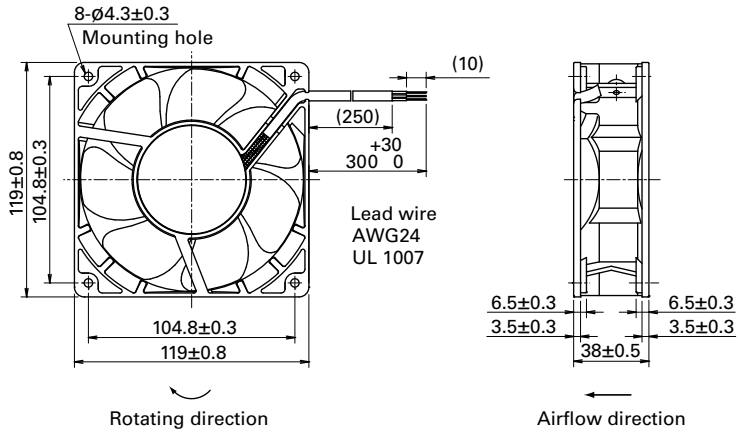


9WG1212H101-E With pulse sensor

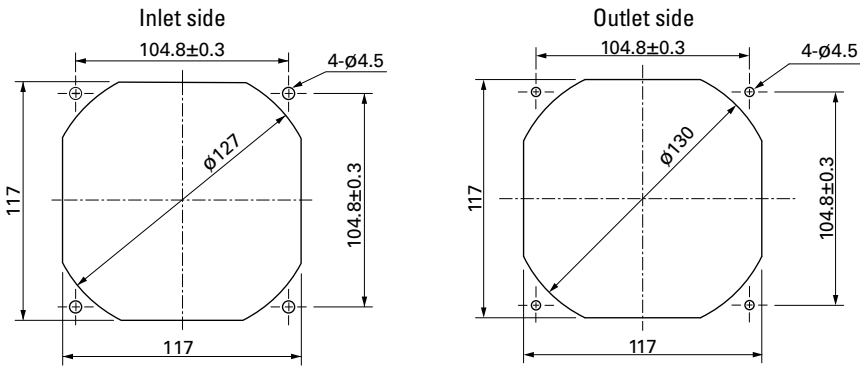
Operating voltage range



Dimensions (unit: mm)



Reference Dimensions of Mounting Holes and Vent Opening (unit: mm)



Options

Finger guards

page: p. 533

Model no.: 109-019E, 109-019K, 109-019C, 109-019H

Resin finger guards

page: p. 539

Model no.: 109-1000G

Mouser Electronics

Authorized Distributor

Click to View Pricing, Inventory, Delivery & Lifecycle Information:

Sanyo Denki:

[9WG1248G101](#) [9WG1224G101](#) [9WG1212G101](#) [9WG1212H102](#) [9WG1248E101](#) [9WG1212E102](#) [9WG1248G102](#)
[9WG1224E101](#) [9WG1224H101](#) [9WG1212E101](#) [9WG1248H1D01](#) [9WG1212F101](#) [9WG1248M1D01](#) [9WG1248F102](#)
[9WG1212F1D01](#) [9WG1248M101](#) [9WG1212H101](#) [9WG1224M1D01](#) [9WG1224H102](#) [9WG1224H1D01](#)
[9WG1212M101](#) [9WG1224M101](#) [9WG1248E102](#) [9WG1248M102](#) [9WG1248G1D01](#) [9WG1248F1D01](#) [9WG1224G102](#)
[9WG1248H101](#) [9WG1212F102](#) [9WG1212M102](#) [9WG1224M102](#) [9WG1212G102](#) [9WG1248H102](#) [9WG1224F1D01](#)
[9WG1224F101](#) [9WG1212M1D01](#) [9WG1224E102](#) [9WG1248F101](#) [9WG1212G1D01](#) [9WG1224F102](#)
[9WG1212E1D01](#) [9WG1212H1D01](#) [9WG1248E1D01](#) [9WG1224G1D01](#) [9WG1224E1D01](#)