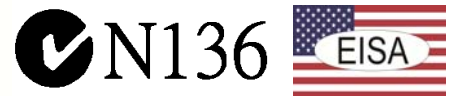




**5 Watt – Compact Folding Blade Adapter
PSA05F Adapter Meets EISA and Level V Efficiency Requirements**



Features

- Folding Blades
- CC & CV Control
- ErP Directive 2009/125/EC level 2 annex 1b Compliant
- 15mm Thick with Blades Folded
- 5 Start Standby Power < 0.03W
- Level V Efficiency Compliance

Applications

- MPEG Players
- PDA
- Personal Electronics
- Digital Camera

Safety Approvals

- cUL/UL
- IEEE1725 Approved
- C-Tick
- CE
- SAA

Mechanical Characteristics

- Length: 60mm (2.36in)
- Width: 47mm (1.85in)
- Height: 15.0mm (0.59in)
- Weight: 80g (3oz)

Output Specifications

Model	DC Output Voltage	Load		Ripple ⁽¹⁾ P-P (max.)	Regulation Line & Load	Efficiency Level
		Min.	Max.			
PSA05F-050Q-H	5V	0A	1.0A	100mV	±5%	V

(1) Measured after 10 minutes with by-pass capacitors 0.1uF/ / 10uF at output connector terminal.

Phihong is not responsible for any error, and reserves the right to make changes without notice. Please visit our website at www.phihong.com for the most up-to-date specifications and contact information.

Input:**AC Input Voltage Rating**

100 to 240V AC

AC Input Voltage Range

90 to 264V AC

AC Input Frequency

47 to 63Hz

Input Current

0.3A (RMS) maximum

Input Power Saving

< 0.03W

Output:**Power**

5W continuous

Efficiency

68% minimum; level V

Ripple and Noise

100mV

Power Saving Mode

<30mW at 115V AC/230V AC and no load

Over-Current Protection

1.1A maximum

Over-Voltage Protection

8.5V DC maximum, Zener Clamping

Short-Circuit Protection

Output can be shorted permanently without damage

Interchangeable Clips

FPBAG-H (FPE, FPK, FPS)

FPB: Brazil FPK: UK
 FPC: China FPN: Argentina
 FPE: Europe FPS: Australia
 FPH: Korea
 (Sold Separately)

Environmental:**Temperature**

Operation 0 to +40°C
 Non-operation -40 to +85°C
 Relative Humidity 10 to 90%

Emissions

FCC Class B part 15
 EN55022 Class B

Immunity

EN61000-4-2 Level 4
 EN61000-4-5 Level 4
 Harmonic: EN61000-3-2 Class A
 Flicker: EN61000-3-3

Dielectric Withstand (Hi-pot) Test

Primary to Secondary: 3000V AC for 1 min., 10mA

Insulation Resistance

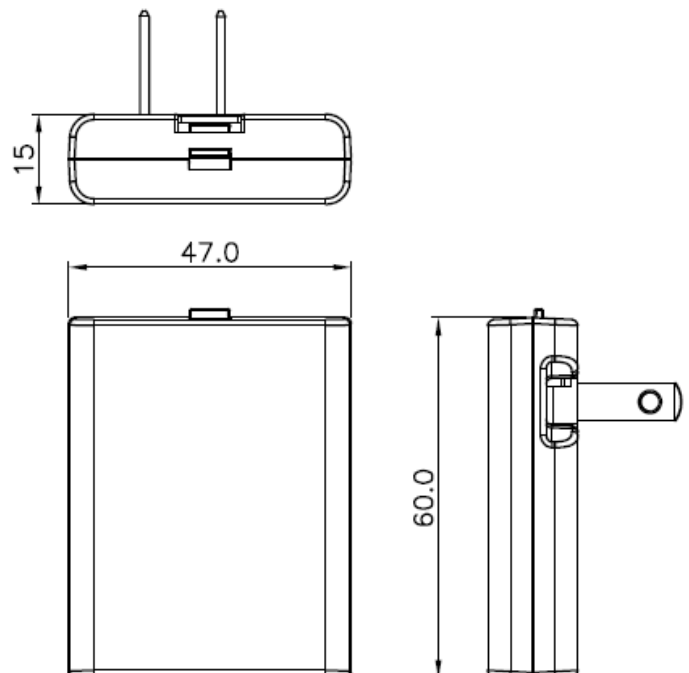
Primary to Secondary: 7 M ohm 500V DC

Reliability

MTBF: 200K hours minimum at 120V AC and max load at 25°C ambient temperature.

DC Output Connector

USB Type A

Dimension Diagram Unit: mm

Mouser Electronics

Authorized Distributor

Click to View Pricing, Inventory, Delivery & Lifecycle Information:

[Phihong:](#)

[PSA05F-050Q-H](#) [PSA05F-050Q\(AG\)-H](#)