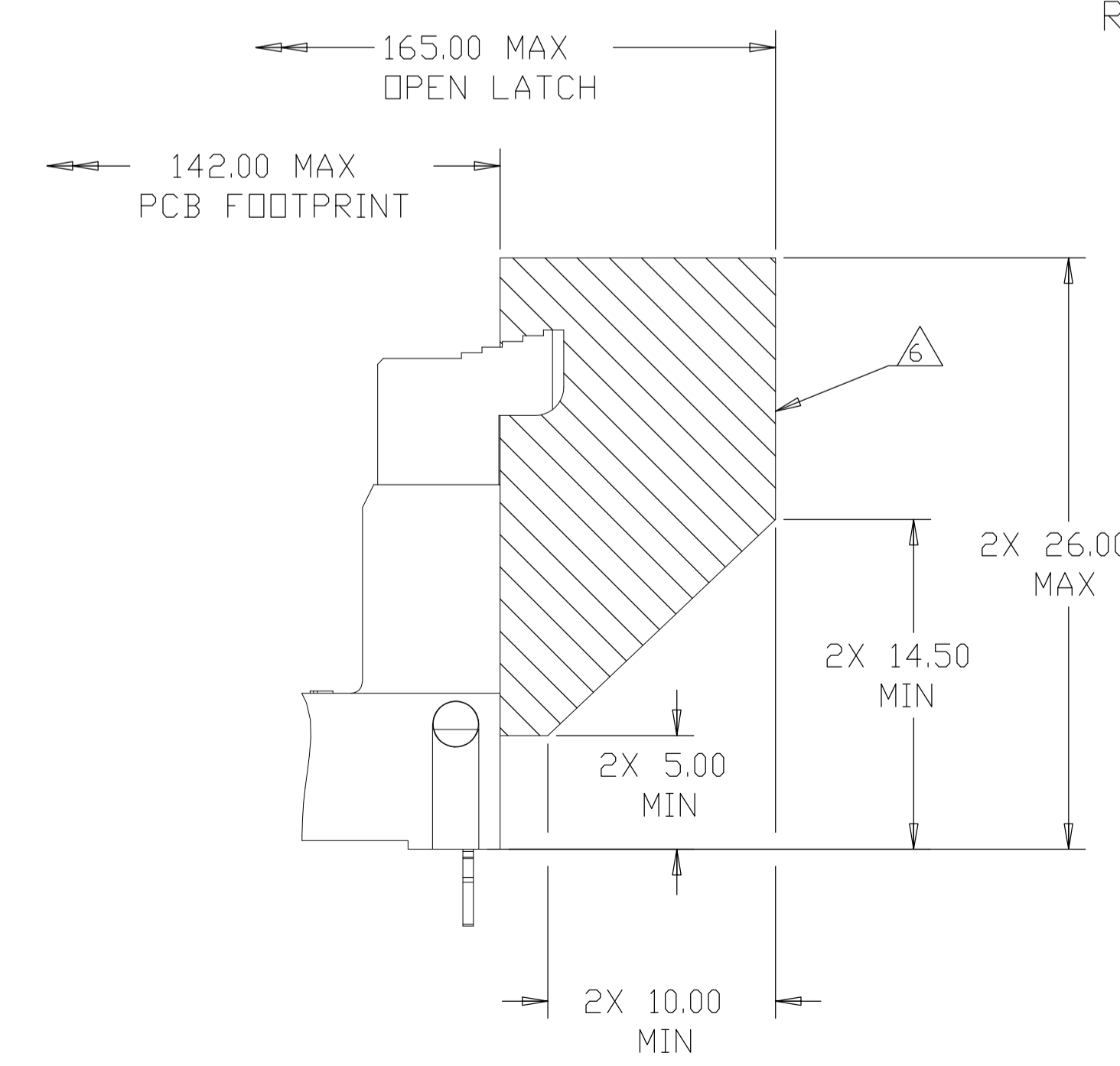


6.85
MAX COMPONENT HEIGHT
IN EXTRACTOR SHADOW
AREA. SEE RECOMMENDED
PCB LAYOUT.

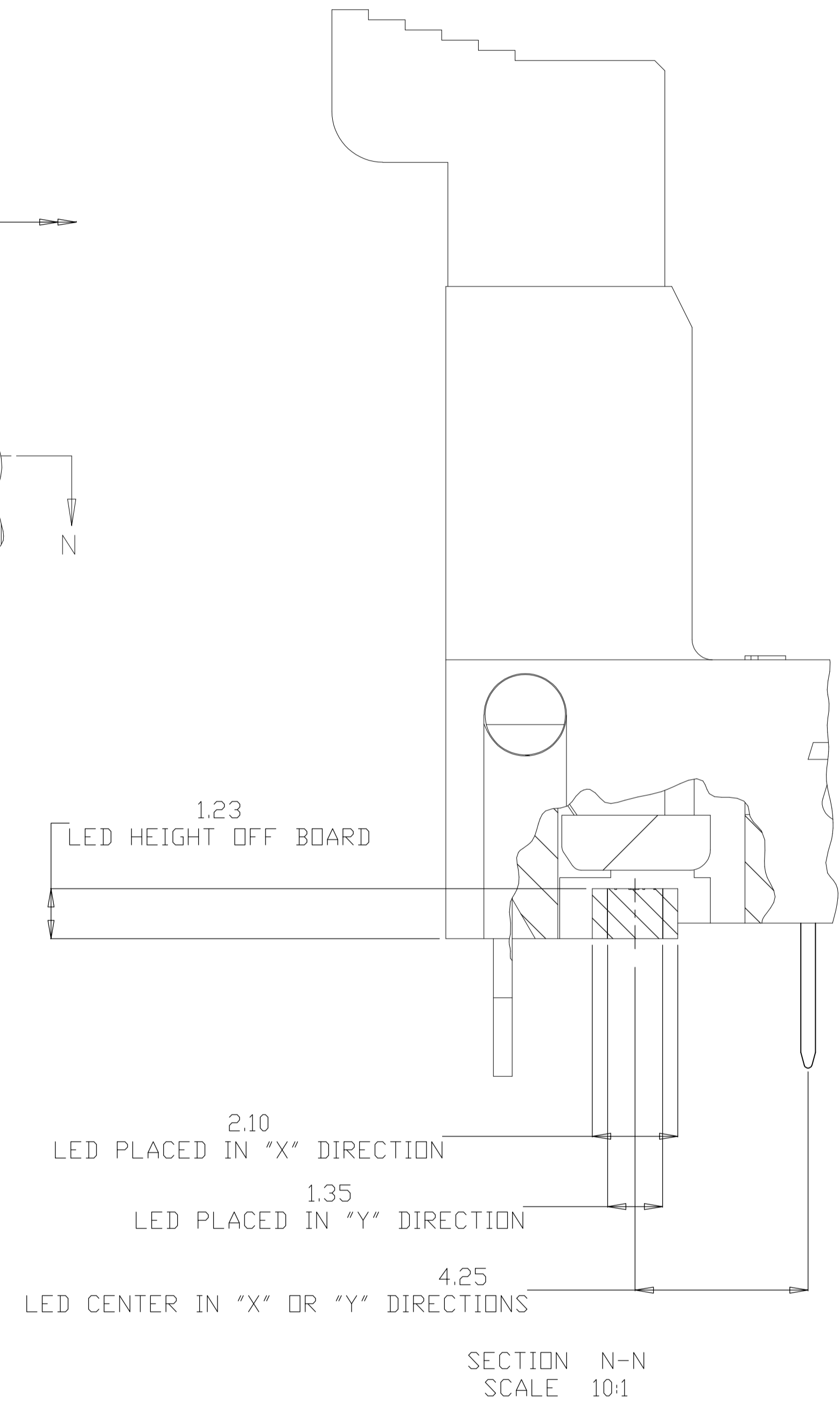
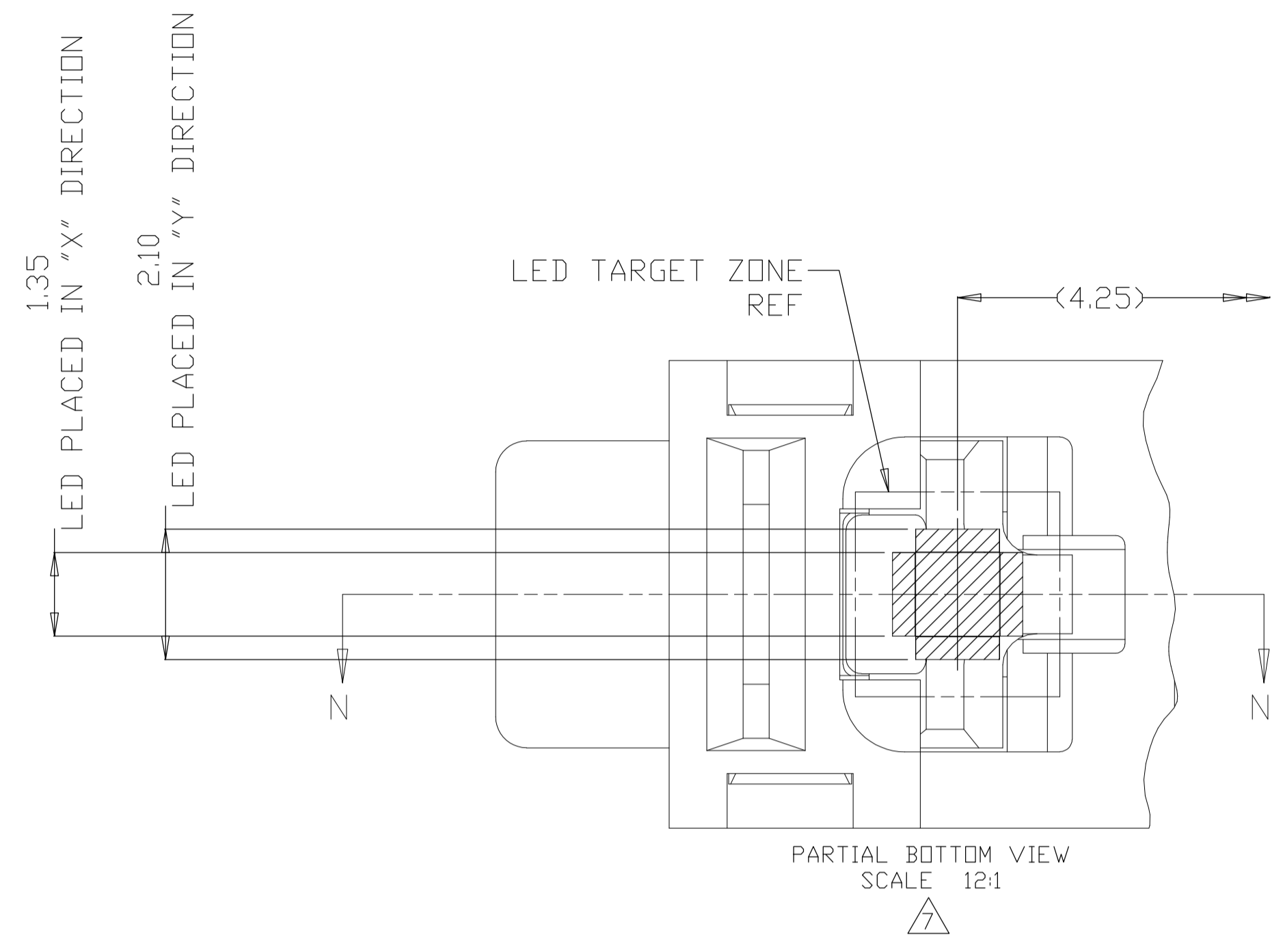
- 2.54 ± 0.20
FOR PRODUCT 6--4&6--5
- 2.67 ± 0.25
FOR 1.60 (.063") THK PCB
- 3.18 ± 0.25
FOR 2.36 (.093") THK PCB
- 4.00 ± 0.25
FOR 3.18 (.125") THK PCB

RETENTION BARB TYPE SHOWN ON ALL SHEET UNLESS OTHERWISE NOTED

- MATERIALS:**
- HOUSING: HIGH TEMPERATURE NYLON, UL94 V-0
 - EXTRACTOR: HIGH TEMPERATURE NYLON, UL94 V-0
 - CONTACTS: COPPER ALLOY
 - RETENTION BARB: BRASS, TIN PLATED
- INTERFACE FINISH:**
- (1) 0.00038 MIN THK GOLD OVER 0.00127 MIN THK NICKEL.
 - (2) 0.00008 MIN THK GOLD OVER 0.00127 MIN THK NICKEL.
 - (3) 0.00076 MIN THK GOLD OVER 0.00127 MIN THK NICKEL.
- FINISHED HOLE SIZE.** 0.15 MAXIMUM ANNULAR RING.
- KEEP OUT ZONE.**
- KEEP OUT AREA RESERVED FOR SOCKET EXTRACTORS, BOTH ENDS.**
- SOLDERTAIL FINISH:**
0.00300 MIN THK MATTE TIN OVER 0.00127 MIN THK NICKEL.
- LED LOCATION AS APPLICABLE PER CUSTOMER.**
- DATUM** [-G-] IS CONNECTOR SIDE SURFACE OF PCB.



THIS DRAWING IS A CONTROLLED DOCUMENT.		DIN	LEO ZHOU	28FEB2007	TE Connectivity		
DIMENSIONS: mm		CHK	STEVEN YAO	28FEB2007			
TOLERANCES UNLESS OTHERWISE SPECIFIED:		APVD	STEVEN YAO	28FEB2007	NAME		
0. PLC ± -		PRODUCT SPEC		SOCKET ASSEMBLY, VERTICAL DDR3 DIMM, SOLDER TAIL, 240 POSITION			
1. PLC ± 0.5		APPLICATION SPEC		108-2256			
2. PLC ± 0.13		SIZE		114-13154			
3. PLC ± 0.013		WEIGHT		A1 00779			
4. PLC ± 0.0001		SCALE		4:1			
ANGLES ± -		SHEET		1 OF 4			
FINISH		CUSTOMER DRAWING		REV H7			

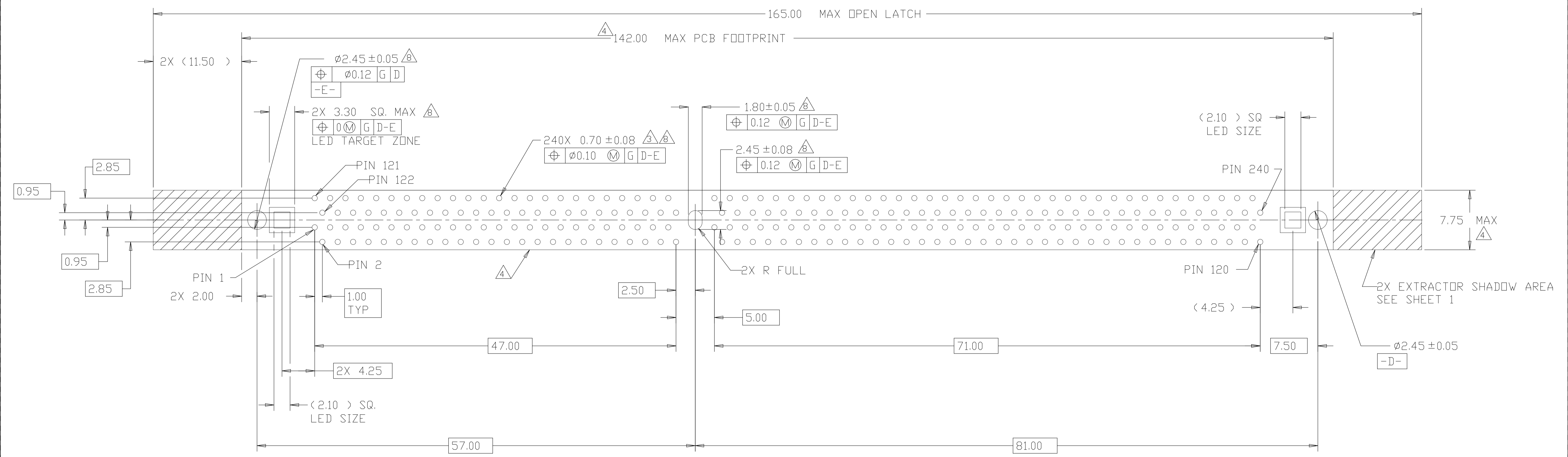


RETENTION BARB	BLACK	BLACK	0.00076 MIN (30u'')	2.54	7-1932000-6
	NATURAL	BLACK		2.54	7-1932000-5
	NATURAL	BLUE(2935U)	0.00038 MIN(15u'')	2.67	7-1932000-2
	NATURAL	PINK(701C)	0.00008 MIN (3u'', FLASH)	2.54	6-1932000-5
		BLUE(284C)		2.54	6-1932000-4
	BLACK	BLACK	0.00076 MIN (30u'')	4.00	5-1932000-2
				3.18	5-1932000-1
	NATURAL	BLACK	0.00076 MIN (30u'')	4.00	4-1932000-8
				3.18	4-1932000-7
				2.67	4-1932000-6
	NATURAL	GREEN(368C) BLUE(284C) ORANGE(021C)	0.00038 MIN (15u'')	2.67	3-1932000-3
				2.67	2-1932000-5
				2.67	2-1932000-1
	BLACK	BLACK	0.00038 MIN (15u'')	3.18	1-1932000-7
				2.67	1-1932000-6
	NATURAL	BLACK	0.00008 MIN(3u'')	4.00	1-1932000-5
				3.18	1-1932000-1
	NATURAL	NATURAL	0.00038 MIN (15u'')	2.67	1-1932000-0
				2.67	1932000-7
				4.00	1932000-6
3.18				1932000-5	
NATURAL	NATURAL	0.00008 MIN (3u'', FLASH)	2.67	1932000-4	
			4.00	1932000-3	
			3.18	1932000-2	
			2.67	1932000-1	
HOUSING STYLE	EXTRACTOR COLOR	HOUSING COLOR	CONTACT GOLD INTERFACE	TAIL LENGTH	PART NUMBER

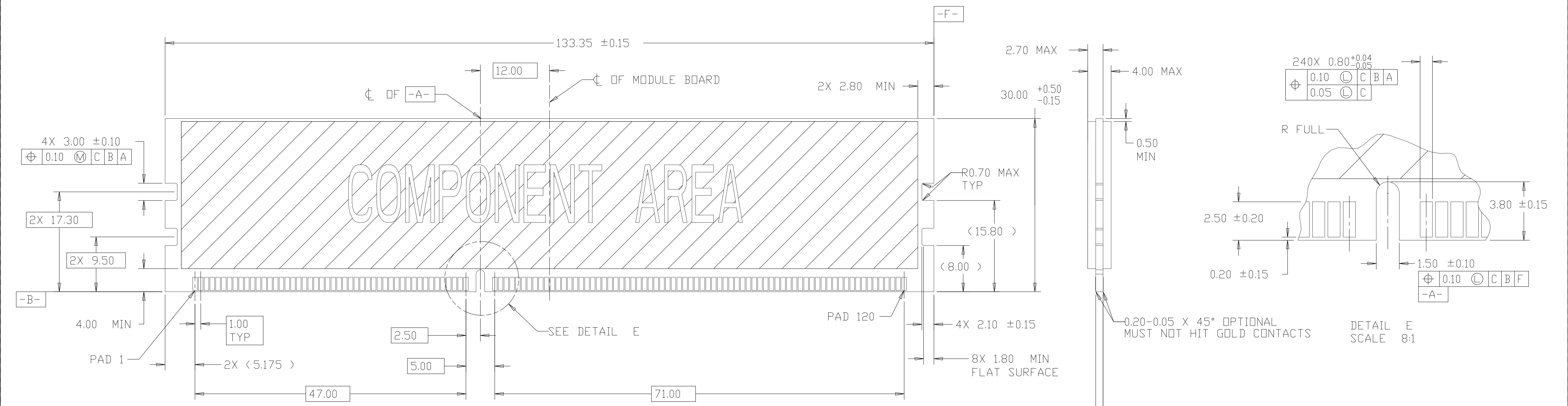
THIS DRAWING IS A CONTROLLED DOCUMENT.

DIMENSIONS: mm	TOLERANCES UNLESS OTHERWISE SPECIFIED:	DIN LEO ZHOU 28FEB2007	STE	TE Connectivity
0 PLC ± -	1 PLC ± 0.5	CHK STEVEN YAO 28FEB2007		
2 PLC ± 0.13	3 PLC ± 0.013	APVD STEVEN YAO 28FEB2007		
4 PLC ± 0.0001	ANGLES ± -			
MATERIAL	FINISH	SIZE A1	00779	1932000
		WEIGHT		
		CUSTOMER DRAWING	SCALE 4:1	SHEET 2 OF 4

SOCKET ASSEMBLY, VERTICAL DDR3 DIMM, SOLDER TAIL, 240 POSITION

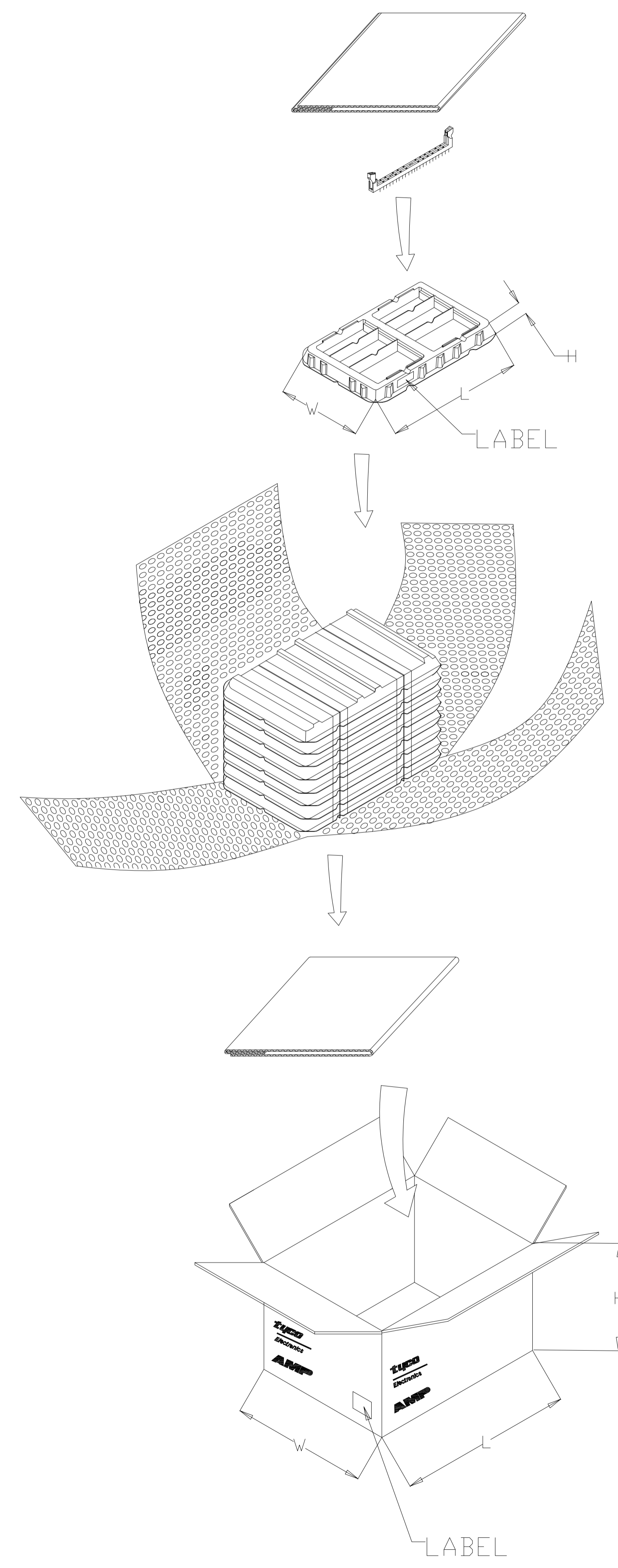


RECOMMENDED PCB LAYOUT
VIEWED FROM CONNECTOR SIDE



RECOMMENDED MODULE LAYOUT
SCALE 3:1
REFER TO JEDEC MO-269 FOR COMPLETE MODULE DETAILS

THIS DRAWING IS A CONTROLLED DOCUMENT.		DIN	LEO ZHOU	28FEB2007	 TE Connectivity
DIMENSIONS: mm		CHK	STEVEN	28FEB2007	
TOLERANCES UNLESS OTHERWISE SPECIFIED:		APVD	STEVEN YAO	28FEB2007	NAME
0. PLC	±	PRODUCT SPEC	SOCKET ASSEMBLY, VERTICAL DDR3 DIMM, SOLDER TAIL, 240 POSITION		
1. PLC	± 0.50	APPLICATION SPEC	SIZE	CAGE CODE	DRAWING NO
2. PLC	± 0.13		A1	00779	1932000
3. PLC	± 0.013	WEIGHT	CUSTOMER DRAWING		
4. PLC	± 0.0001	SCALE	4:1		
ANGLES	±	SHEET	3 OF 4		
		REV	7		



BOTTOM TRAY

TRAY

CARTON

NOTES:

1. MATERIAL:
 - 1.1 TRAY: PVC
 - 1.2 SHIPPING CARTON : CORRUGATED FIBERBOARD
2. DIMENSION :
 - 2.1 TRAY : L=363, W=255, H=33
 - 2.2 SHIPPING CARTON : L=375, W=265, H=280
3. QUANTITY :
 - 3.1 PRIMARY PACKING : 50 PCS/TRAY
 - 3.2 SECONDARY PACKING : 8 TRAY/CARTON(400PCS)
4. WEIGHT :
 - 4.1 NET WEIGHT : 3.76 KG
 - 4.2 GROSS WEIGHT: 6.00 KG

THIS DRAWING IS A CONTROLLED DOCUMENT.		DIN LEO ZHOU 28FEB2007		TE Connectivity	
DIMENSIONS: mm		CHK STEVEN 28FEB2007			
TOLERANCES UNLESS OTHERWISE SPECIFIED:		APVO STEVEN YAO 28FEB2007		NAME	
0. PLC ± -		PRODUCT SPEC		SOCKET ASSEMBLY, VERTICAL DDR3 DIMM, SOLDER TAIL, 240 POSITION	
1. PLC ± 0.50		APPLICATION SPEC		SIZE CAGE CODE DRAWING NO	
2. PLC ± 0.13		WEIGHT		A1 00779 C=1932000	
3. PLC ± 0.013		CUSTOMER DRAWING		SCALE -- SHEET 4 OF 4 REV H7	
4. PLC ± 0.0001					
ANGLES ± -					
MATERIAL - FINISH -					

Mouser Electronics

Authorized Distributor

Click to View Pricing, Inventory, Delivery & Lifecycle Information:

[TE Connectivity:](#)

[4-1932000-8](#)