

MICRO SWITCH
a Honeywell Division

FED. MFG. CODE 91929

SWITCH-ENCLOSED

CATALOG LISTING
1EN417-R3

CATALOG LISTING
1EN417-R3

PAGE 1 OF 1

ISSUE
2

REVISIONS
A PR-23871
GRT
5 MAR 99

RELEASE NO. PR-23871 REPLACES

CHECK

CHECK

CHECK

CHECK

CHECK

CHECK

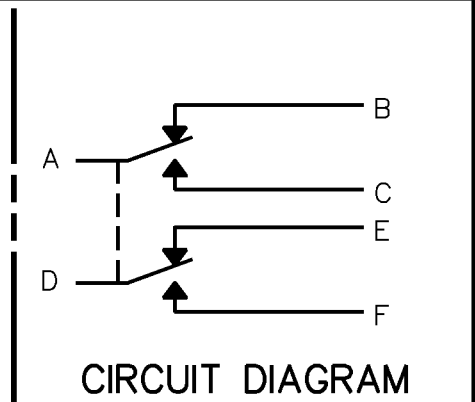
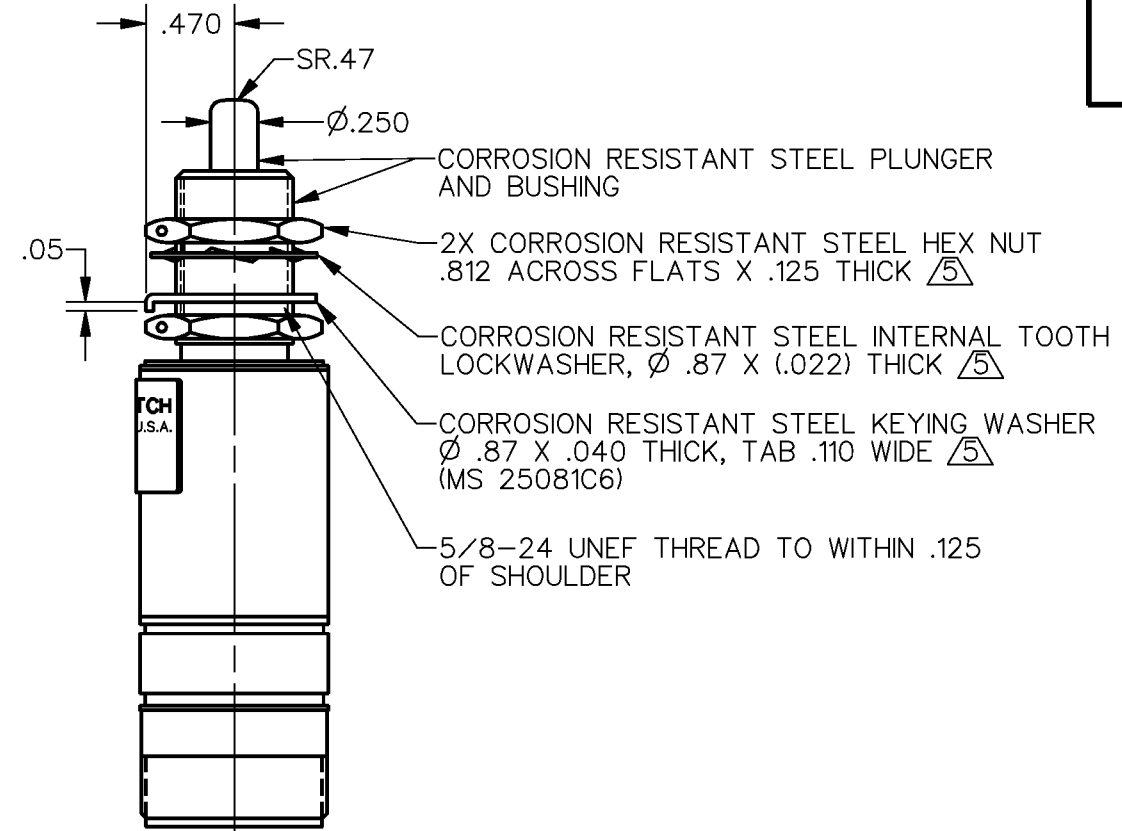
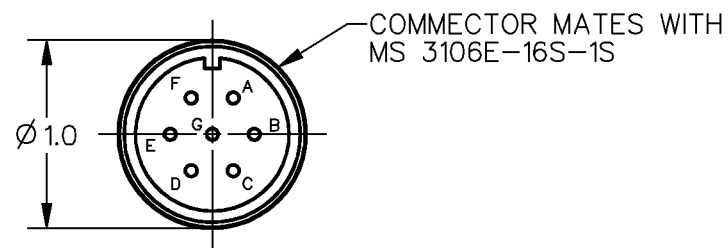
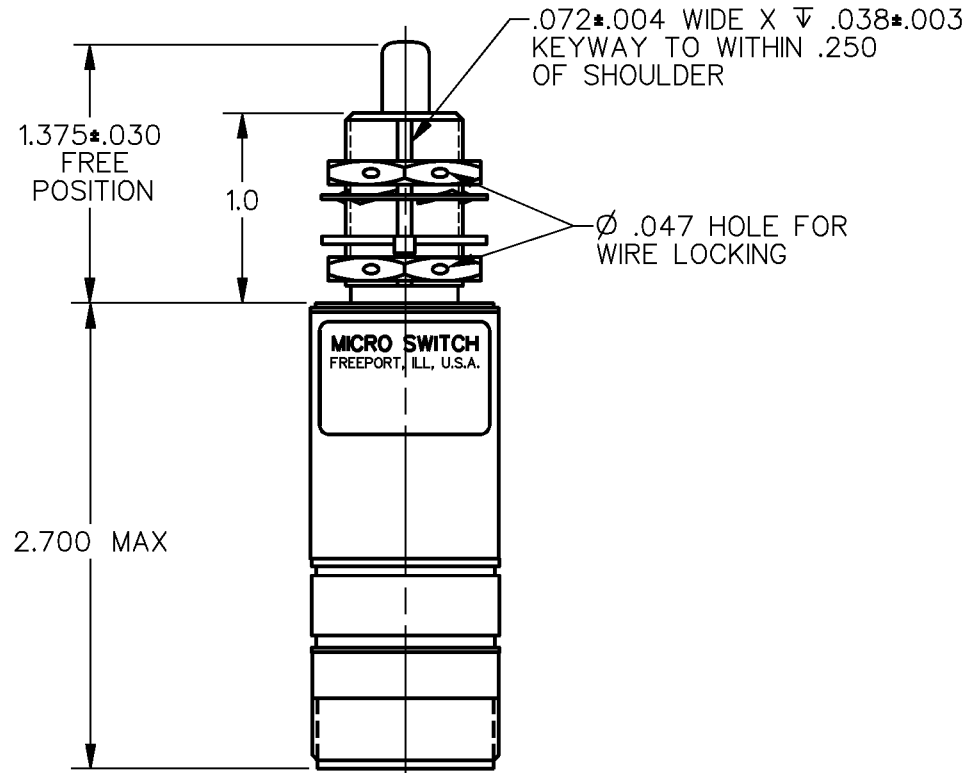
CHECK

CHECK

CHECK

DDM/CAD
DRAWN

GRT



THIS DRAWING COVERS A PROPRIETARY ITEM AND IS THE PROPERTY OF MICRO SWITCH, A DIVISION OF HONEYWELL. THIS DRAWING IS NOT TO BE COPIED OR USED WITHOUT THE APPROVAL OF MICRO SWITCH

CHARACTERISTICS	
OPERATING FORCE	6-12 LB
FULL OVERTRAVEL	30 LB MAX
RELEASE FORCE	4 LB MIN
PRETRAVEL	.040 MAX
DIFFERENTIAL TRAVEL	.020 MAX
OVERTRAVEL	.230 MIN

ELECTRICAL DATA		
CONTACT ARRANGEMENT 2X S P D T		
LOAD	28 VDC (6)	
	SEA LEVEL	50,000 FT
RES	1.0	
IND	0.5	

THIRD ANGLE PROJECTION	
SCALE	FULL
DO NOT SCALE PRINT	
UNLESS OTHERWISE SPECIFIED TOLERANCES ARE	
ONE PLACE	(.0) ±.030
TWO PLACE	(.00) ±.015
THREE PLACE	(.000) ±.005
ANGLES	±
WEIGHT	

- NOTES
- ENCLOSURE FINISHED WITH GREEN EPOXY BASED ENAMEL COLOR NO.34151 PER FEDERAL STANDARD 595
 - SWITCH SEALED PER MIL-PRF-8805 SYMBOL 4
 - CIRCUIT DIAGRAM, CATALOG LISTING, DATE CODE AND FEDERAL MFG. CODE ARE SHOWN ON NAMEPLATE
 - COINCIDENCE OF OPERATING AND RELEASING POINTS: .010 OF PLUNGER TRAVEL
 - HARDWARE MAY BE PACKED UNASSEMBLED PER MIL-PRF-8805
 - BASIC SWITCHES HAVE GOLD CONTACTS

ANSI Y14.5M-1982 APPLIES

Mouser Electronics

Authorized Distributor

Click to View Pricing, Inventory, Delivery & Lifecycle Information:

[Honeywell:](#)

[1EN417-R3](#)