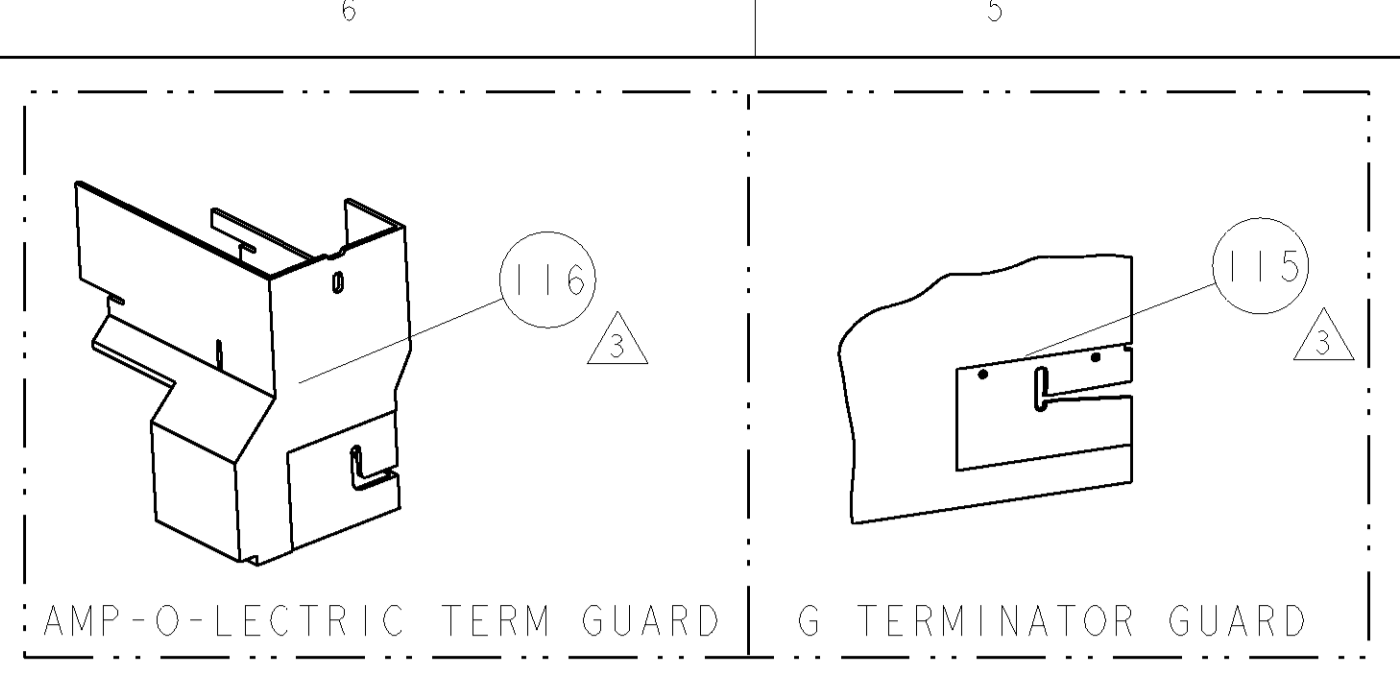


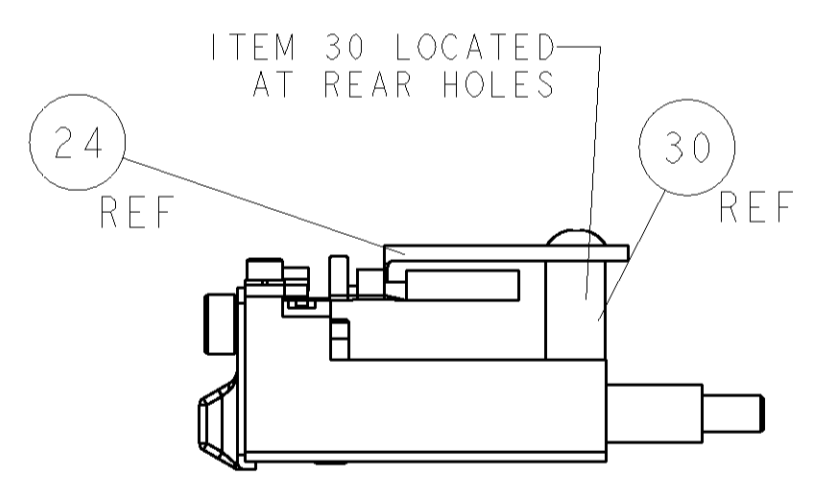
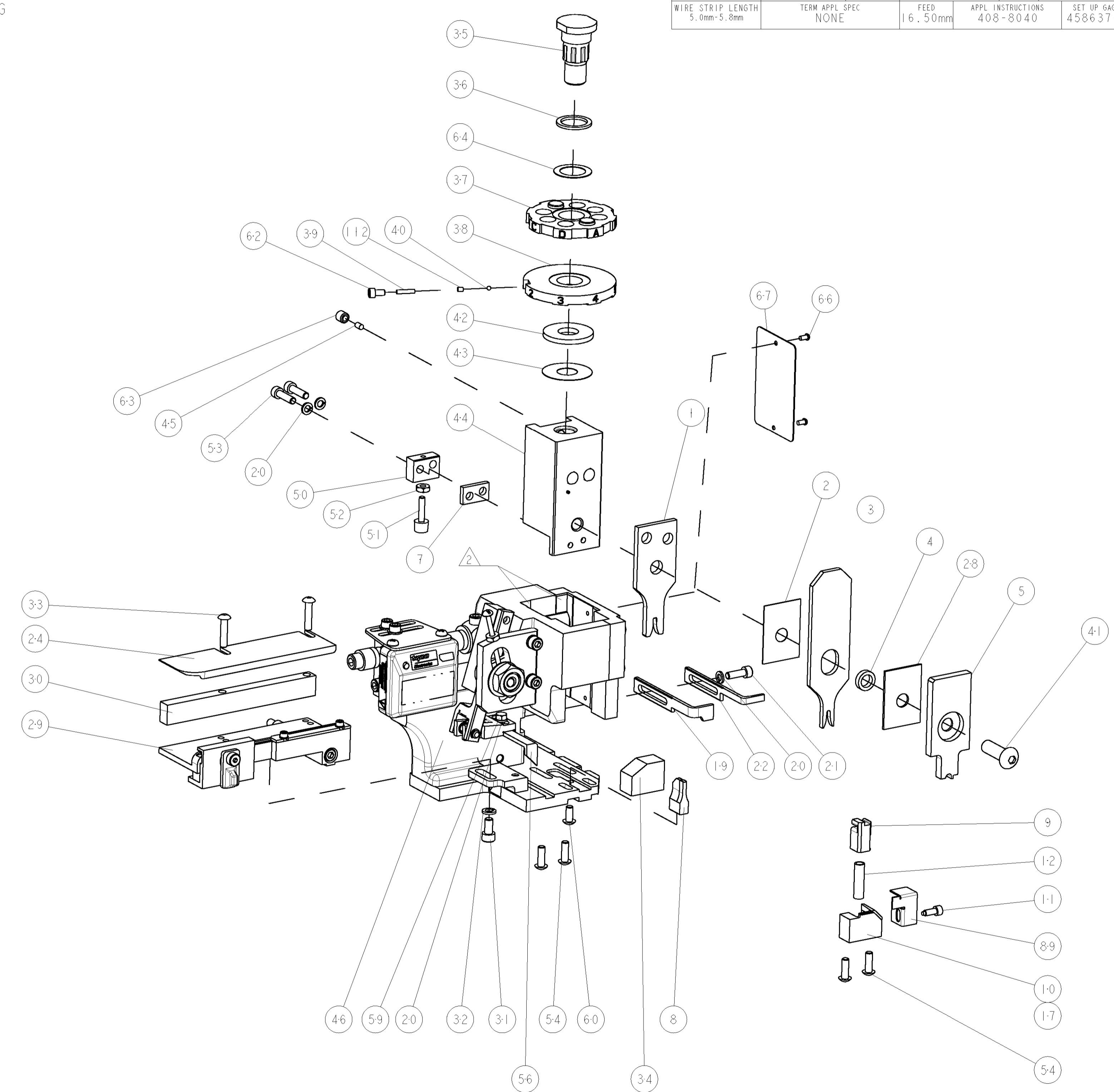
PART NUMBER	REV	FIRST USED	POWER UNIT	FEED TYPE	DESCRIPTION
1852245-1	A	122500-1	LEADMAKER	POST FEED	CUTS CARRIER
1852245-2	A	565435-5	BENCH MODEL K	PRE FEED	CUTS CARRIER
1852245-3	A	354500-1	BENCH MODEL G	PRE FEED	CUTS CARRIER
1852245-6	A	122500-1	LEADMAKER	POST FEED	CONTINUOUS CARRIER
7-1852245-7	A	-	-	-	SPARE PARTS



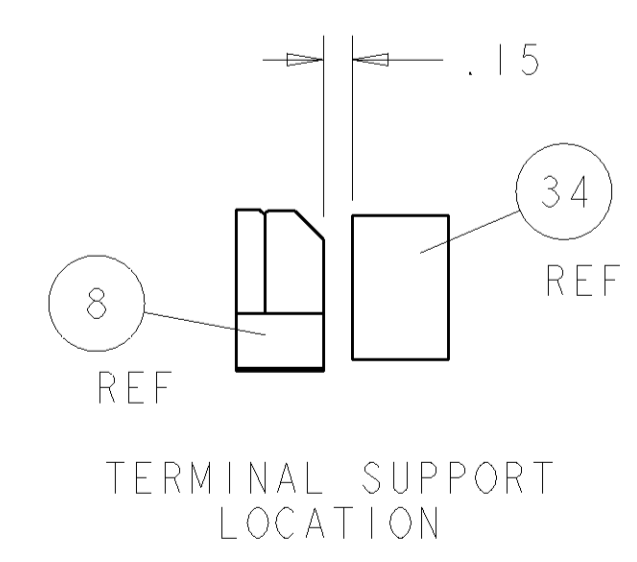
TYCO PN		COMP PN		PACKARD TERMINAL-PACKARD CRIMP SPECS	
1949020-1	-	15465511	-	CRIMP HEIGHT	
-	-	-	-	WIRE SIZE	
-	-	-	-	A	1.50±0.05mm [.059±.002]
-	-	-	-	B	-
-	-	-	-	C	-
-	-	-	-	D	-
CRIMP		SIZE		TYPE	
-	-	-	-	-	-
-	-	-	-	WIRE	2.21mm [.087]
-	-	-	-	INSUL	2.54mm [.100]
WIRE STRIP LENGTH		TERM APPL SPEC		FEED	
5.0mm-5.8mm		NONE		16.50mm	
				APPL INSTRUCTIONS	
				408-8040	
				SET UP GAGE	
				458637-1	

LOC	DIST	REV	DESCRIPTION	DATE	DWN	APPR
A	66		RELEASED	31MAR2006	BH	BH

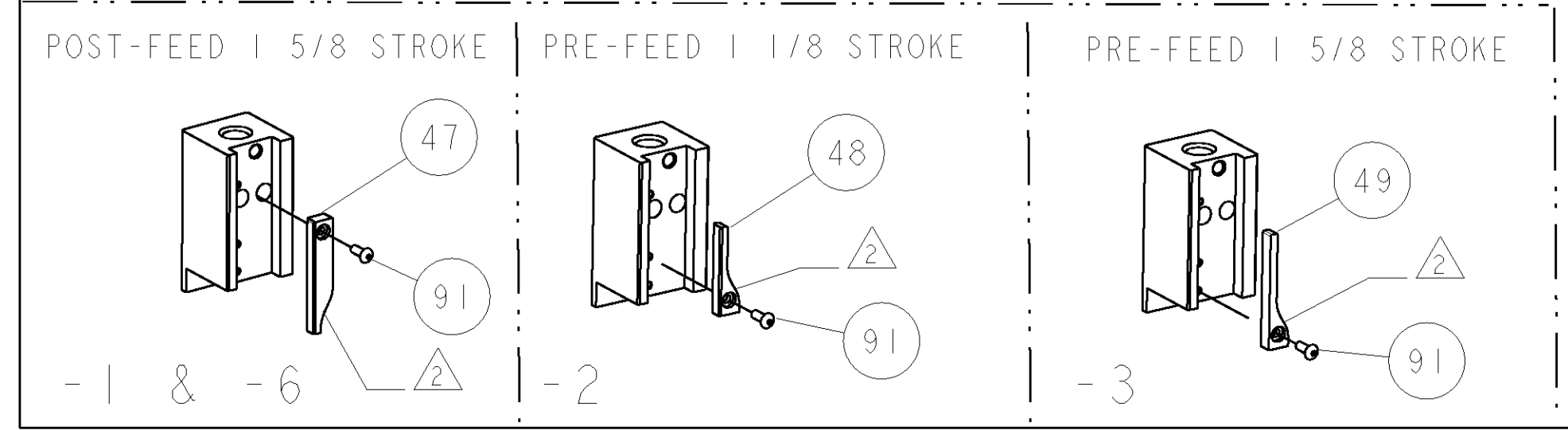
- △ RECOMMENDED SPARE PARTS
- △ GREASE LIGHTLY
- △ GUARD MUST BE IN PLACE WHEN OPERATING APPLICATOR IN A BENCH MACHINE



FEED TRACK POSITION



QTY	REV	DESCRIPTION	ITEM NO					
-	2	2	2	2	-	1-354779-8	PIN, WIRE DISC, .3080	126
-	-	-	REF	-	-	455749-1	GUARD WINDOW	116
-	-	-	REF	-	-	679532-1	INSERT, GUARD	115
-	-	-	-	-	-	690603-1	SPRING ASSIST AMP-O-MATOR APPLICATOR	112
-	-	-	-	-	-	1-21002-7	SCR, BTN SKT HD CAP 6-32 X .375	91
-	-	-	-	-	-	318563-1	GUARD, FRONT CHIP	89
-	-	-	-	-	-	4088040	SF APPL INST 408-8040	72
-	-	-	-	-	-	217238-1	GENERAL INSTRUCTION PKG	71
-	-	-	-	-	-	461264-1	PLATE, IDENTIFICATION	67
-	2	2	2	2	-	21017-2	SCREW, DRIVE	66
-	-	-	-	-	-	986950-1	WASHER, FLAT PRECISION	64
-	-	-	-	-	-	21009-2	SCR, SET, SELF LOCKING 1/4-20 X .250	63
-	-	-	-	-	-	23030-1	SCR, SKT HD CAP 6-32 X .25	62
-	-	-	-	-	-	22733-8	SCR, BHSC, SELF-LOCKING, 8-32 X .375	60
-	-	-	-	-	-	2-22603-0	SCR, HEX HD CAP 8-32 X .312	59
-	-	-	-	-	-	458537-2	PAWL, FEED	56
-	4	4	4	4	-	2-21002-2	SCR, BTN SKT HD CAP 8-32 X .500	54
-	2	2	2	2	-	2-21000-8	SCR, SKT HD CAP 8-32 X .625	53
-	-	-	-	-	-	21018-5	NUT, HEX, REG 6-32	52
-	-	-	-	-	-	811242-2	BUMPER, HOLD DOWN	51
-	-	-	-	-	-	690753-1	SPACER, TONKER	50
-	-	-	-	-	-	690602-6	CAM, PRE FEED, 1 5/8	49
-	-	-	-	-	-	690602-5	CAM, PRE FEED, 1 1/8	48
-	-	-	-	-	-	690501-4	CAM, POST FEED, 1 5/8	47
-	-	-	-	-	-	459456-1	APPL. BASIC SUB ASSY (SIDE WISE MOCA)	46
-	-	-	-	-	-	690191-1	PLUG, NYLON	45
-	-	-	-	-	-	455673-1	RAM, SIDE FEED	44
-	-	-	-	-	-	690125-1	SHIM SUB-ASSY	43
-	-	-	-	-	-	690124-1	WASHER, RAM (.115)	42
-	-	-	-	-	-	7-21002-9	SCR, BTN SKT HD CAP 5/16-24 X 1.00	41
-	-	-	-	-	-	23241-6	BALL, STEEL	40
-	-	-	-	-	-	690170-1	SPRING, COMPRESSION	39
-	-	-	-	-	-	690142-1	DISC, INSULATION	38
-	-	-	-	-	-	354777-1	WIRE DISC, ASSEMBLY	37
-	-	-	-	-	-	22480-5	SPRING, COMPRESSION	36
-	-	-	-	-	-	690212-1	POST, RAM	35
-	-	-	-	-	-	690786-6	TERMINAL SUPPORT	34
-	2	2	2	2	-	2-21002-4	SCR, BTN SKT HD CAP 8-32 X .750	33
-	-	-	-	-	-	21024-5	WASHER, SPRG LOCK, REG NO 10	32
-	-	-	-	-	-	3-21000-4	SCR, SKT HD CAP 10-32 X .375	31
-	-	-	-	-	-	1320908-8	SPACER, STRIP GUIDE	30
-	-	-	-	-	-	1633091-3	ASSEMBLY, STRIP GUIDE	29
-	-	-	-	-	-	1-455888-0	SPACER, CRIMPER	28
-	-	-	-	-	-	1320928-1	PLATE, STRIP GUIDE	24
-	-	-	-	-	-	690472-2	STRIPPER	22
-	-	-	-	-	-	2-21000-7	SCR, SKT HD CAP 8-32 X .500	21
-	4	4	4	4	-	21024-4	WASHER, SPRG LOCK, REG NO 8	20
-	-	-	-	-	-	691353-1	STRIPPER	19
-	-	-	-	-	-	679625-1	SHEAR HOLDER, FRONT (NO CUT)	17
-	-	-	-	-	-	3-22280-3	SPRING, COMPRESSION	12
-	-	-	-	-	-	690461-1	STOP, SHEAR	11
-	-	-	-	-	-	690459-1	SHEAR HOLDER, FRONT	10
-	-	-	-	-	-	454276-2	FLOATING SHEAR, FRONT	9
1	1	1	1	1	-	6-1633116-7	ANVIL, COMBINATION	8
-	-	-	-	-	-	5-240641-2	SPACER	7
-	-	-	-	-	-	1-455889-4	DEPRESSOR, SHEAR	5
-	-	-	-	-	-	238011-2	BLOCK, CRIMPER SPACER	4
1	1	1	1	1	-	4-456135-8	CRIMPER, INSULATION O PREMIUM	3
-	-	-	-	-	-	455888-3	SPACER, CRIMPER	2
1	1	1	1	1	-	3-1490019-7	CRIMPER, WIRE PREMIUM	1



DIMENSIONS:		TOLERANCES UNLESS OTHERWISE SPECIFIED:		MATERIAL:		FINISH:	
INCHES		0 PLC	±				
		1 PLC	±0.1				
		2 PLC	±0.01				
		3 PLC	±0.001				
		4 PLC	±0.0001				
		ANGLES	±0.0001				

APPROVED	DATE	BY	CHKD	DATE	BY
B. HIGMAN	15MAY2006	B. HIGMAN	B. HIGMAN	15MAY2006	B. HIGMAN

TYCO	TYCO ELECTRONICS	TYCO ELECTRONICS	HARRISBURG, PA 17105-3608
PRODUCT SPEC	NAME	SIZE	CAGE CODE
	SIDE FEED HDM APPLICATOR		
APPLICATION SPEC	SCALE	3:5	SHEET 1 OF 1
WEIGHT	REV	A	

CUSTOMER VIEWABLE ASSEMBLY

Mouser Electronics

Authorized Distributor

Click to View Pricing, Inventory, Delivery & Lifecycle Information:

[TE Connectivity:](#)

[1852245-1](#)