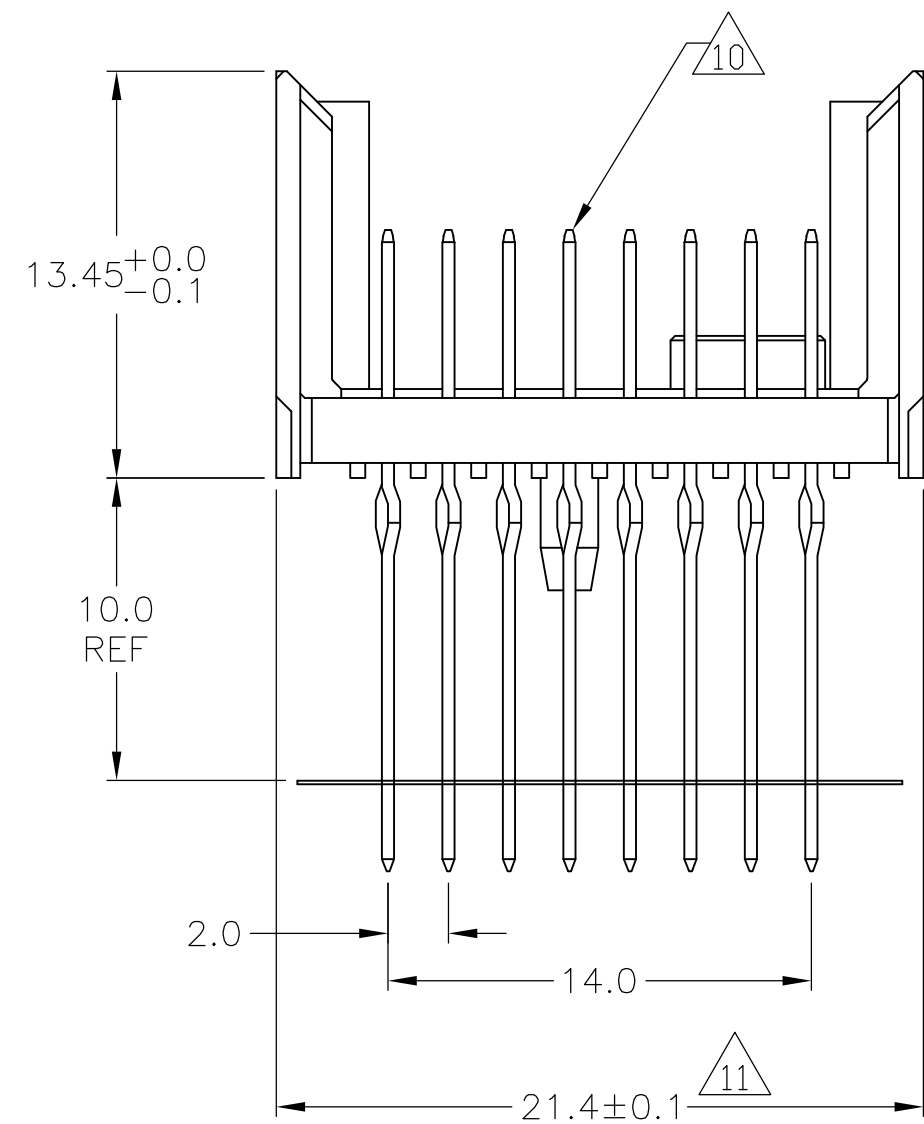
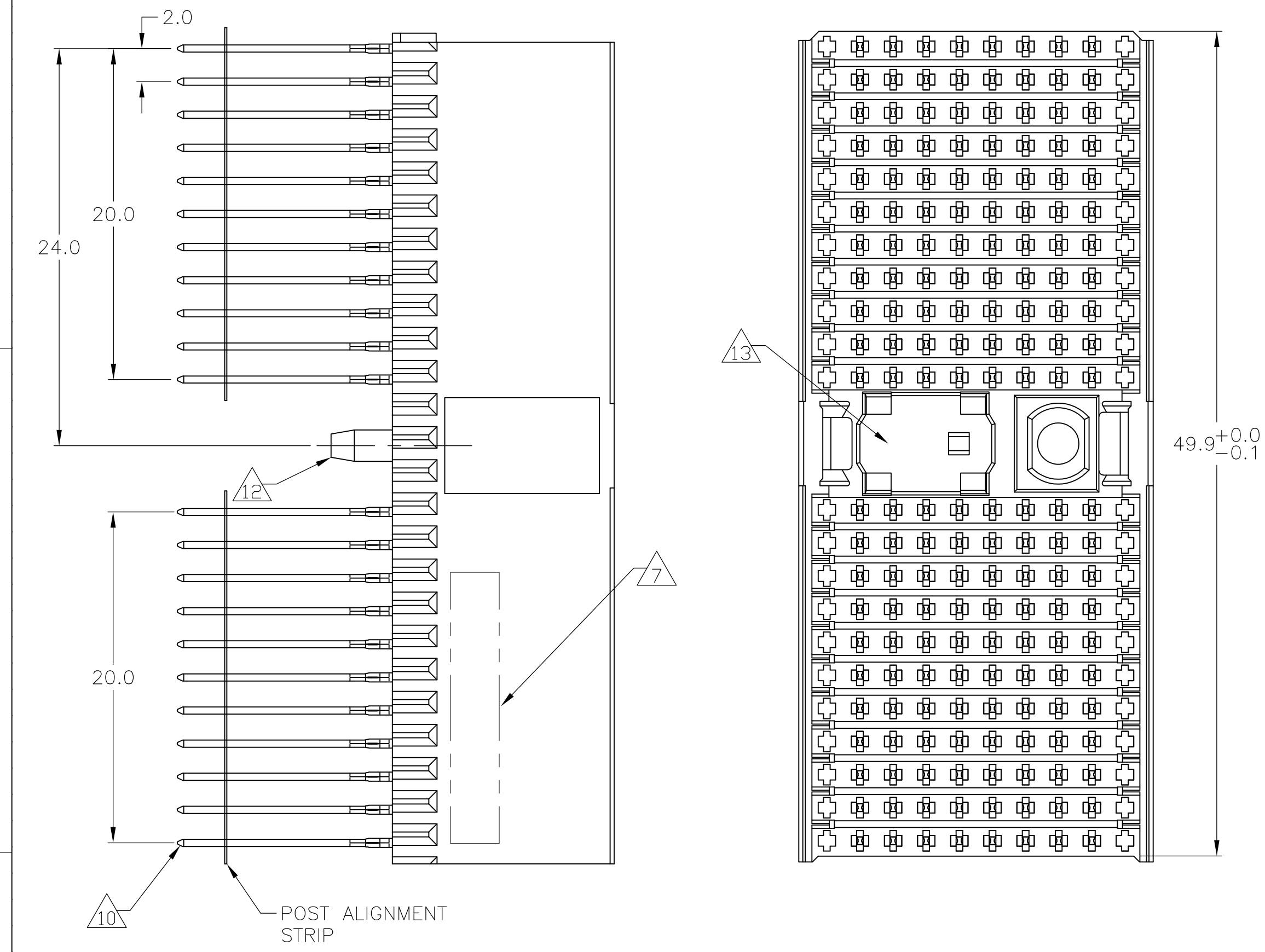
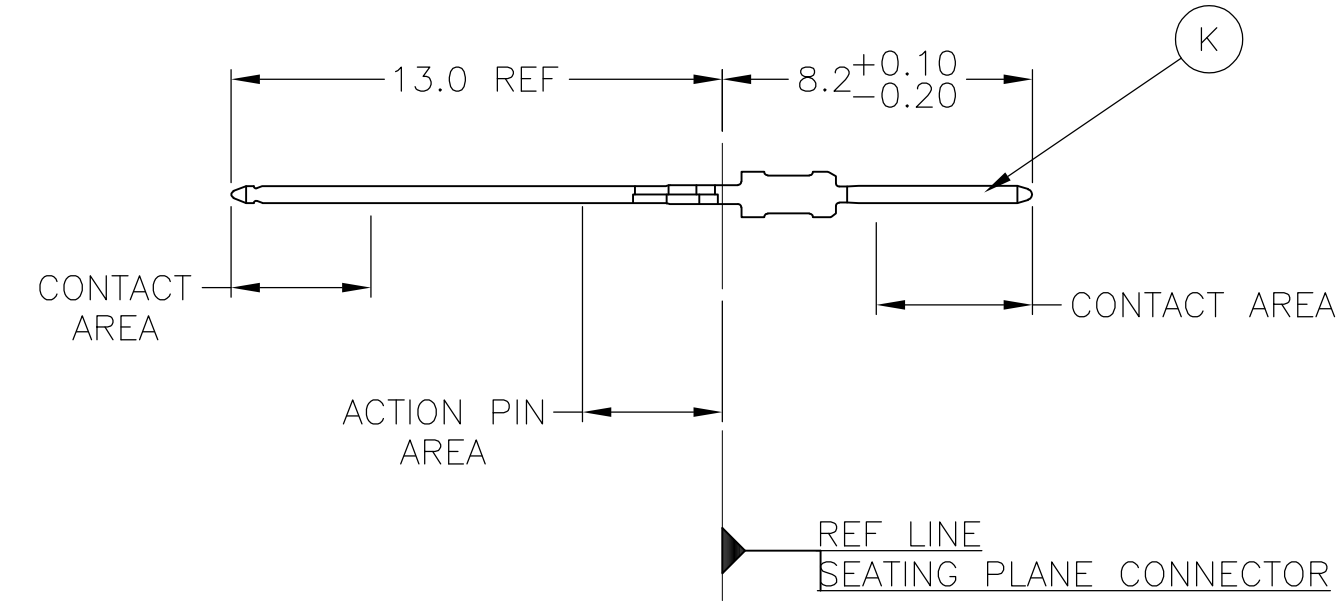


### CONNECTOR ASSEMBLY EXAMPLARY LOADED



### CONTACT DIMENSIONS

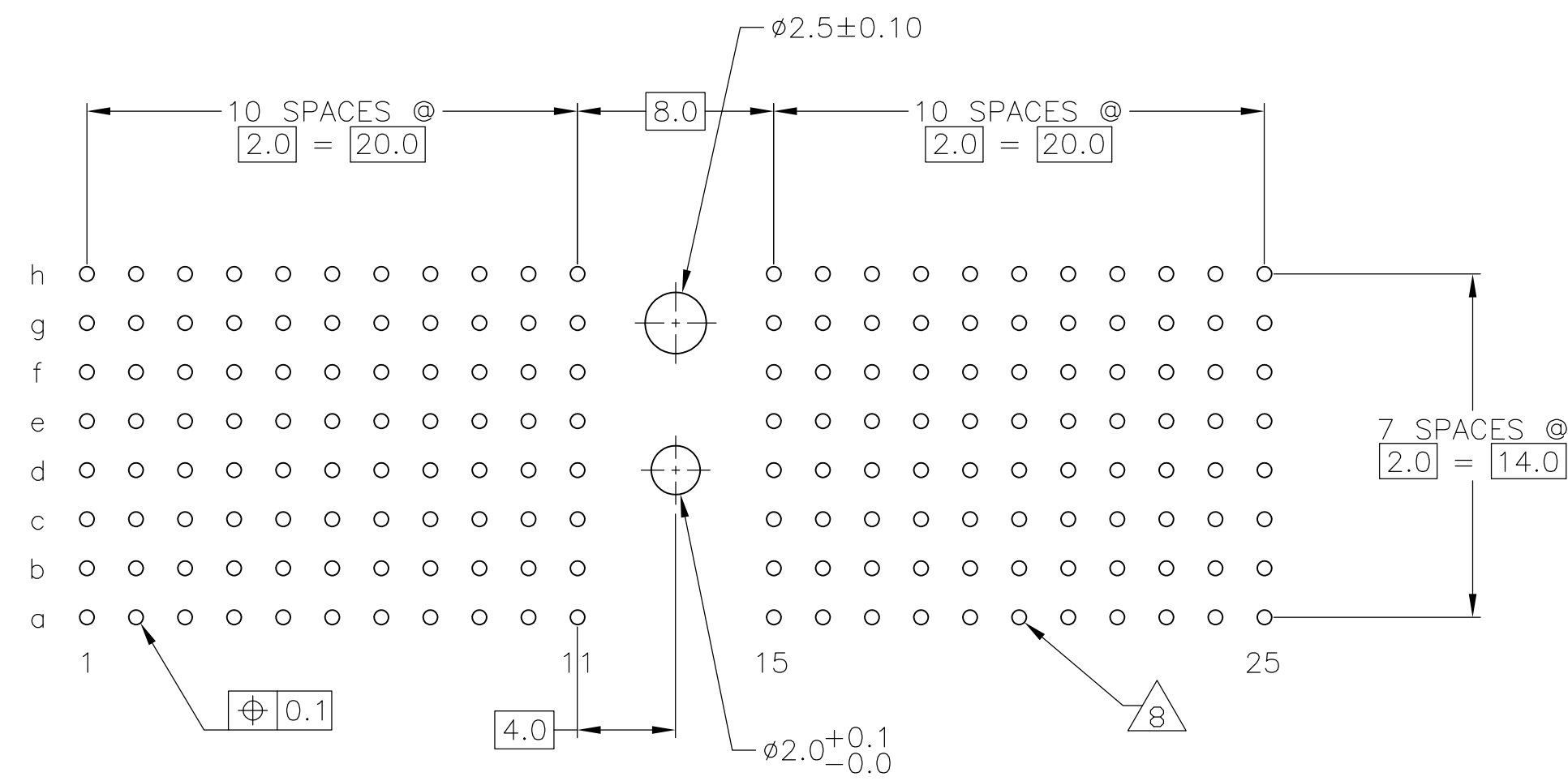
SCALE 5:1



### CONTACT LAYOUT

	z	a	b	c	d	e	f	g	h	i
1	K	K	K	K	K	K	K	K		
2	K	K	K	K	K	K	K	K		
3	K	K	K	K	K	K	K	K		
4	K	K	K	K	K	K	K	K		
5	K	K	K	K	K	K	K	K		
6	K	K	K	K	K	K	K	K		
7	K	K	K	K	K	K	K	K		
8	K	K	K	K	K	K	K	K		
9	K	K	K	K	K	K	K	K		
10	K	K	K	K	K	K	K	K		
11	K	K	K	K	K	K	K	K		
MULTI PURPOSE CENTER										
15	K	K	K	K	K	K	K	K		
16	K	K	K	K	K	K	K	K		
17	K	K	K	K	K	K	K	K		
18	K	K	K	K	K	K	K	K		
19	K	K	K	K	K	K	K	K		
20	K	K	K	K	K	K	K	K		
21	K	K	K	K	K	K	K	K		
22	K	K	K	K	K	K	K	K		
23	K	K	K	K	K	K	K	K		
24	K	K	K	K	K	K	K	K		
25	K	K	K	K	K	K	K	K		

### RECOMMENDED PCB-HOLE LAYOUT COMPONENT SIDE SHOWN



### PLATED THRU HOLES PARAMETERS

REFERENCE APPLICATION SPECIFICATION

DISOLETE	FINISH	PART NUMBER
2 3 15		3-646372-0
2 6 14		1-646372-9
2 5 14		646372-9
2 4		646372-4
2 3		646372-1

THIS DRAWING IS A CONTROLLED DOCUMENT.

DIMENSIONS: mm	TOLERANCES UNLESS OTHERWISE SPECIFIED:	APPROVED: G. SKIPPER	DATE: 13JUL05	DESIGNED: S. WAITMAN	DATE: 13JUL05	TYCO ELECTRONICS	Tyco Electronics Corporation Harrisburg, Pa 17105-3608
0-PLC ±	±0.2	PRODUCT SPEC	108-1622	NAME	MALE ASSEMBLY, Z-PACK 2mm HM, TYPE D	RESTRICTED TO	
1-PLC ±0.1		APPLICATION SPEC	114-19029	SIZE	A1	SCALE	4:1
2-PLC ±		WEIGHT		CAGE CODE	00779	SHEET	1 OF 2
3-PLC ±				DRAWING NO	646372	REV	J
4-PLC ±				CUSTOMER DRAWING			

LOC		DIST		REVISIONS				
P	LTR	DESCRIPTION	DATE	DN	APVO			
AD	00	SEE SHEET 1	-	-	-			

- 1 MATERIAL:  
CONTACT: PHOSPHOR BRONZE.  
HOUSING: GLASS-FILLED POLYESTER.
- 2 GENERAL PLATING SPECIFICATION: UNDERPLATING  
(ENTIRE CONTACT): 1.27µm MIN NICKEL AND ACTION  
PIN: 0.5µm MIN TIN LEAD.  
FOR PLATING OF MATING SURFACES SEE APPLICABLE  
SPECIFICATION REFERENCE FOR EACH DASH NUMBER.
- 3 CONFORMS TO ALL TESTING ACCORDING TO IEC 61076-4-101  
PERFORMANCE LEVEL 2.
- 4 CONFORMS TO ALL TESTING ACCORDING TO IEC 61076-4-101  
PERFORMANCE LEVEL 1.
- 5 CONNECTOR TESTED AND QUALIFIED AGAINST TELCORDIA GR-1217-CORE QUALITY LEVEL 3,  
CENTRAL OFFICE APPLICATIONS.
- 6 CONNECTOR TESTED AND QUALIFIED AGAINST TELCORDIA GR-1217-CORE QUALITY LEVEL 3,  
UNCONTROLLED ENVIROMENT APPLICATIONS.
- 7 CONNECTOR MARKED WITH PART NUMBER AND DATE CODE.  
ADDITIONAL CHARACTERS OR MARKINGS, AS WELL AS THE LOCATION OF THE MARKINGS,  
MAY BE ADDED FOR TRACEABILITY BASED UPON MANUFACTURERS DISCRETION.
- 8 PLATED-THROUGH HOLES AT 2x2mm SQUARE GRID  
PATTERN DEFINED BY CONTACT LAYOUT.
- 9 FOR ACTUAL PIN LOADING SEE "CONTACT LAYOUT".
- 10 FOR ACTUAL PIN DIMENSIONS SEE "CONTACT DIMENSIONS".
- 11 TO BE MEASURED AT BOTTOM OF SHROUD.
- 12 POLARIZATION FEATURE.
- 13 AREA RESERVED FOR KEYING PART (BASIC P/N 100525).
- 14 CONNECTOR LUBRICATED WITH BELCORE APPROVED LUBRICANT,  
TECHNICAL REFERENCE: TR-NWT-001217 ISSUE 1, SEP 1992.
- 15 0.76µm MIN GOLD PLATING AT MATING SURFACES.

THIS DRAWING IS A CONTROLLED DOCUMENT.		DIN S. WAITMAN 13JUL05	Tyco Electronics Corporation Harrisburg, Pa 17105-3608	
DIMENSIONS: mm		CHK G. SKIPPER 13JUL05	NAME MALE ASSEMBLY, Z-PACK 2mm HM, TYPE D	
TOLERANCES UNLESS OTHERWISE SPECIFIED: 0-PLG ± 1-PLG ±0.1 2-PLG ± 3-PLG ± 4-PLG ± ANGLES ±1°		APVO G. SKIPPER 13JUL05	PRODUCT SPEC 108-1622	
MATERIAL SEE SHEET 1		FINISH SEE SHEET 1	APPLICATION SPEC 114-19029	RESTRICTED TO —
WEIGHT —		SIZE A1	CAGE CODE 00779	DRAWING NO 646372
CUSTOMER DRAWING		SCALE 4:1	SHEET 2	OF 2

# Mouser Electronics

Authorized Distributor

Click to View Pricing, Inventory, Delivery & Lifecycle Information:

[TE Connectivity:](#)

[3-646372-0](#)