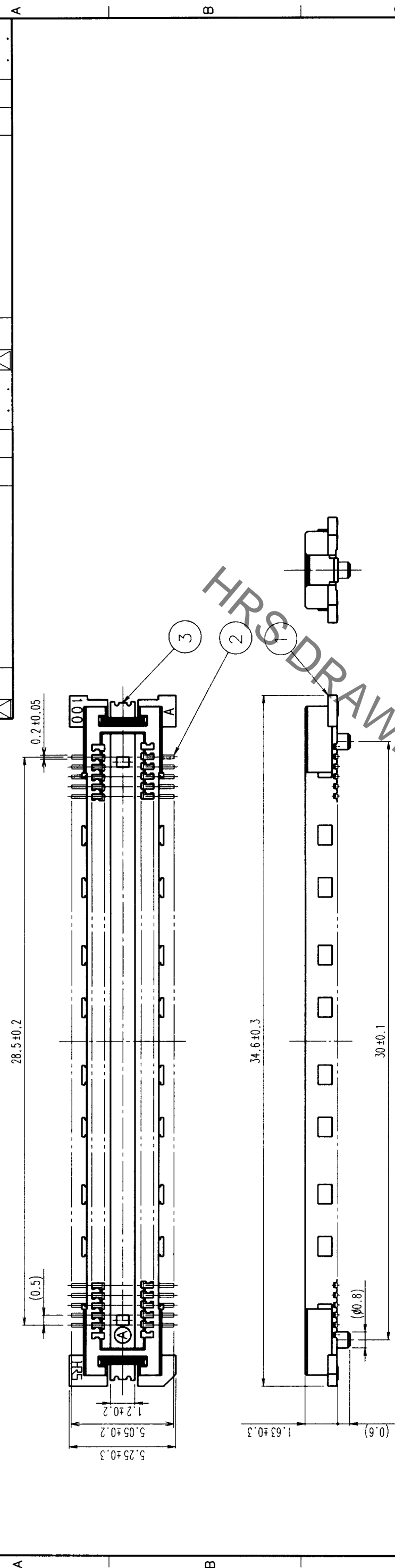
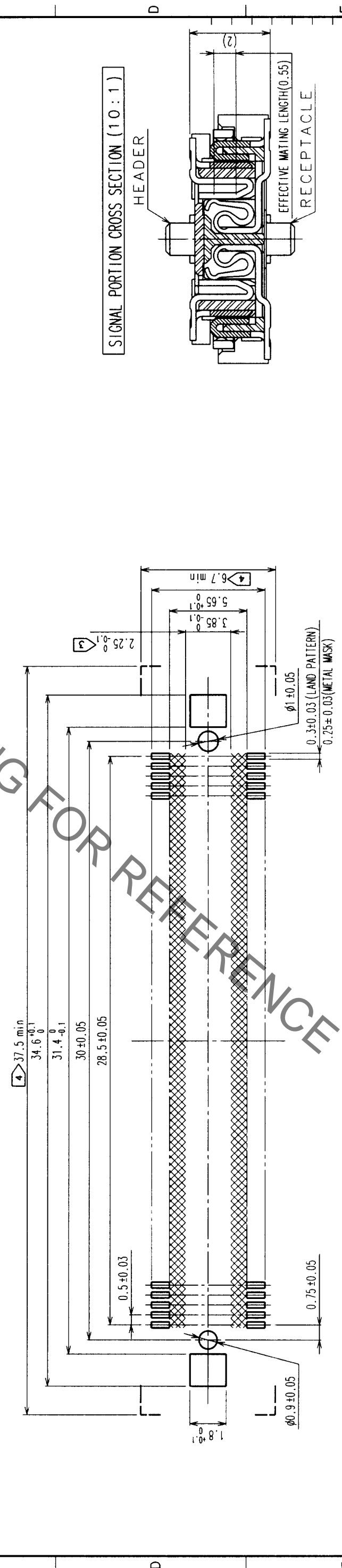


COUNT	DESCRIPTION OF REVISIONS	BY	CHKD	DATE	COUNT	DESCRIPTION OF REVISIONS	BY	CHKD	DATE
△					△				
△					△				
△					△				



RECOMMENDED LAND PATTERN DIMENSION OF PCB



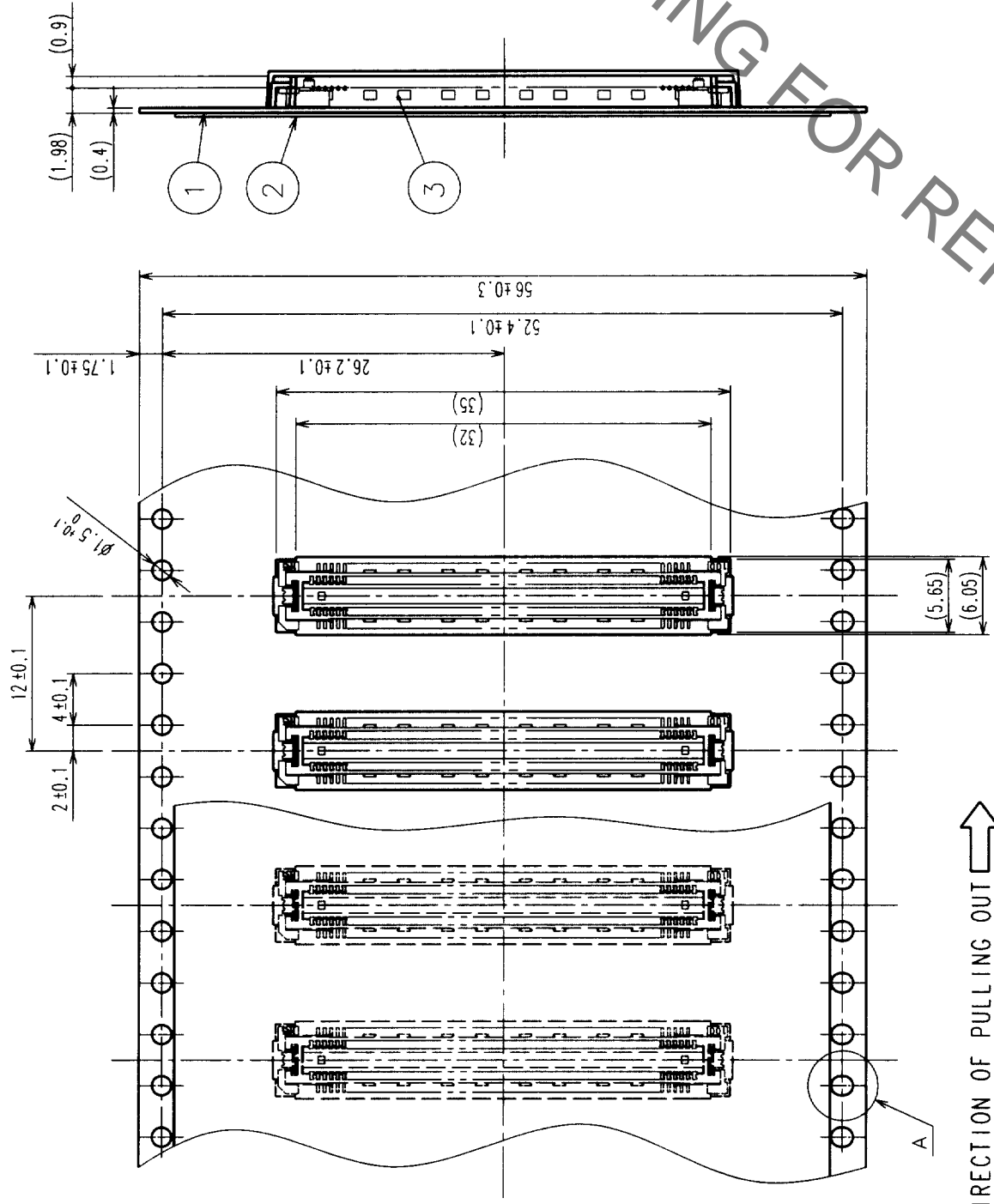
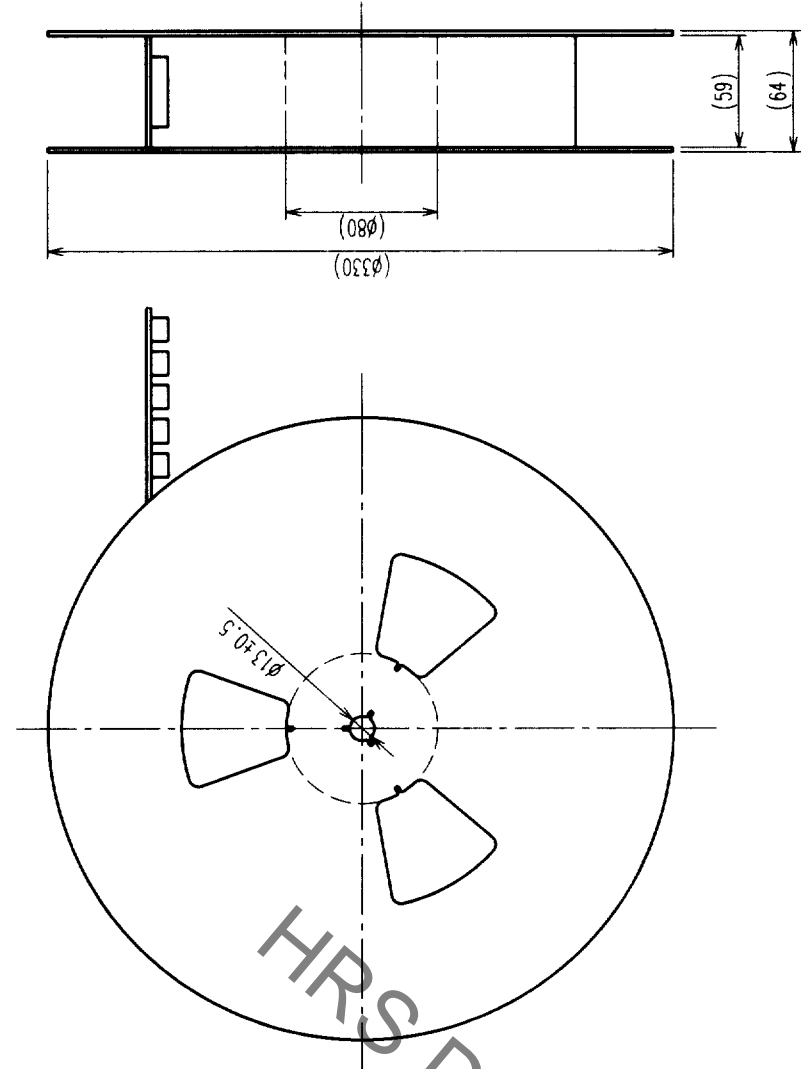
- NOTES
- 1 SMT LEAD-COPLANARITY: 0.1 MAX.
 - 2 THIS PRODUCT HAS NO POLARITY TO PATTERN FOR MOUNTING.
 - 3 MAKE SURE WIDTH OF PATTERN IS WITHIN THAT OF LAND ,OR LEAD MAY TOUCH PATTERN. (THIS APPLIES TO HATCHED AREA.)
 - 4 DO NOT MOUNT OTHER DEVICES ONTO [] AREA ,OR MATING PAIR CANNOT BE MATED.
 - 5 TO BE EMBOSSED CARRIER TAPED AS SPECIFIED IN SHEET 2.

2	COPPER ALLOY	CONTACT AREA: GOLD (0.1µm) OVER NICKEL
1	LCP	LEAD: GOLD FLASH OVER NICKEL
NO.	MATERIAL	FINISH, REMARKS
3	PHOSPHOR BRONZE	TIN PLATED
CODE NO. (OLD)	CL	DRAWN
		DESIGNED
		CHECKED
		APPROVED
		RELEASED
DRAWING NO.	EDC3-152102-01	PART NO.
SCALE	5 : 1	FX111LA-116P-SV (21)
UNITS	mm	CODE NO.
		CL573-0044-7-21

TO	
PCK	

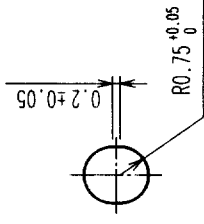
COUNT	DESCRIPTION OF REVISIONS	BY	CHKD	DATE	COUNT	DESCRIPTION OF REVISIONS	BY	CHKD	DATE
△					△				
△					△				
△					△				

REELED DIMENSION (Free)



THE DIRECTION OF PULLING OUT →

A (5:1)



- NOTES 1 REEL: 1000 CONNECTORS.
- 2 MINIMUM 10 COMPARTMENTS FROM BOTH REEL ENDS REMAIN EMPTY.
- 3 THIS PRODUCT HAS NO POLARITY TO TAPE AND REEL PACKAGING.

2	PET	TOP COVER TAPE	3	(CONNECTOR)	FINISH, REMARKS	FINISH, REMARKS		
1	PS	EMBOSSED CARRIER TAPE	3					
NO.	MATERIAL	FINISH, REMARKS	NO.	MATERIAL	DESIGNED	CHECKED	APPROVED	RELEASED
CODE NO. (OLD)	CL		DRAWN					
DRAWING FOR PACKING		DRAWN: <i>M. Saito</i> 99.10.25 CHECKED: <i>M. Saito</i> 99.10.25 APPROVED: <i>J. Yamamura</i> 99.10.26						
DRAWING NO. EDC3-152102-01		PART NO. FX11LA-116P-SV(21)						
SCALE 2:1		UNITS mm						
HIROSE ELECTRIC CO., LTD		CODE NO. CL573-0044-7-21						

TO	
PCK	

HRS DRAWING FOR REFERENCE