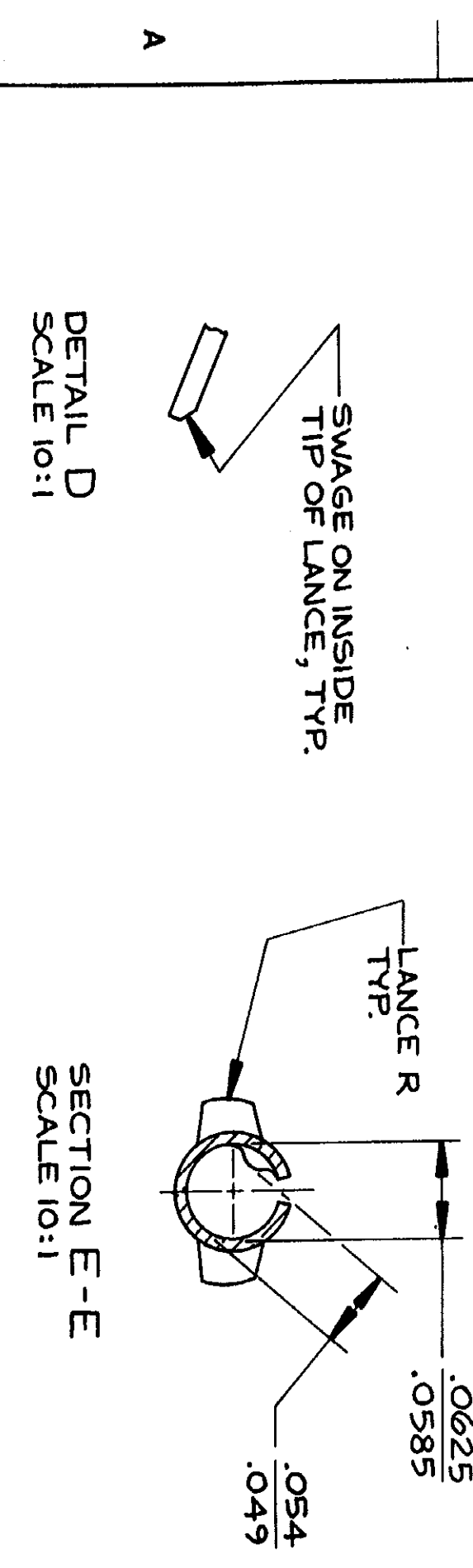
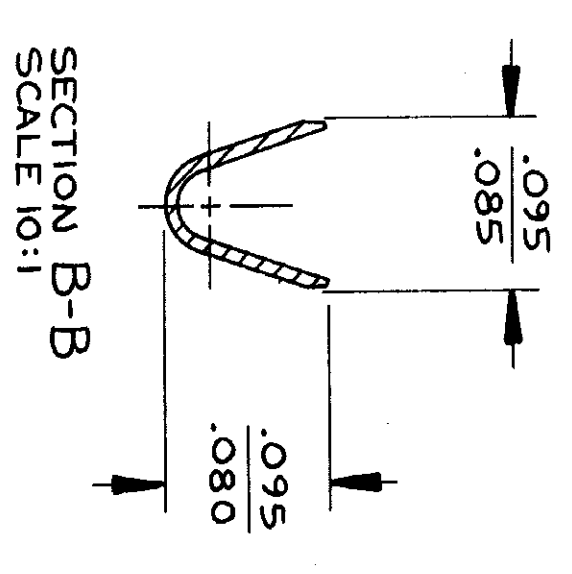
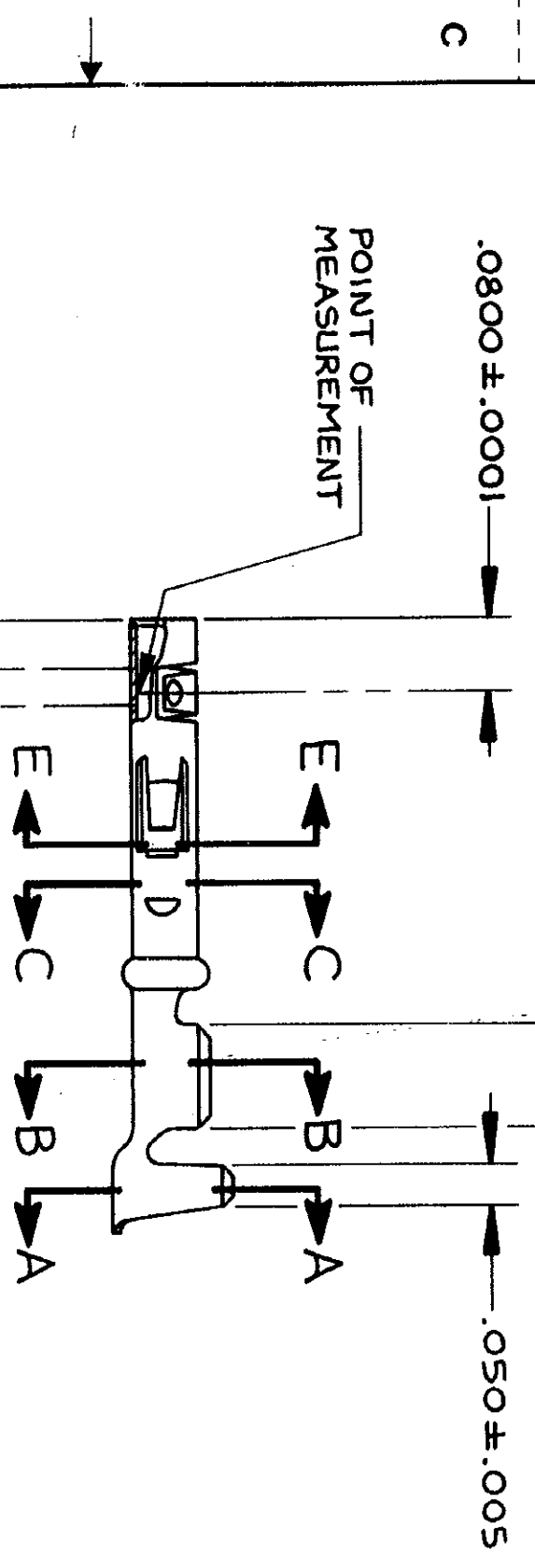
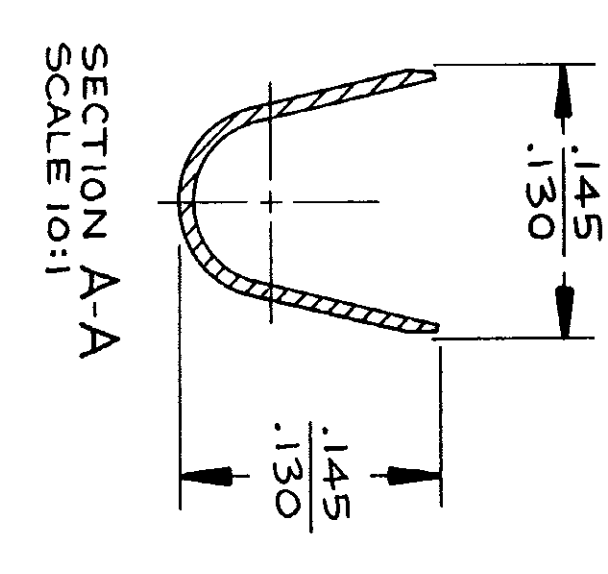
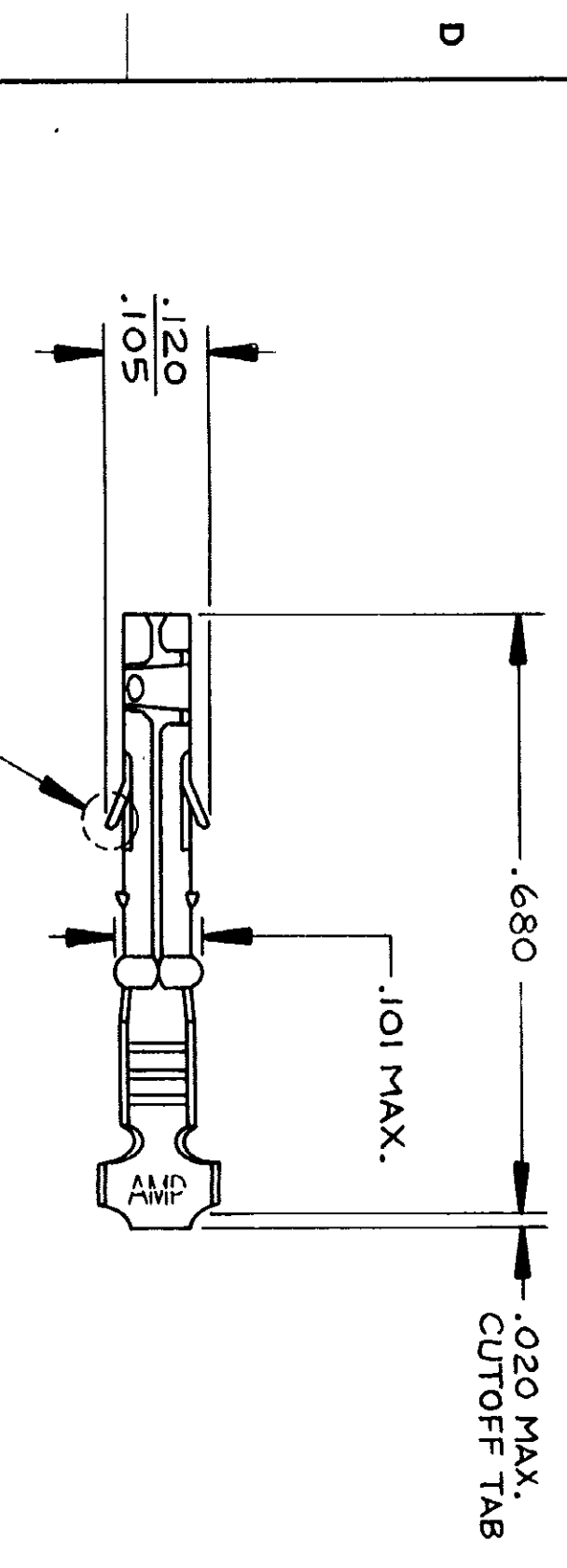


LOC	DIST	REVISIONS	DATE	APPD
CM	53			
		DESCRIPTION		
		S2 WAS SHOWN ON DWG. 350665	5-27-87	5/AS



- 1 PLATED INSIDE WITH .000030 GOLD OVER .000050 NICKEL UNDERPLATE.
- 2 WIRE RANGE: 26-18 AWG INSULATION RANGE: .050-.115 DIA.

PART NUMBER	MATERIAL	FINISH
350666-1	.008 PHOS. BRONZE	PRE-TIN
-2	.008 PHOS. BRONZE	PRE-GOLD STRIP

UNLESS OTHERWISE SPECIFIED DIMENSIONS ARE IN INCHES TOLERANCES ON		NAME	
2 PL DEC	+ .010	DR	S. JAMES 5-27-87
3 PL DEC	+ .010	CHK	K. SHAW 6-1-87
ANGLES	± .010	APPD	W. R. SHAW 6-2-87
MATERIAL	SEE TABLE	PRODUCT SPEC	
FINISH	SEE TABLE	APPLICATION SPEC	
WEIGHT	SEE TABLE		
SIZE	FSCM NO	DRAWING NO	
C	00779	350666	
SCALE	5:1	SHEET	1 OF 1

AMP | AMP INCORPORATED  
 Harrisburg, Pa. 17105  
 MR RECEPTACLE, LOOSE PIECE

CUSTOMER DRAWING

# Mouser Electronics

Authorized Distributor

Click to View Pricing, Inventory, Delivery & Lifecycle Information:

[TE Connectivity:](#)

[350666-1](#)