

Single Thru Hole IDC Contact

12-18 AWG: WTB

9177-600



AVX developed the initial SMT discrete wire IDC connector 5 years ago for 26-28AWG AVX wires. Since then, we have seen this Wire-to-Board (WTB) contact technology spread to multiple wire gauges and multiple configurations; standard connectors, capped connectors and single contacts. All of which addresses specific application or cost parameters set forth by our customer in demanding industrial, transportation or commercial applications. The heart of the IDC connector is the true “gas tight” WTB termination that is achieved once the wire is inserted between the dual phosphor bronze contact tines. These opposing tines provide enough spring characteristics to allow the termination to remain stable over extreme levels of temperature, shock and vibration.

The new 9177-600 family of contacts incorporates all of the above mentioned capabilities. From low cost single contacts to fully integrated capped contacts. The unique feature of the 600 series is the fact that it was developed for Plated Through Hole (PTH) termination to the PCB. This addresses the rugged power type boards that have to handle larger wire gauges up to 12AWG and 15 Amps per contact of current. The PTH option provides robust PCB attachment and high current capabilities to replace older technology connectors or in most cases soldering stripped wires directly to the PCB.

APPLICATIONS

- Industrial pumps, motors and driver boards
- Solar and alternative energy products
- Commercial electrical equipment
- Reference Product Specification & application notes 201-01-141/142

FEATURES AND BENEFITS

- IDC contact provides a “gas tight” wire termination to the PCB to meet harsh industrial environments
- Simple, robust design offers a high performance solution to hand soldering large gauge wires to a PCB
- A single contact can handle up to 15A for high current applications with wire replacement up to 3 times
- The versatile family of IDC contact can accept 12-18AWG of stranded wires and can be tested for compliance with solid wires

ELECTRICAL

- Current Rating: 15A
- Voltage Rating: 600 VAC

ENVIRONMENTAL

- Operating Temperature: -40°C to +125°C

MECHANICAL

- Insulator Material: Nylon 46, UL94VO
- Contact Material: Phosphor Bronze
- Plating: Tin over Nickel
- Durability: Wires can be replaced up to 3 time

HOW TO ORDER – CONTACT OPTIONS

70	9177	001	6XX	006																
Prefix	Series	Number of Ways	Wire Gauge Size	Plating Option																
70 = Contact				006 = Pure Tin all over																
		<table border="1"> <thead> <tr> <th>Code</th> <th>No of Ways</th> <th>Details</th> </tr> </thead> <tbody> <tr> <td>001</td> <td>1</td> <td>Page 66</td> </tr> </tbody> </table>	Code	No of Ways	Details	001	1	Page 66	<table border="1"> <thead> <tr> <th>Code</th> <th>Accepted Wire Gauge</th> </tr> </thead> <tbody> <tr> <td>691</td> <td>12 AWG Solid or Stranded</td> </tr> <tr> <td>601</td> <td>14 AWG Solid or Stranded</td> </tr> <tr> <td>612</td> <td>16 AWG Solid or Stranded</td> </tr> <tr> <td>622</td> <td>18 AWG Solid or Stranded</td> </tr> </tbody> </table>	Code	Accepted Wire Gauge	691	12 AWG Solid or Stranded	601	14 AWG Solid or Stranded	612	16 AWG Solid or Stranded	622	18 AWG Solid or Stranded	
Code	No of Ways	Details																		
001	1	Page 66																		
Code	Accepted Wire Gauge																			
691	12 AWG Solid or Stranded																			
601	14 AWG Solid or Stranded																			
612	16 AWG Solid or Stranded																			
622	18 AWG Solid or Stranded																			



HOW TO ORDER – CAP OPTIONS

60	9177	001	6XX	X	XX																																	
Prefix	Series	Number of Ways	Wire Insulation Diameter	Color Options	Assembly Options																																	
60 = Cap																																						
		<table border="1"> <thead> <tr> <th>Code</th> <th>No of Ways</th> <th>Details</th> </tr> </thead> <tbody> <tr> <td>001</td> <td>1</td> <td>Pages 68-69</td> </tr> </tbody> </table>	Code	No of Ways	Details	001	1	Pages 68-69	<table border="1"> <thead> <tr> <th>Code</th> <th>Wire Insulation (AWG)</th> <th>Diameter “A”</th> </tr> </thead> <tbody> <tr> <td>627</td> <td>Ø 2.10 - 2.75</td> <td>2.75</td> </tr> <tr> <td>635</td> <td>Ø 2.75 - 3.50</td> <td>3.50</td> </tr> <tr> <td>642</td> <td>Ø 3.50 - 4.25</td> <td>4.25</td> </tr> </tbody> </table>	Code	Wire Insulation (AWG)	Diameter “A”	627	Ø 2.10 - 2.75	2.75	635	Ø 2.75 - 3.50	3.50	642	Ø 3.50 - 4.25	4.25	<table border="1"> <thead> <tr> <th>Code</th> <th>Color</th> <th>Application</th> </tr> </thead> <tbody> <tr> <td>0</td> <td>Black</td> <td>Special Order</td> </tr> <tr> <td>1</td> <td>White</td> <td>Standard</td> </tr> </tbody> </table>	Code	Color	Application	0	Black	Special Order	1	White	Standard	<table border="1"> <thead> <tr> <th>Code</th> <th>Description</th> </tr> </thead> <tbody> <tr> <td>00</td> <td>Through Wire</td> </tr> <tr> <td>99</td> <td>With Stop</td> </tr> </tbody> </table>	Code	Description	00	Through Wire	99	With Stop
Code	No of Ways	Details																																				
001	1	Pages 68-69																																				
Code	Wire Insulation (AWG)	Diameter “A”																																				
627	Ø 2.10 - 2.75	2.75																																				
635	Ø 2.75 - 3.50	3.50																																				
642	Ø 3.50 - 4.25	4.25																																				
Code	Color	Application																																				
0	Black	Special Order																																				
1	White	Standard																																				
Code	Description																																					
00	Through Wire																																					
99	With Stop																																					

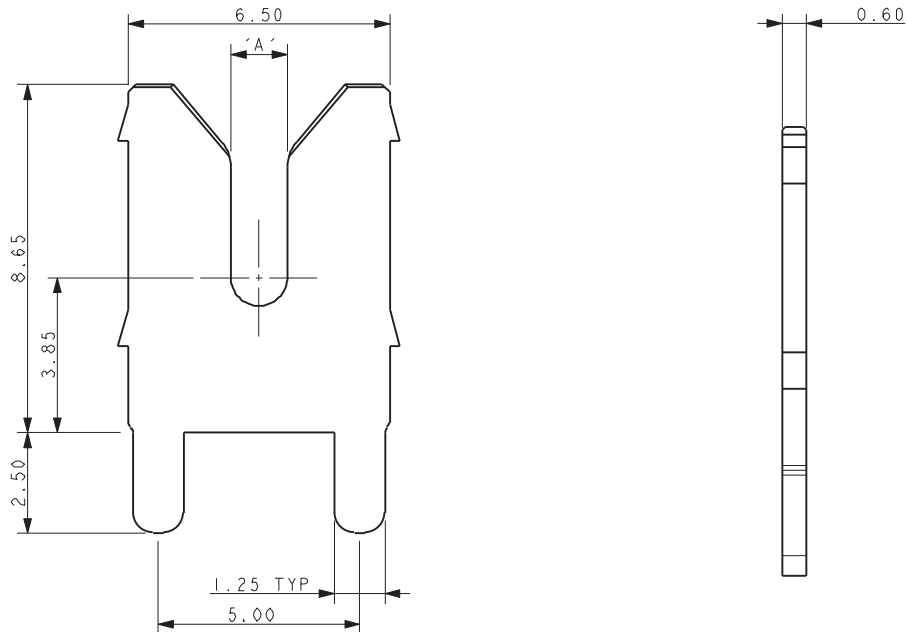
Single Thru Hole IDC Contact

12-18 AWG: WTB

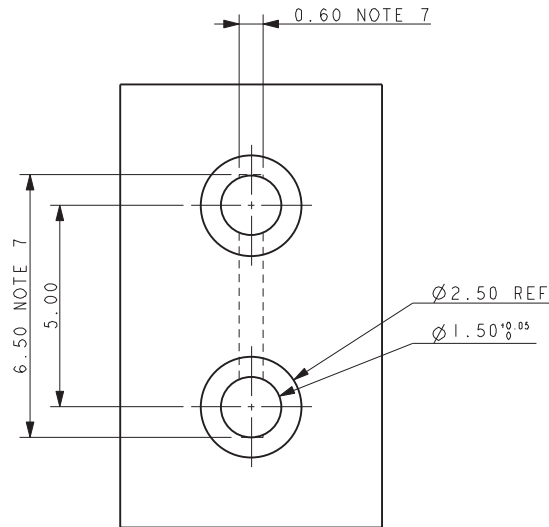
9177-600

70-9177-001-6XX-006

CONTACT DETAILS



PCB LAYOUT FOR CONTACT



Code	Accepted Wire Gauge	A
691	12 AWG Solid or Stranded	1.50
601	14 AWG Solid or Stranded	1.10
612	16 AWG Solid or Stranded	0.82
622	18 AWG Solid or Stranded	0.72

NOTES:

1. IDC CONTACT OT ACCEPT WIRES FROM 12 AWG TO 18 AWG.
2. MATERIAL: PHOSPHOR BRONZE.
3. PLATING PURE TIN OVER NICKEL.
4. ALL DIMENSIONS ± 0.20 UNLESS SPECIFIED.
5. PACKING IN BAGS, 800 PIECES PER BAG.
6. PRODUCT SPECIFICATION REFER TO 201-01-141.
7. OUTLINE OF CONTACT SEE PAGE 65 FOR ADDITIONAL CLEARANCE REQUIRED FOR WIRE INSERTION TOOL.
8. FOR ASSEMBLY DETAILS REFER TO APPLICATION NOTES 201-01-142.

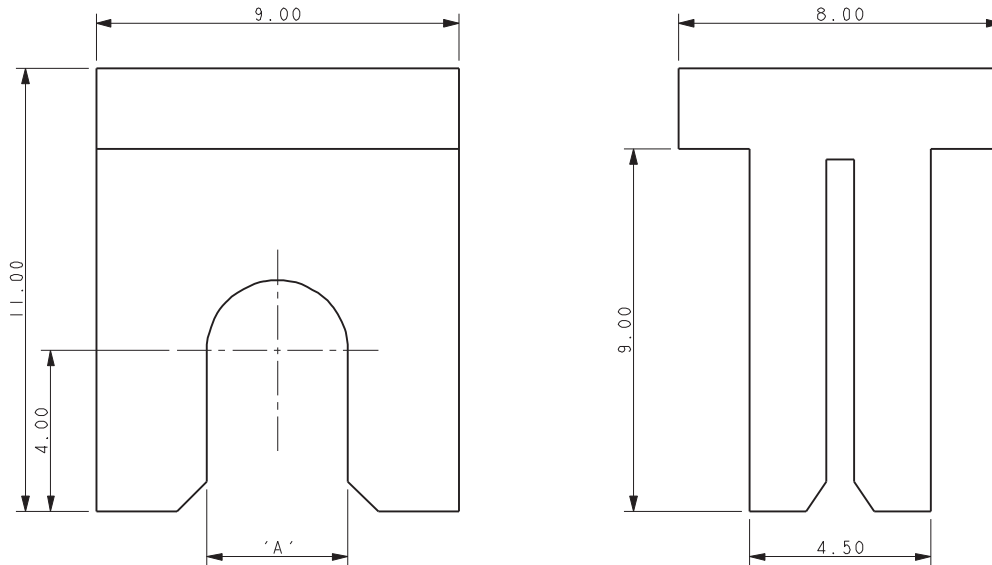
Single Thru Hole IDC Contact

12-18 AWG: WTB

9177-600

ASSEMBLY TOOLING

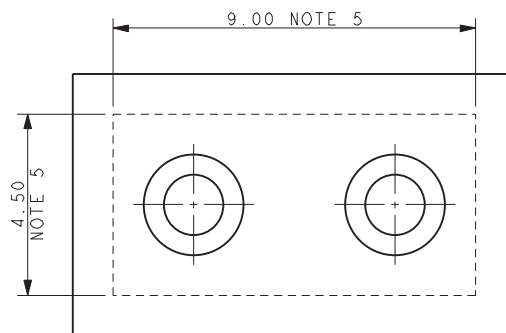
Part Number	Wire Insulation	A
06-9177-7021-01-000	Ø 3.50 - 4.25	4.25
06-9177-7021-02-000	Ø 3.50 - 4.50	3.50
06-9177-7021-03-000	Ø 3.50 - 2.75	2.75



NOTES:

1. WIRE INSERTION TOOL 06-9177-7021-0X-000, FULL PART NUMBER REFER TO TABLE.
2. TOOL PART NUMBER DEPENDENT ON WIRE INSULATION DIAMETER NOT WIRE GAUGE OR CONTACT NUMBER.
3. ASSEMBLY DETAILS REFER TO APPLICATION NOTES 201-01-142
4. MATERIAL: TOOL STEEL.
5. APACE REQUIRED ON PCB FOR TOO. NO COMPONENTS IN THIS AREA.

PCB CLEARANCE AREA FOR TOOL

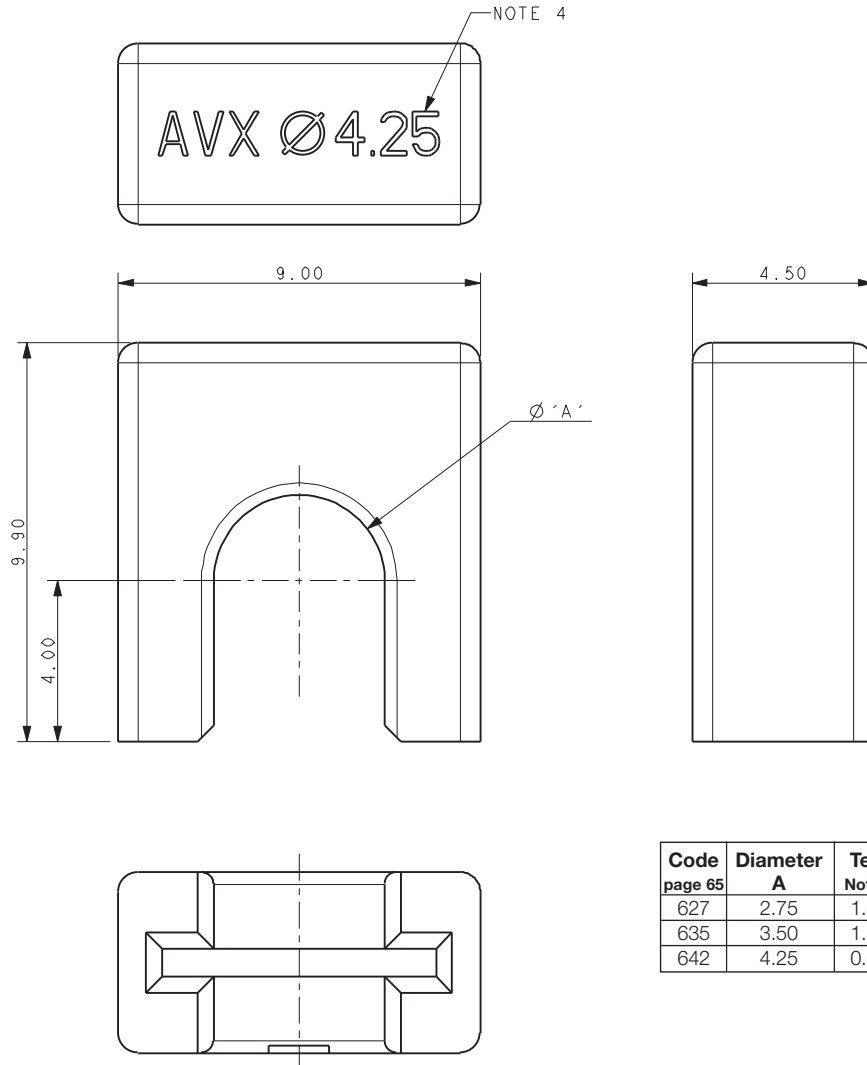


Single Thru Hole IDC Contact

12-18 AWG: WTB

9177-600

60-9177-001-6XX-X00 1 WAY WIRE THROUGH CAP DETAILS



NOTES:

1. CAP FOR IDC WIRE TO BOARD CONNECTION, 1 WAY WITH THROUGH WIRE.
2. WIRE THROUGH CAP FOR ASSEMBLY AT ANY POSITION ON A WIRE.
3. CAP MATERIAL: GLASS FILLED NYLON 46, UL94 V-0. COLOR SEE PAGE 65.
4. CAP DESIGNED TO ACCOMMODATE WIRE INSULATION.
DIAMETERS 2.10MM TO 2.75MM, 2.75MM TO 3.50MM AND 3.50MM TO 4.25MM.
5. ALL DIMENSIONS ±0.20 UNLESS STATED.
6. PACKED IN BAGS, QUANTITY 800 PIECES PER BAG.
7. PRODUCT SPECIFICATION REFER TO 201-01-141.
8. FOR ASSEMBLY DETAILS REFER TO APPLICATION NOTES 201-01-142.

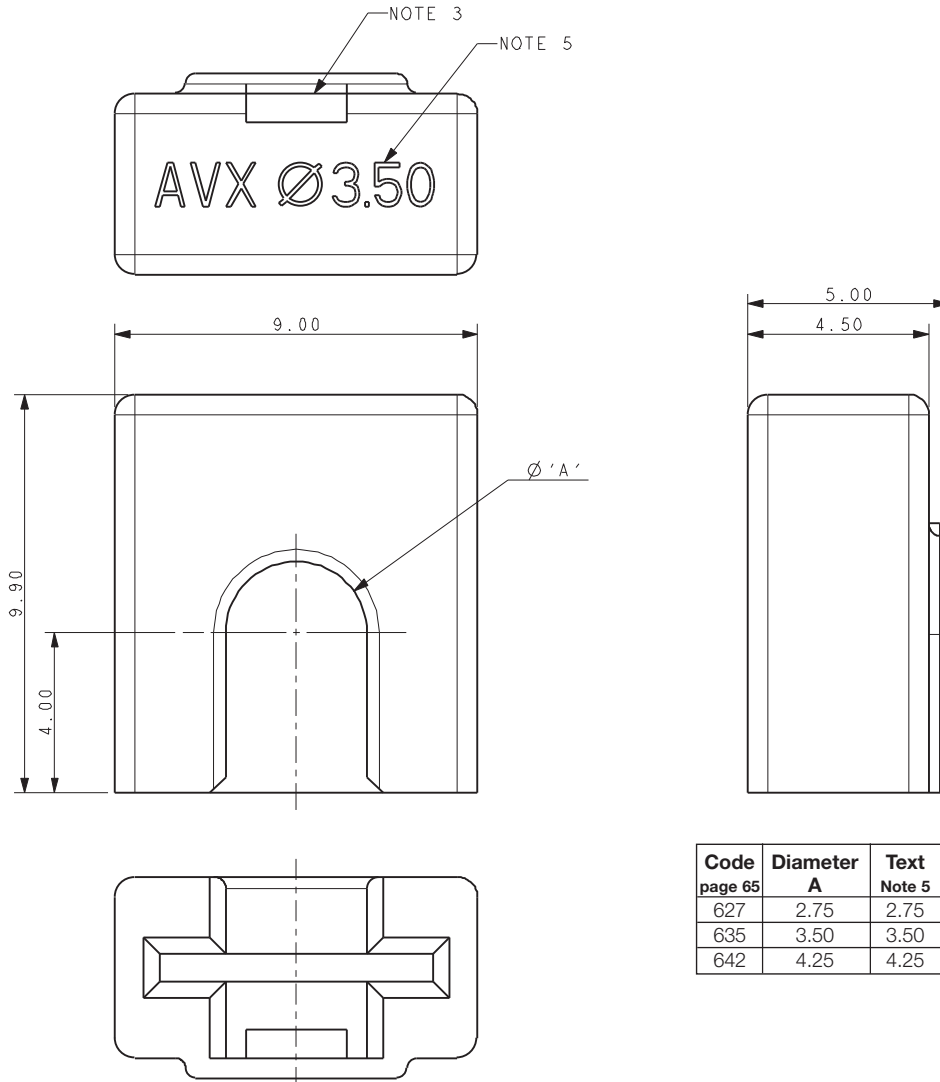
Single Thru Hole IDC Contact

12-18 AWG: WTB

9177-600

60-9177-001-6XX-X99 1 WAY WIRE STOP

CAP DETAILS



NOTES:

1. CAP FOR IDC WIRE TO BOARD CONNECTION, 1 WAY WITH WIRE STOP.
2. WIRE STOP FOR USE AT END OF WIRE.
3. SLOT TO CHECK WIRE POSITION BEFORE ASSEMBLY.
4. CAP MATERIAL: GLASS FILLED NYLON 46, UL94 V-0. COLOR SEE PAGE 65.
5. CAP DESIGNED TO ACCOMMODATE WIRE INSULATION.
DIAMETERS 2.10MM TO 2.75MM, 2.75MM TO 3.50MM AND 3.50MM TO 4.25MM.
6. ALL DIMENSIONS ± 0.20 UNLESS STATED.
7. PACKED IN BAGS, QUANTITY 800 PIECES PER BAG.
8. PRODUCT SPECIFICATION REFER TO 201-01-141.
9. FOR ASSEMBLY DETAILS REFER TO APPLICATION NOTES 201-01-142.

Mouser Electronics

Authorized Distributor

Click to View Pricing, Inventory, Delivery & Lifecycle Information:

[Kyocera:](#)

[609177001642100](#) [609177001627100](#)