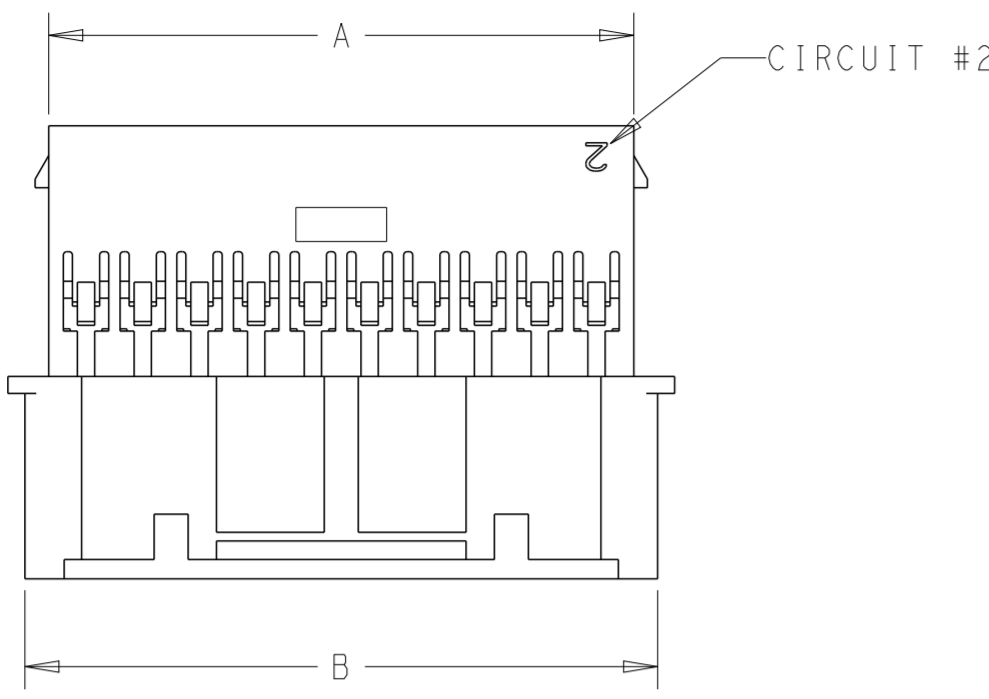
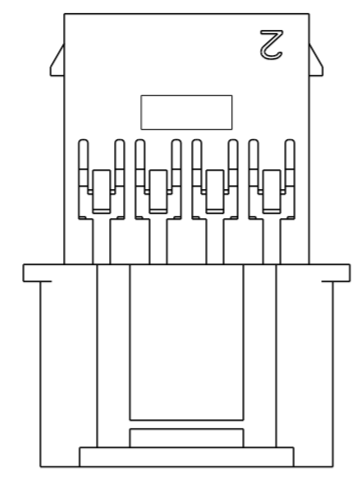


THIS DRAWING IS UNPUBLISHED. RELEASED FOR PUBLICATION 20
 © COPYRIGHT 20 BY - ALL RIGHTS RESERVED.

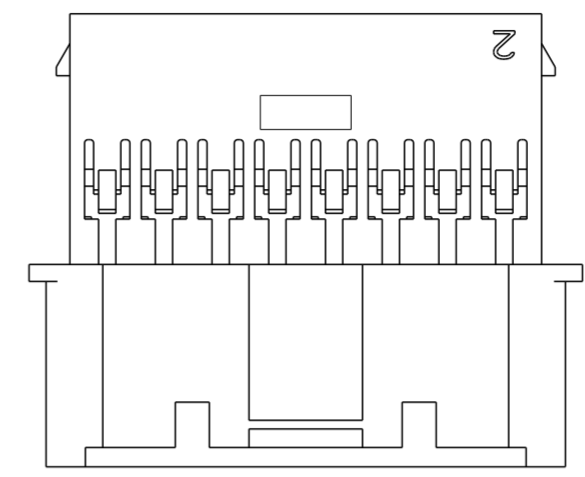
| LOC | | DIST | | REVISIONS | | | |
|-----|-----|---------------------------|-----------|-----------|------|--|--|
| P | LTR | DESCRIPTION | DATE | DWN | APVD | | |
| | B | REVISED PER ECR-15-006219 | 29APR2015 | NK | JR | | |
| | | | | | | | |
| | | | | | | | |



1-1969592-8 THROUGH 4-1969592-0
DOUBLE LATCH

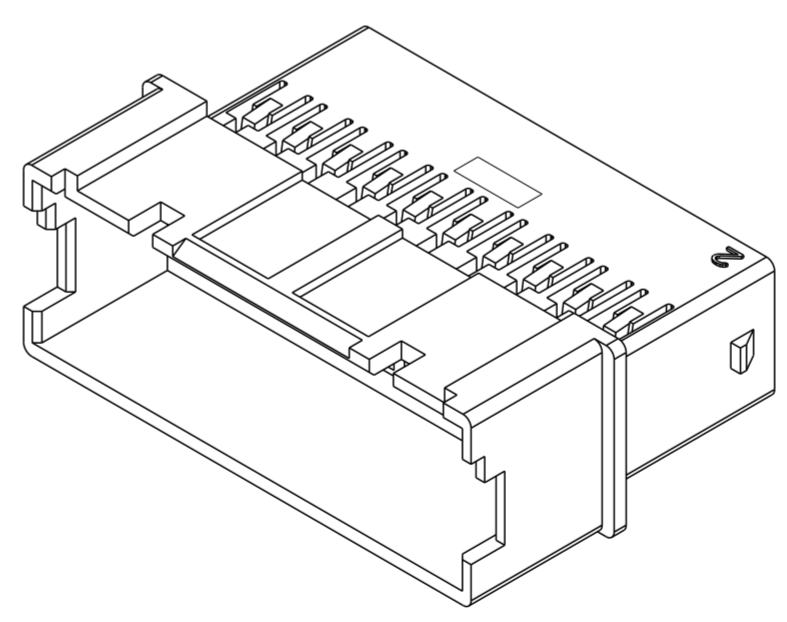
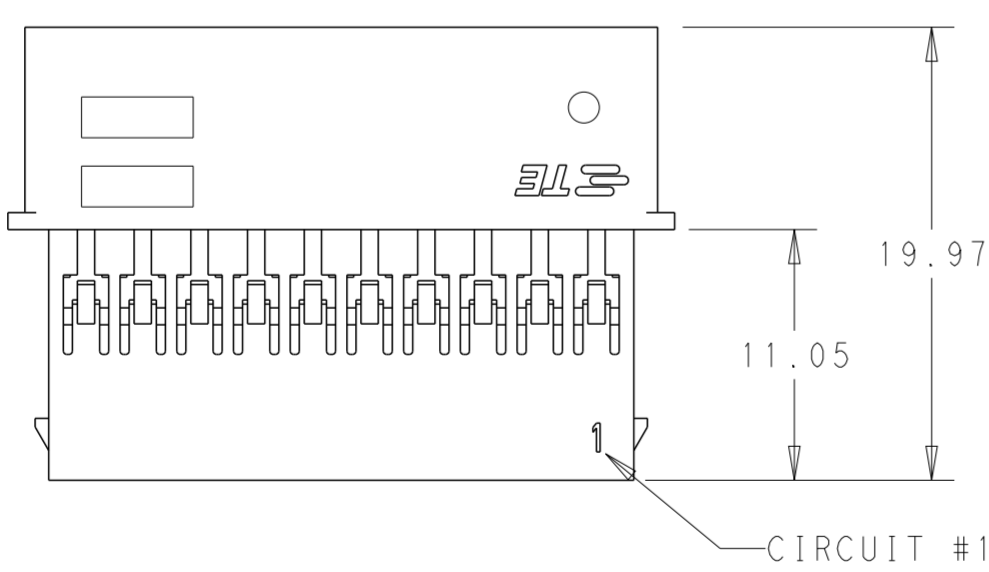
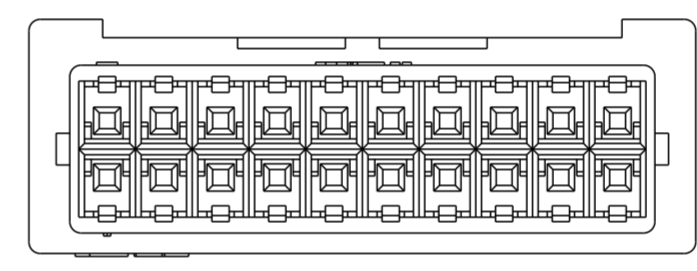
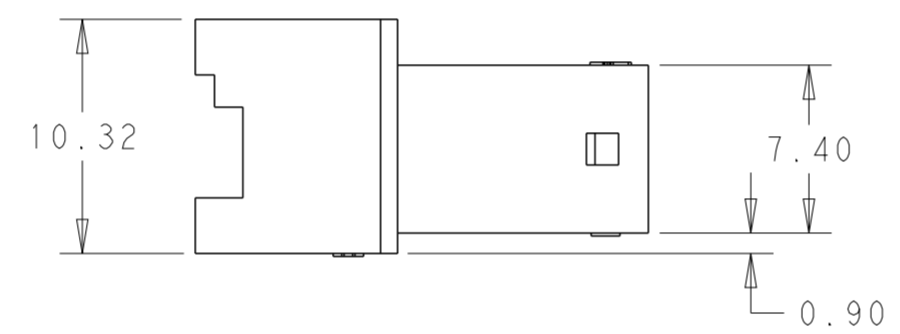
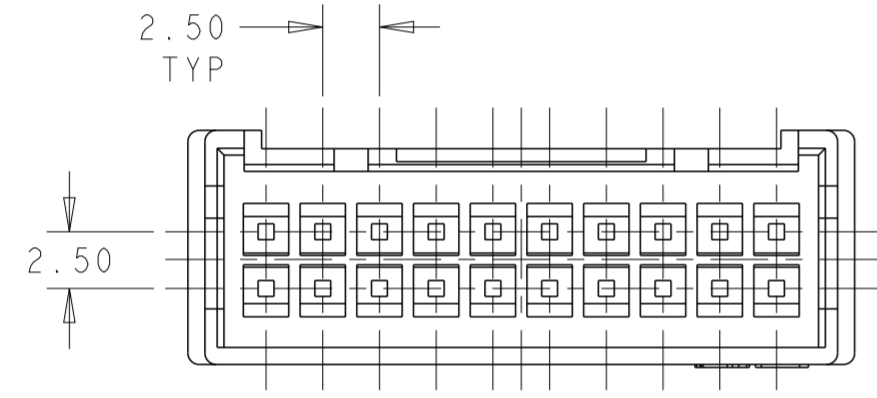


1969592-8 & 1-1969592-0
SINGLE LATCH W/O CUTOUTS



1-1969592-2, 1-1969592-4 & 1-1969592-6
SINGLE LATCH W/ CUTOUTS

1. MATERIAL: NYLON UL94 - V0
COLOR: WHITE
2. ACCEPTS TE PIN CONTACTS
P/N'S 2238007 - ()
3. HOUSING ACCEPTS OPTIONAL TPA
P/N'S 1969541 - ()
4. MATES WITH TE PLUG HOUSINGS
P/N'S 1969540 - ()



| | | | |
|-----|-------|-------|-------------|
| 40 | 52.89 | 50.79 | 4-1969592-0 |
| 38 | 50.39 | 48.29 | 3-1969592-8 |
| 36 | 47.89 | 45.79 | 3-1969592-6 |
| 34 | 45.39 | 43.29 | 3-1969592-4 |
| 32 | 42.89 | 40.79 | 3-1969592-2 |
| 30 | 40.39 | 38.29 | 3-1969592-0 |
| 28 | 37.89 | 35.79 | 2-1969592-8 |
| 26 | 35.39 | 33.29 | 2-1969592-6 |
| 24 | 32.89 | 30.79 | 2-1969592-4 |
| 22 | 30.39 | 28.29 | 2-1969592-2 |
| 20 | 27.89 | 25.79 | 2-1969592-0 |
| 18 | 25.39 | 23.29 | 1-1969592-8 |
| 16 | 22.89 | 20.79 | 1-1969592-6 |
| 14 | 20.39 | 18.29 | 1-1969592-4 |
| 12 | 17.89 | 15.79 | 1-1969592-2 |
| 10 | 15.39 | 13.29 | 1-1969592-0 |
| 8 | 12.89 | 10.79 | 1969592-8 |
| POS | DIM.B | DIM.A | PART NO. |

THIS DRAWING IS A CONTROLLED DOCUMENT.

| | | | |
|--------------------|--|----------------------------|--|
| DIMENSIONS: mm | TOLERANCES UNLESS OTHERWISE SPECIFIED: | DWN A NOEL 27SEP2012 | TE Connectivity EP 2.5 DUAL ROW, RECEPTACLE HSG WIRE TO WIRE |
| | 0 PLC ± | CHK K RANDOLPH 01OCT2012 | |
| | 1 PLC ± | APVD K RANDOLPH 01OCT2012 | |
| | 2 PLC ±0.25 | PRODUCT SPEC 108-2418 | |
| | 3 PLC ± | APPLICATION SPEC 114-13315 | SIZE A200779 |
| | 4 PLC ± | WEIGHT - | DRAWING NO C-1969592 |
| MATERIAL SEE NOTES | FINISH SEE NOTES | Customer Drawing | RESTRICTED TO - |
| | | SCALE 3:1 | SHEET 1 OF 1 |
| | | | REV B |

Mouser Electronics

Authorized Distributor

Click to View Pricing, Inventory, Delivery & Lifecycle Information:

[TE Connectivity:](#)

[1969592-8](#)