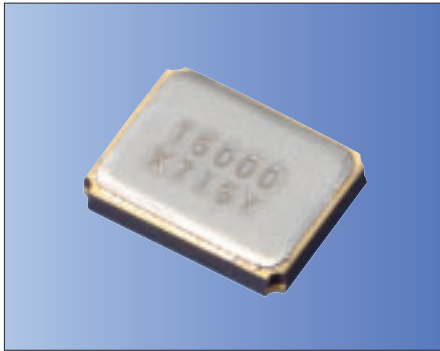


3.2×2.5mm for Consumer Products/ Mobile Communications



RoHS Compliant

**Features**

- Crystal unit for Consumer Products
- Miniature and low profile (3.2×2.5×0.55mm)
- Ceramic package
- Reflow compatible

**Applications**

- Digital Electronics
- Consumer Products
- Mobile Communications, Bluetooth®, Wireless LAN

\* Bluetooth® Trademarks are owned by Bluetooth SIG Inc.

**How to Order**

**CX3225SB 12000 DO G □ J CC**  
① ② ③ ④ ⑤ ⑥ ⑦

① Series	② Frequency
③ Load Capacitance	④ Frequency Tolerance
<b>DO</b> 8 pF	<b>G</b> ±15×10 <sup>-6</sup>
⑤ Operating Temp. Range	⑥ Frequency Temp. Stability

<b>EJ</b> -10 to +70°C	±15×10 <sup>-6</sup>
<b>LJ</b> -30 to +85°C	±15×10 <sup>-6</sup>

⑦ Individual Specification (STD Specification is "CC")

Packaging (Tape & Reel 3000 pcs./ reel)

**Specifications**

Item	Symbol	Specification	Units	Remarks
Frequency Range	f <sub>nom</sub>	12000 to 54000	kHz	
Overtone Order	OT	Fundamental	—	
Load Capacitance	CL	8	pF	Please contact us for other Load Capacitance.
Frequency Tolerance	f <sub>tol</sub>	±15	×10 <sup>-6</sup>	25°C±3°C
Motional Series Resistance	R1	Table 1	ohm	
Drive Level	DL	Table 2	μW	
Operating Temp. Range	T <sub>use</sub>	-10 to +70	°C	
Storage Temp. Range	T <sub>stg</sub>	-40 to +85		
Frequency Temp. Characteristics	f <sub>tem</sub>	±15	×10 <sup>-6</sup>	Freq. deviation from the value at 25°C

Please contact us for other specifications.

**Table1 Motional Series Resistance**

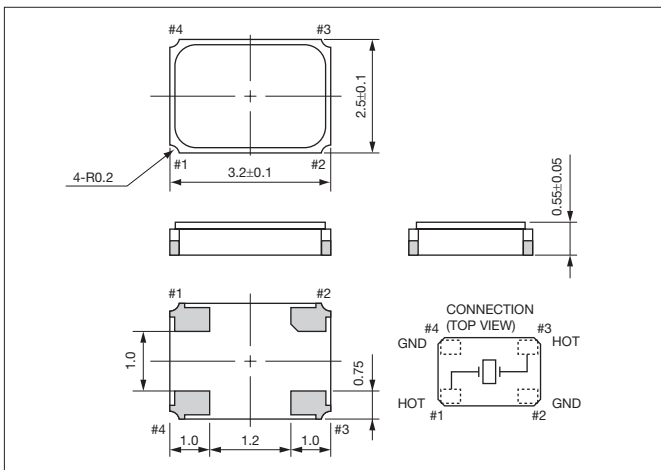
Frequency Range	Motional Series Resistance
12000 ≤ f <sub>nom</sub> < 13000kHz	150Ω max.
13000 ≤ f <sub>nom</sub> < 20000kHz	80Ω max.
20000 ≤ f <sub>nom</sub> ≤ 54000kHz	50Ω max.

**Table2 Level of Drive**

Frequency Range	Level of Drive
12000 ≤ f <sub>nom</sub> ≤ 54000kHz	10μW (100μW max.)

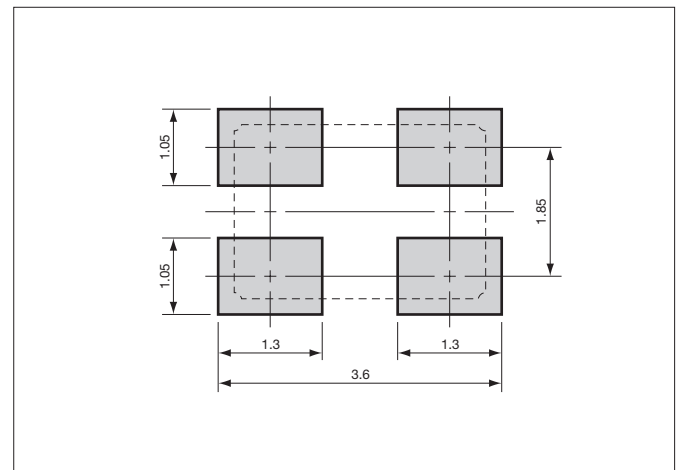
**Dimensions**

(Unit: mm)



**Recommended Land Pattern**

(Unit: mm)



# Mouser Electronics

Authorized Distributor

Click to View Pricing, Inventory, Delivery & Lifecycle Information:

## AVX:

[CX3225SB25000D0FRQC1](#)

## Kyocera:

[CX3225SB24576D0FEQZZ](#) [CX3225SB27000D0FEJZZ](#) [CX3225SB16000E0FPZ25](#) [CX3225SB-16.00-H2950](#)  
[CX3225SB-26.00-H2827](#) [CX3225SB24000D0HERZ1](#) [CX3225SB12000D0FLJZZ](#) [CX3225SB12288D0FLJZ1](#)  
[CX3225SB13560D0FLJ14](#) [CX3225SB27000H0FZF33](#) [CX3225SB24576H0KESZZ](#) [CX3225SB26000D0FLJZZ](#)  
[CX3225SB16000D0FLJZZ](#) [CX3225SB25000D0FPLCC](#) [CX3225SB40000D0FPLCC](#) [CX3225SB38400D0FPLCC](#)  
[CX3225SB40000D0FFFC](#) [CX3225SB16000D0FPLCC](#) [CX3225SB12000D0FFJCC](#) [CX3225SB13560D0FPLCC](#)  
[CX3225SB16000D0FFJCC](#) [CX3225SB19200D0FPLCC](#) [CX3225SB48000D0FFFC](#) [CX3225SB32000D0FPLCC](#)  
[CX3225SB30000D0FPLCC](#) [CX3225SB12000D0FPNCC](#) [CX3225SB24000D0FFJCC](#) [CX3225SB48000D0FPLCC](#)  
[CX3225SB24000D0FPLCC](#) [CX3225SB27000D0FFFC](#) [CX3225SB38400D0FFFC](#) [CX3225SB32000D0FFFC](#)  
[CX3225SB27000D0FPLCC](#) [CX3225SB26000D0FFFC](#) [CX3225SB25000D0FFFC](#) [CX3225SB20000D0FPLCC](#)  
[CX3225SB48000D0FPJC1](#) [CX3225SB54000D0WPSC1](#) [CX3225SB48000D0WPSC1](#) [CX3225SB54000D0WPSC2](#)  
[CX3225SB48000D0FPJC2](#) [CX3225SB54000D0FPJC2](#) [CX3225SB54000D0FPJC1](#) [CX3225SB48000D0WPSC2](#)  
[CX3225SB48000D0WPTC1](#) [CX3225SB54000D0WPTC1](#) [CX3225SB54000D0WPSC3](#) [CX3225SB49152F0HELCL1](#)  
[CX3225SB12000H0PSTC1](#) [CX3225SB24000H0PSTC1](#) [CX3225SB16000H0PSTC1](#) [CX3225SB32000D0PSTC1](#)  
[CX3225SB20000H0PSTC2](#) [CX3225SB40000H0WLLC1](#) [CX3225SB40000F0FFFC1](#) [CX3225SB13560D0FLJCC](#)  
[CX3225SB12000H0FLJCC](#) [CX3225SB12000D0GPSCC](#) [CX3225SB38400H0FLJCC](#) [CX3225SB24000D0GPSCC](#)  
[CX3225SB24576D0GPSCC](#) [CX3225SB20000D0GPSCC](#) [CX3225SB30000D0FLJCC](#) [CX3225SB30000D0GPSCC](#)  
[CX3225SB20000H0FLJCC](#) [CX3225SB26000D0FLJCC](#) [CX3225SB49152D0GPSCC](#) [CX3225SB49152H0FLJCC](#)  
[CX3225SB32000D0FLJCC](#) [CX3225SB49152D0FLJCC](#) [CX3225SB13560D0GPSCC](#) [CX3225SB54000D0GPSCC](#)  
[CX3225SB16000D0GPSCC](#) [CX3225SB48000H0FLJCC](#) [CX3225SB48000D0GPSCC](#) [CX3225SB54000H0FLJCC](#)  
[CX3225SB12288D0FLJCC](#) [CX3225SB38400D0GPSCC](#) [CX3225SB40000D0GPSCC](#) [CX3225SB20000D0FLJCC](#)  
[CX3225SB24000D0FLJCC](#) [CX3225SB27000D0FLJCC](#) [CX3225SB25000D0FLJCC](#) [CX3225SB27000D0GPSCC](#)  
[CX3225SB32000H0FLJCC](#) [CX3225SB27000H0FLJCC](#) [CX3225SB40000H0FLJCC](#) [CX3225SB48000D0FLJCC](#)  
[CX3225SB25000H0FLJCC](#) [CX3225SB32000D0GPSCC](#) [CX3225SB26000D0GPSCC](#) [CX3225SB24000H0FLJCC](#)  
[CX3225SB19200H0FLJCC](#) [CX3225SB24576D0FLJCC](#) [CX3225SB19200D0GPSCC](#) [CX3225SB30000H0FLJCC](#)  
[CX3225SB19200D0FLJCC](#) [CX3225SB24576H0FLJCC](#) [CX3225SB26000H0FLJCC](#) [CX3225SB40000D0FLJCC](#)