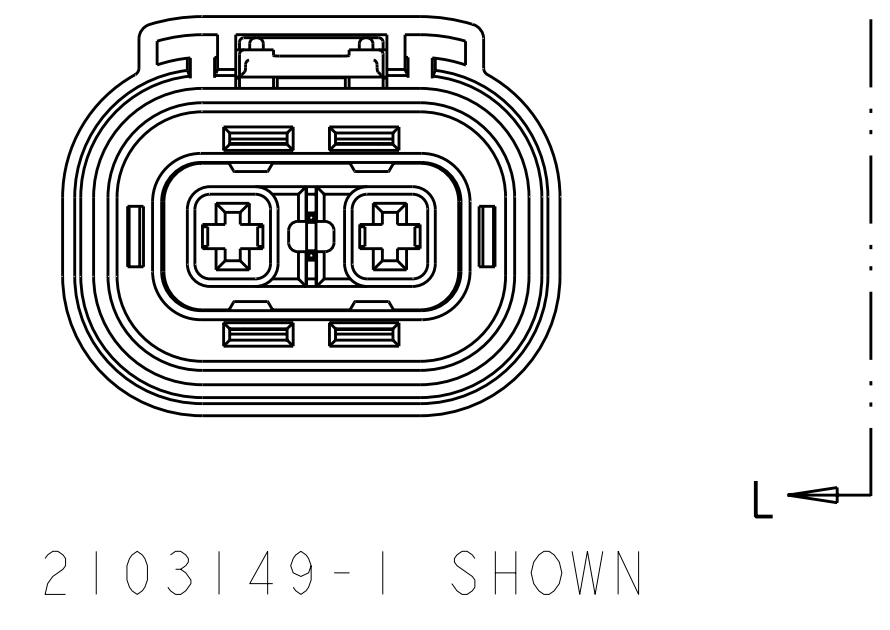
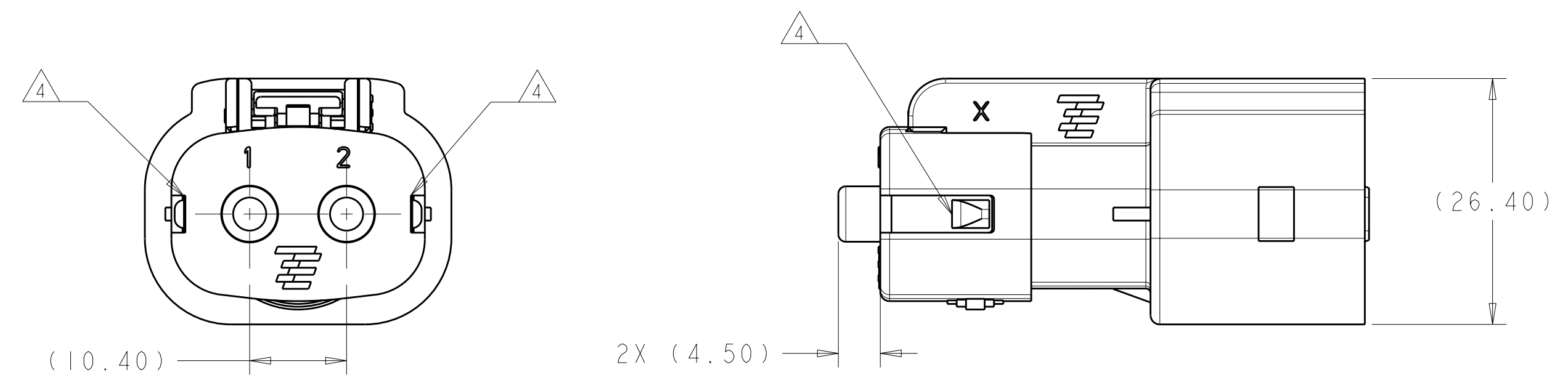
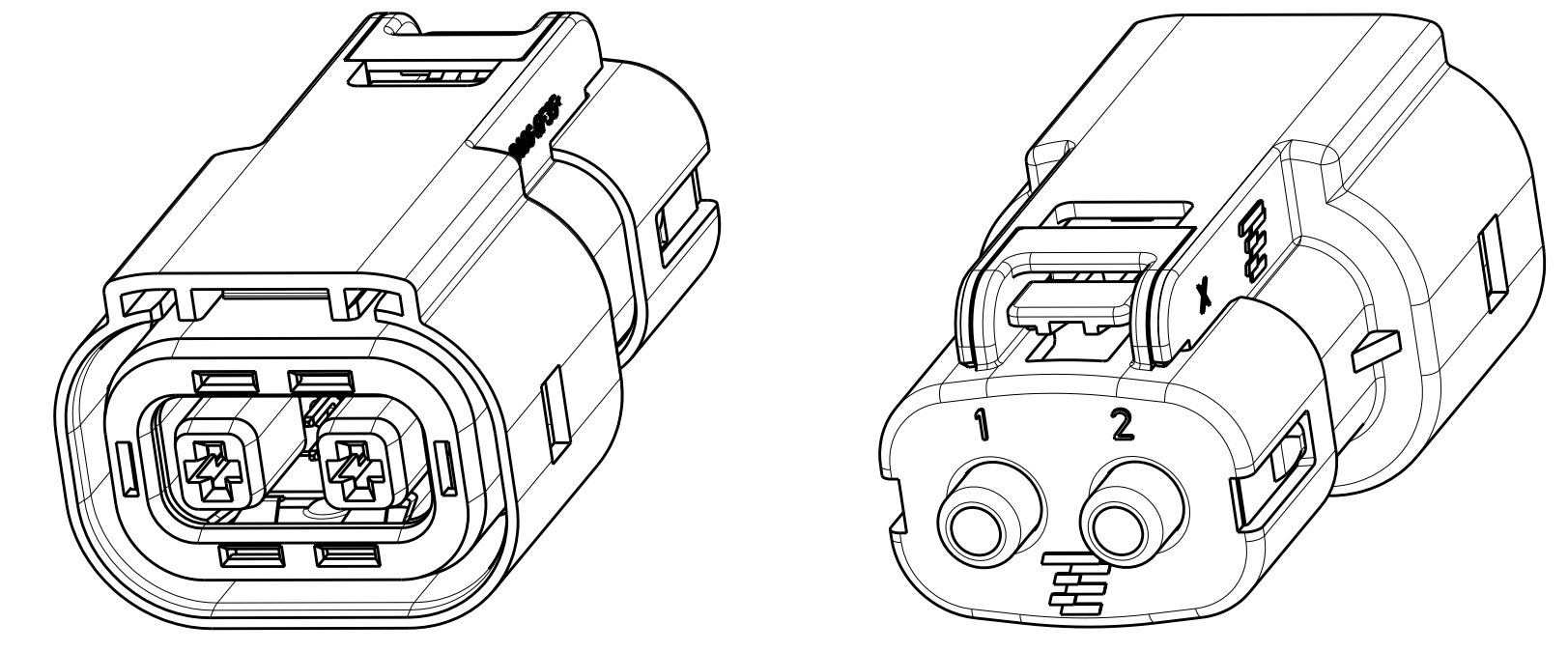
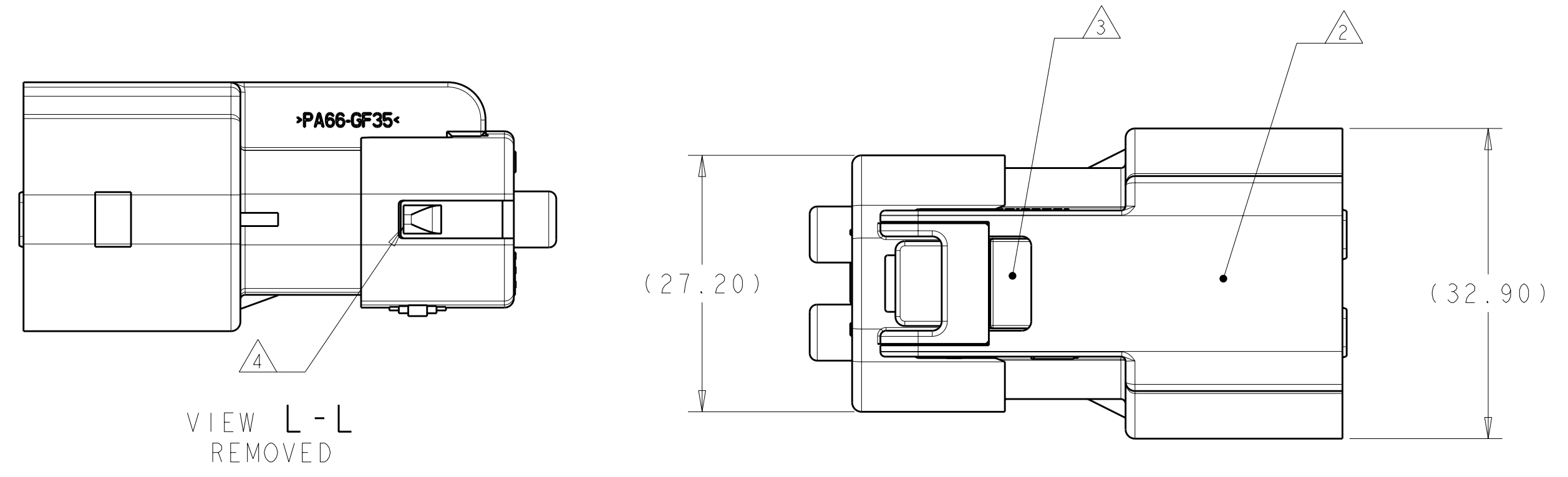
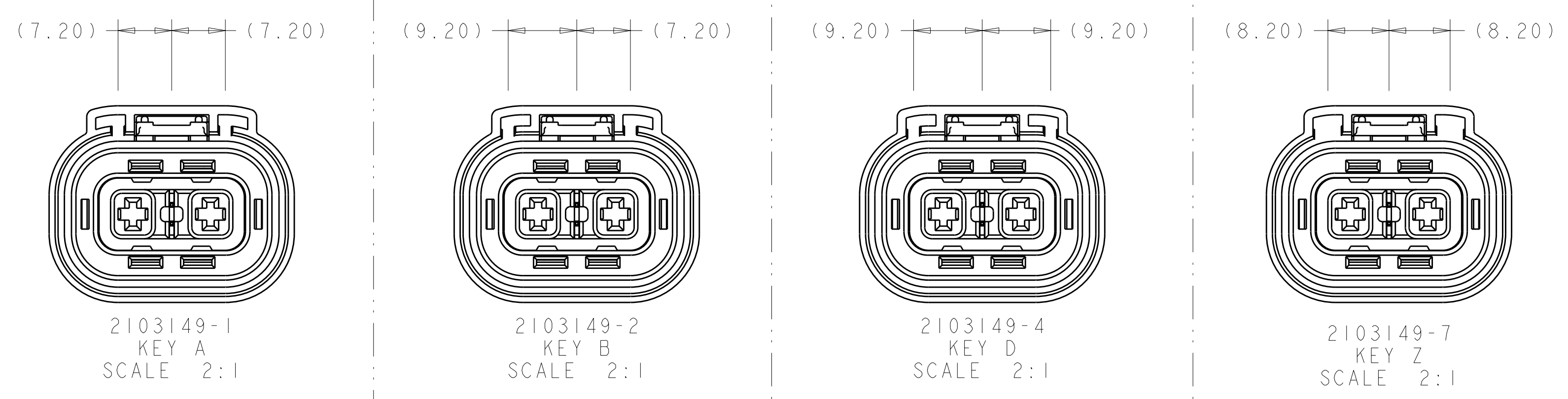
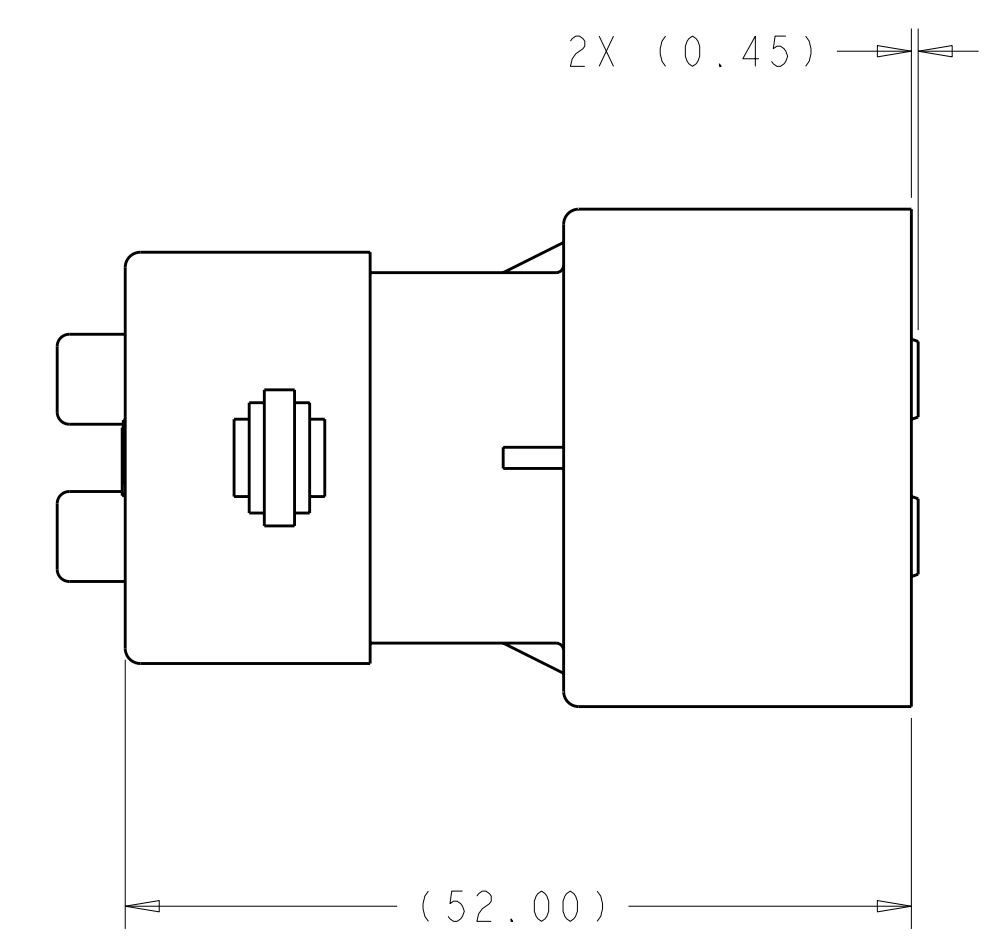


LOC	DIST	REVISIONS			
		REV	DATE	BY	APPD
HV	00	A	14FEB2012	DS	AT
		A1	12MAR2012	DS	AT



- CONNECTOR MUST BE FREE OF ANY MECHANICAL DEFECTS WHICH MAY AFFECT FIT, FORM, OR PERFORMANCE
- PLUG SUB ASSEMBLY PART NUMBER AND JULIAN DATE CODE MARKED IN THIS AREA
- FLOATING LATCH MUST BE FULLY INSTALLED AS SHOWN
- WIRE SEAL RETAINER MUST BE FULLY LOCKED IN TWO LOCATIONS ONTO OUTER HOUSING.
- NOTE DELETED



DESCRIPTION	PART NO
PLUG, HVIL ONLY, KEY Z, HVA280-2PHI	2103149-7
PLUG, HVIL ONLY, KEY D, HVA280-2PHI	2103149-4
PLUG, HVIL ONLY, KEY B, HVA280-2PHI	2103149-2
PLUG, HVIL ONLY, KEY A, HVA280-2PHI	2103149-1

THIS DRAWING IS A CONTROLLED DOCUMENT. DIMENSIONING AND TOLERANCING PER ASME Y14.5M-2009		DWN D SIMPSON 28OCT2010 CHK A TYLER 28OCT2010	TE Connectivity	
DIMENSIONS: mm	TOLERANCES UNLESS OTHERWISE SPECIFIED:	PRODUCT SPEC 108-2394	NAME PLUG, HVIL ONLY, HVA280-2PHI	
0 PLC ±.2	1 PLC ±0.10	APPLICATION SPEC 114-13259	SIZE CAGE CODE DRAWING NO	RESTRICTED TO
2 PLC ±0.13	3 PLC ±0.0001	WEIGHT	A1100779C=2103149	
4 PLC ±0.0001	ANGLES ±1°	CUSTOMER DRAWING	SCALE 1:1	SHEET 1 OF 1 REV A1

Mouser Electronics

Authorized Distributor

Click to View Pricing, Inventory, Delivery & Lifecycle Information:

[TE Connectivity:](#)

[2103149-2](#)