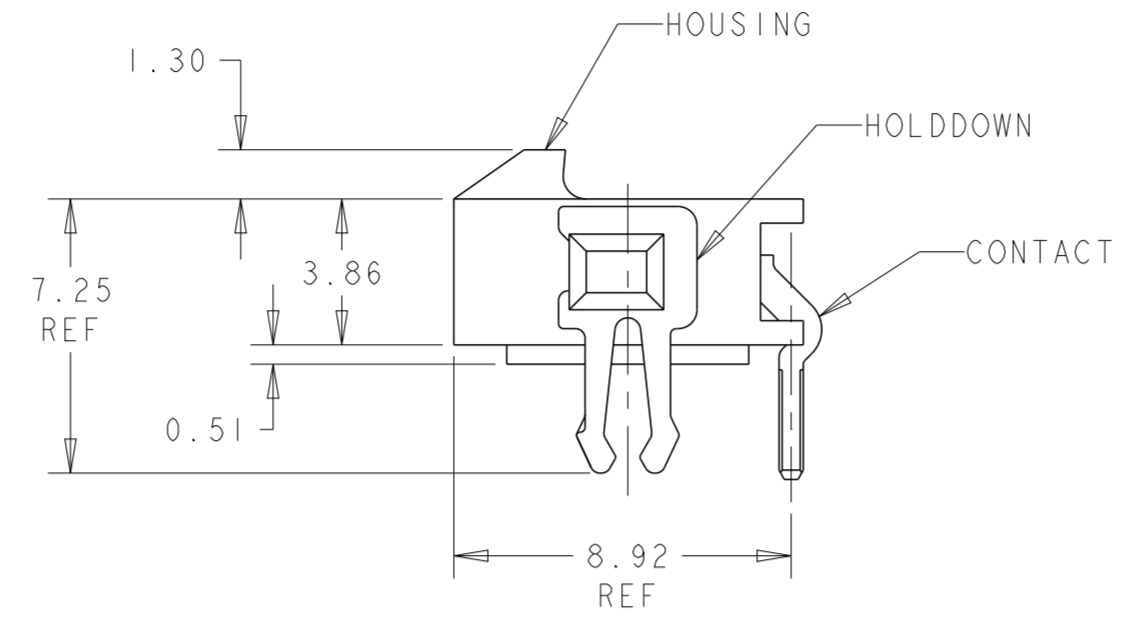
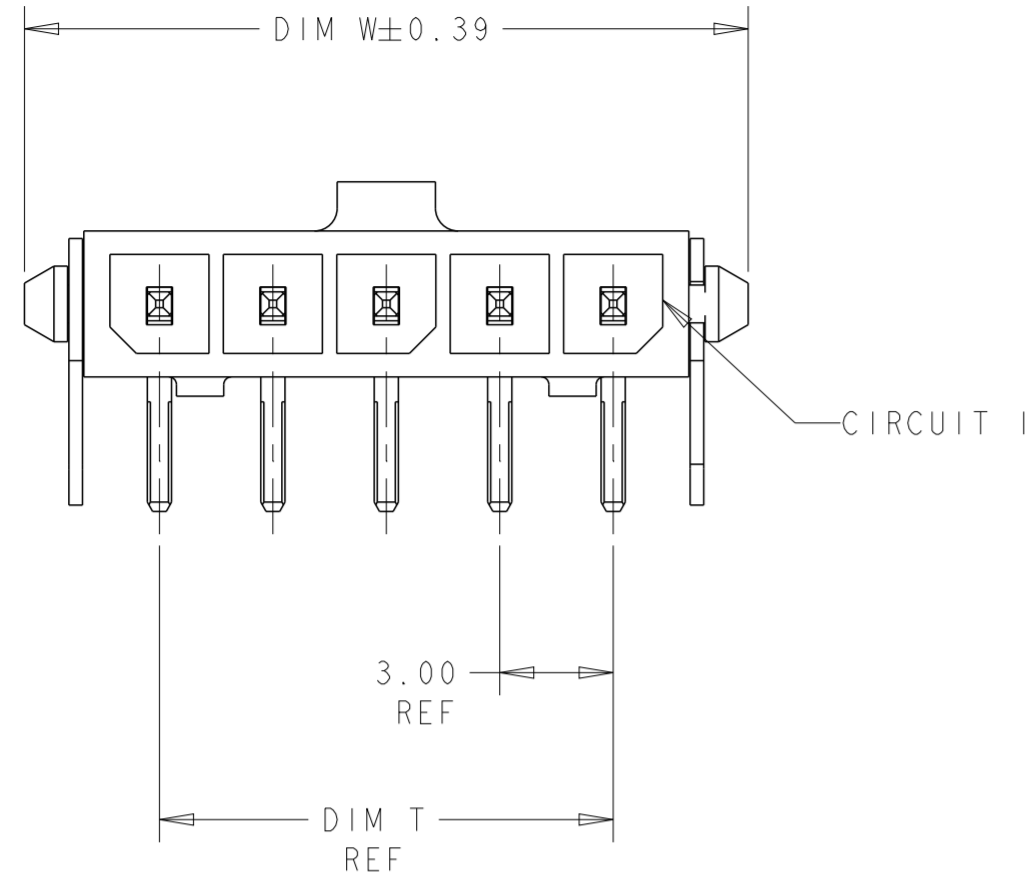
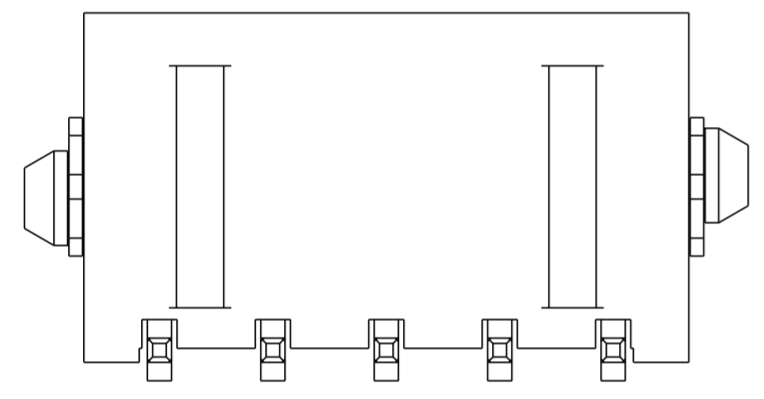


THIS DRAWING IS UNPUBLISHED. RELEASED FOR PUBLICATION 2011  
 © COPYRIGHT 2011 ALL RIGHTS RESERVED.

REVISIONS					
P	LTR	DESCRIPTION	DATE	DWN	APVD
A2		REVISED PER ECR-16-011494	26JUN2017	NK	CX

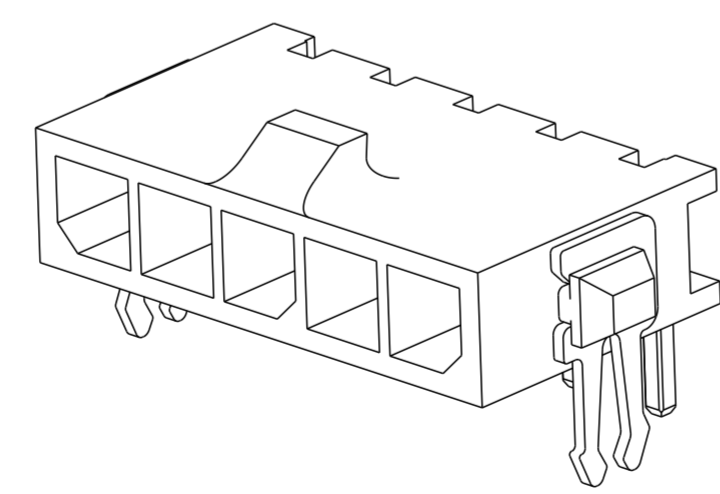
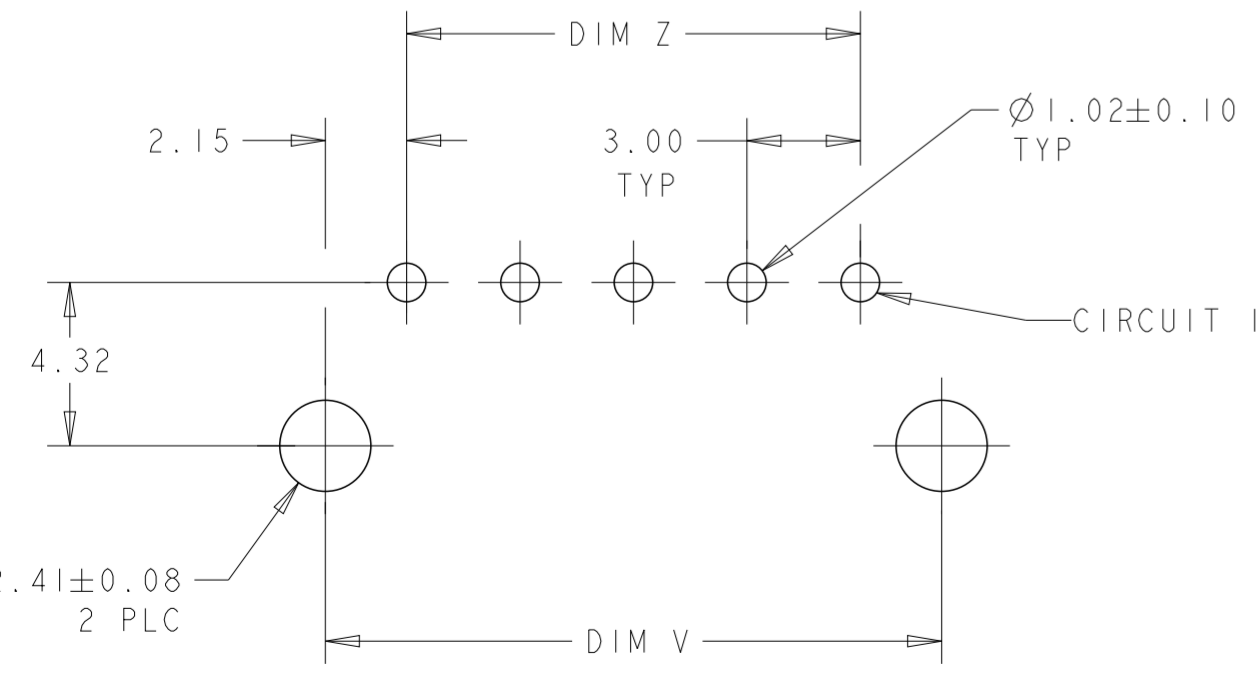


- 1 MATERIAL: CONTACTS - BRASS  
HOUSING - UL 94V-0 RATED HIGH TEMP NYLON, COLOR BLACK.  
HOLDDOWNS: - PHOSPHOR BRONZE.
- 2 PLATING: CONTACTS - 0.38µm MINIMUM GOLD ON MATING END,  
2.54µm MINIMUM TIN LEAD ON SOLDER TAILS, BOTH OVER  
1.27µm MINIMUM NICKEL.  
HOLDDOWNS: 2.54µm MINIMUM TIN-LEAD OVER 1.27µm MINIMUM  
NICKEL.
- 4 RECOMMENDED PC BOARD THICKNESS OF 1.57.
- 5 PLATING: CONTACTS - 0.38µm MINIMUM GOLD ON MATING END,  
2.54µm MINIMUM MATTE TIN ON SOLDER TAILS, BOTH OVER  
1.27µm MINIMUM NICKEL.  
HOLDDOWNS: 2.54µm MINIMUM MATTE TIN OVER 1.27µm MINIMUM  
NICKEL.



5	33.00	37.43	33.00	40.14	12	3-1445088-2
5	30.00	34.43	30.00	37.14	11	3-1445088-1
5	27.00	31.43	27.00	34.14	10	3-1445088-0
5	24.00	28.43	24.00	31.14	9	2-1445088-9
5	21.00	25.43	21.00	28.14	8	2-1445088-8
5	18.00	22.43	18.00	25.14	7	2-1445088-7
5	15.00	19.43	15.00	22.14	6	2-1445088-6
5	12.00	16.43	12.00	19.14	5	2-1445088-5
5	9.00	13.43	9.00	16.14	4	2-1445088-4
5	6.00	10.43	6.00	13.14	3	2-1445088-3
5	3.00	7.43	3.00	10.14	2	2-1445088-2

SUPERCEDED BY 3-1445088-2	2	33.00	37.43	33.00	40.14	12	+1445088-2-
SUPERCEDED BY 3-1445088-1	2	30.00	34.43	30.00	37.14	11	+1445088-1-
SUPERCEDED BY 3-1445088-0	2	27.00	31.43	27.00	34.14	10	+1445088-0-
SUPERCEDED BY 2-1445088-9	2	24.00	28.43	24.00	31.14	9	-1445088-9-
SUPERCEDED BY 2-1445088-8	2	21.00	25.43	21.00	28.14	8	-1445088-8-
SUPERCEDED BY 2-1445088-7	2	18.00	22.43	18.00	25.14	7	-1445088-7-
SUPERCEDED BY 2-1445088-6	2	15.00	19.43	15.00	22.14	6	-1445088-6-
SUPERCEDED BY 2-1445088-5	2	12.00	16.43	12.00	19.14	5	-1445088-5-
SUPERCEDED BY 2-1445088-4	2	9.00	13.43	9.00	16.14	4	-1445088-4-
SUPERCEDED BY 2-1445088-3	2	6.00	10.43	6.00	13.14	3	-1445088-3-
SUPERCEDED BY 2-1445088-2	2	3.00	7.43	3.00	10.14	2	-1445088-2-



PCB LAYOUT COMPONENT SIDE 4

THIS DRAWING IS A CONTROLLED DOCUMENT. DWN J.ROOT 09OCT2000  
 CHK K.WHITAKER 17-APR-2001  
 APVD C.JONES 17-APR-2001

**STE** TE Connectivity

NAME: RT ANG THRU HOLE HEADER ASSY,  
0.38 MIC GOLD CONTACTS W/THRU HOLE,  
HOLDDOWNS, SGL ROW, MICRO MATE-N-LOK™

SIZE: A2 CAGE CODE: 00779 DRAWING NO: C-1445088 RESTRICTED TO: -

MATERIAL: SEE TABLE FINISH: 1

PRODUCT SPEC: -  
APPLICATION SPEC: -  
WEIGHT: -

CUSTOMER DRAWING SCALE: 5:1 SHEET: 1 OF 1 REV: A2

# Mouser Electronics

Authorized Distributor

Click to View Pricing, Inventory, Delivery & Lifecycle Information:

[TE Connectivity:](#)

[1445088-4](#)