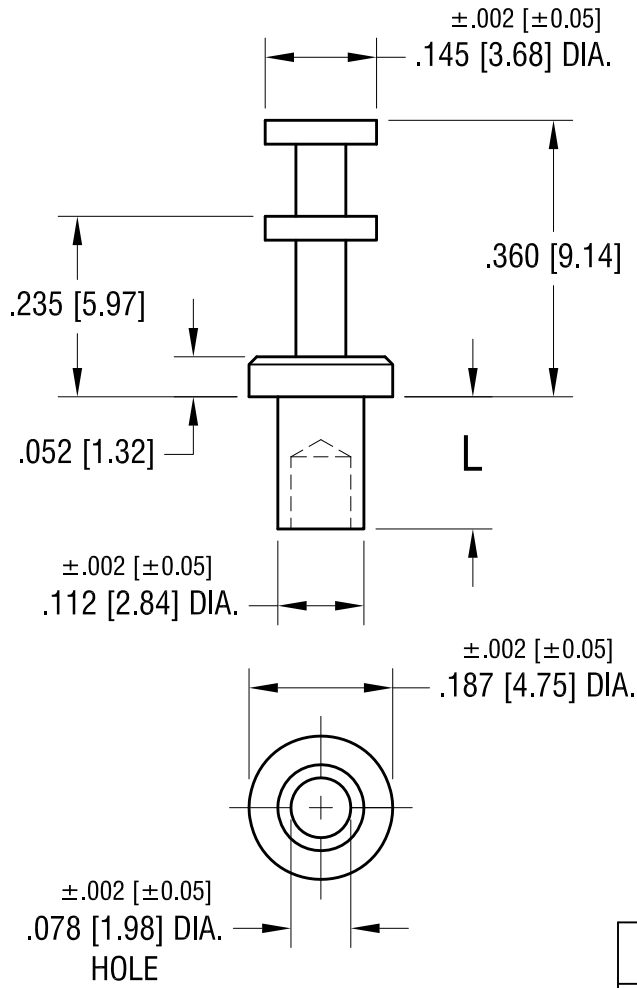


THIS DOCUMENT IS THE PROPERTY OF
KEYSTONE ELECTRONICS CORP. AND
SHALL NOT BE REPRODUCED, DISTRIBUTED
OR USED AS A BASIS FOR MANUFACTURE
WITHOUT PRIOR WRITTEN PERMISSION
FROM KEYSTONE ELECTRONICS CORP.



PART NO.	'L' DIM.
1503-1	.078 [1.98]
1503-2	.109 [2.77]
1503-3	.141 [3.58]
1503-4	.172 [4.37]

9.14.12	CHANGE AS PER ECN 12-142	C
8.30.12	CHANGE AS PER ECN 12-120	B
2.8.08	CHANGE AS PER ECN 08-076	A
DATE	DESCRIPTION	REV.

KEYSTONE ELECTRONICS CORP.			
www.keyelco.com • ASTORIA, N.Y. 11105-2017 • Tel (718) 956-8900			
PART NAME			
SOLDER TERMINAL, DOUBLE TURRET			
MATERIAL			
BRASS			
FINISH		DRN BY	DATE
TIN PLATE		BOONE	3.6.02
		APP'D	SCALE
		LN	4X
TOLERANCES	INCH [MM]	CODE	DWG NO.
DECIMAL	± .005 [± 0.15]	C	1503-
ANGULAR	± 1°		
UNLESS OTHERWISE SPECIFIED			

Mouser Electronics

Authorized Distributor

Click to View Pricing, Inventory, Delivery & Lifecycle Information:

[Keystone Electronics:](#)

[1503-2](#)