

LOC	DIST	REVISIONS					
CE	16	F	LTR	DESCRIPTION	DATE	DWN	APVD
		A	DRAWN		12JAN06	EH	AP

THREADED INSERT #M6 X 1-6H THREAD
 MATERIAL BRASS

△ MATERIAL: THERMOPLASTIC ELASTOMER
 ARNITEL PL460S
 FLAMABILITY RATING: UL94V-0
 COLOR: BLACK

2. BULK PACKAGE 25 PCS.

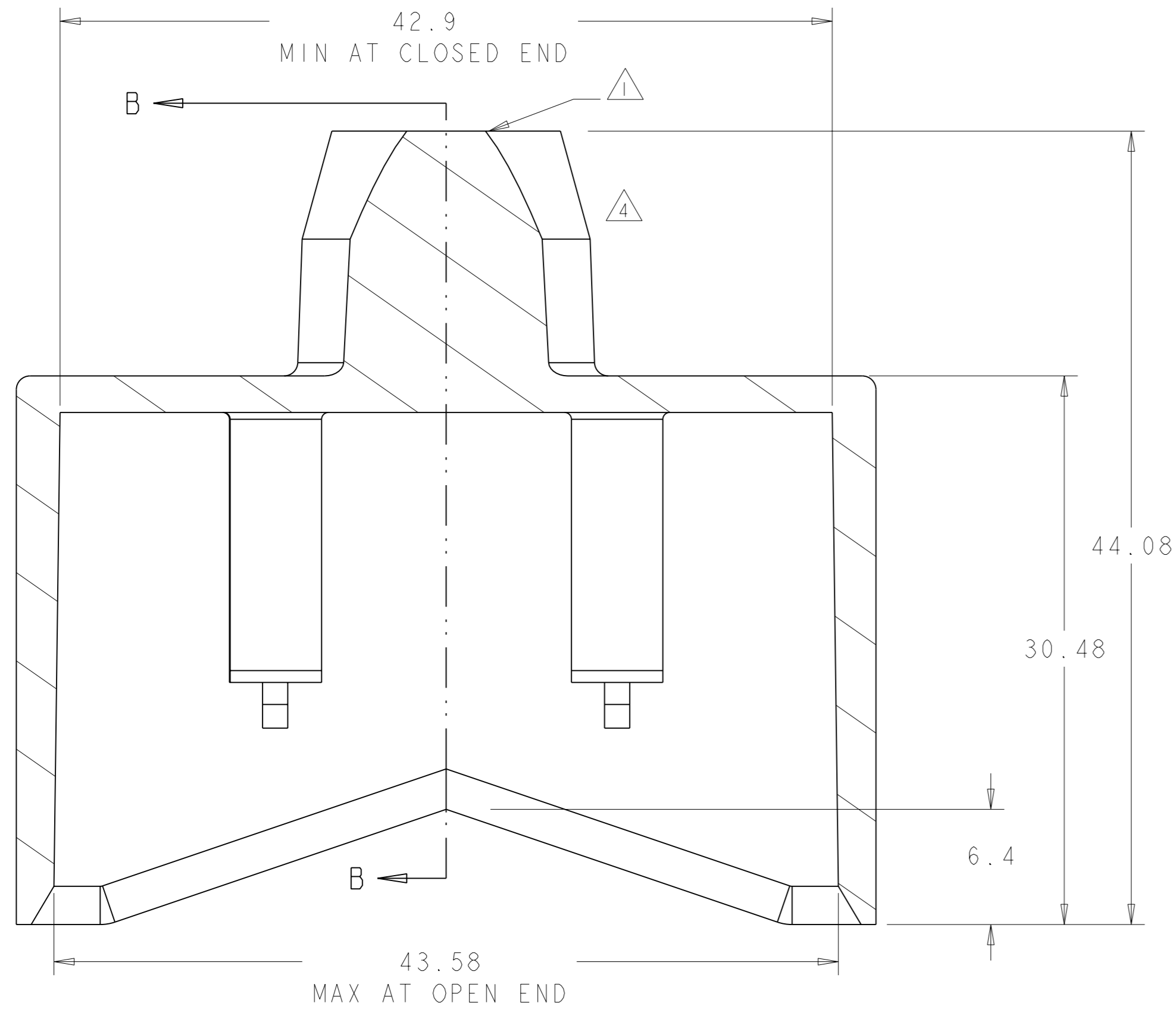
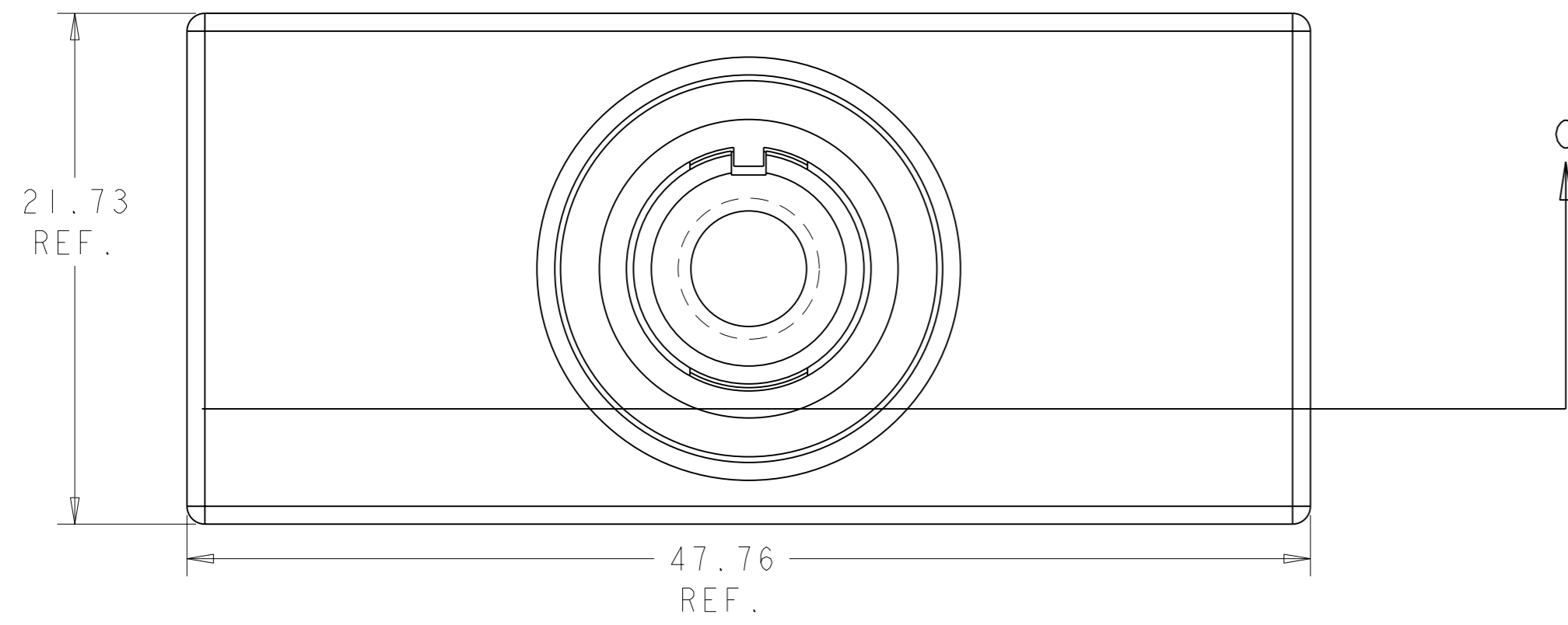
3. RETENTION FORCE 1/2 LB MIN.

△ USE HANDLE PART NUMBER 503967-5 WITH
 DUST COVER ASSEMBLY.

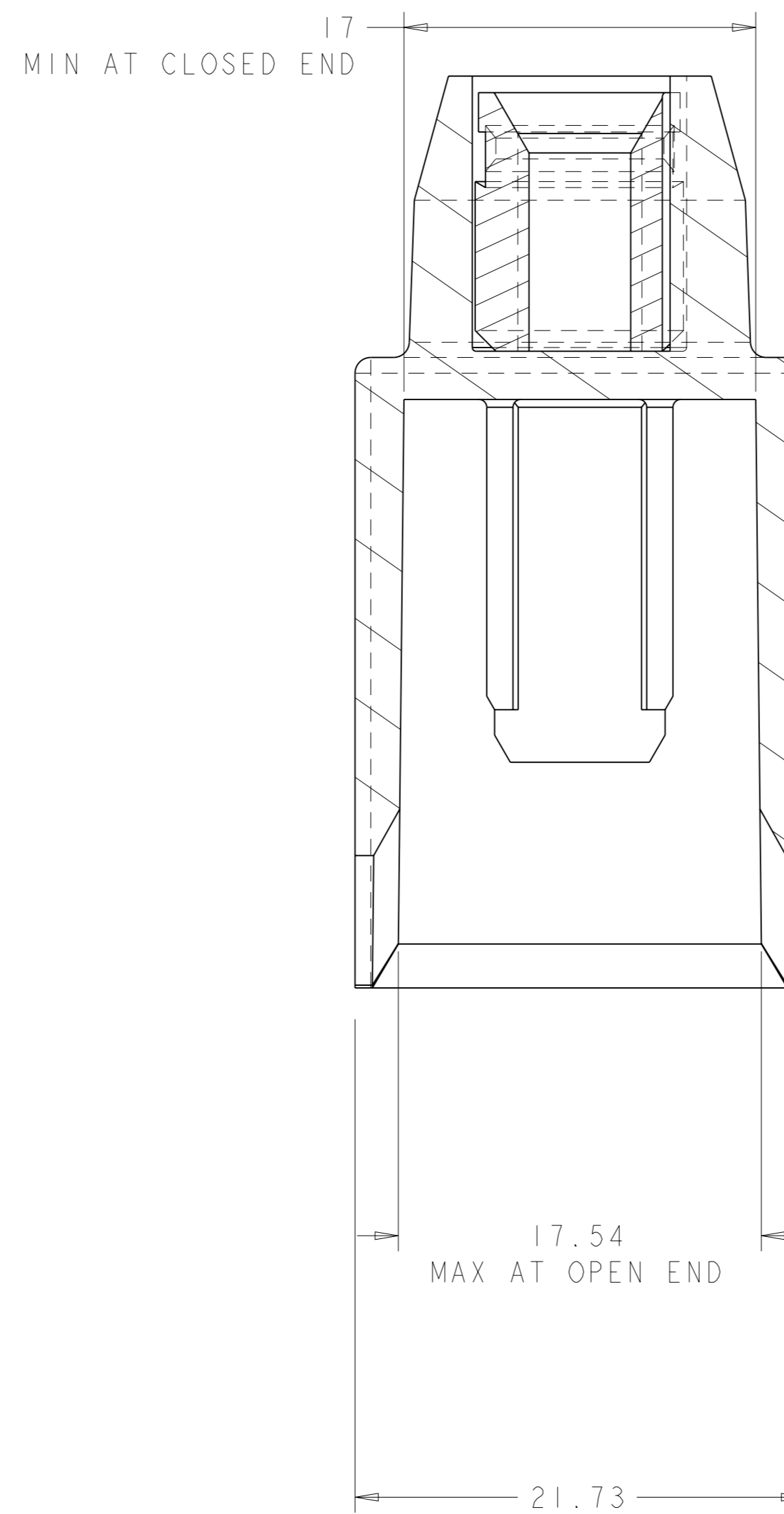
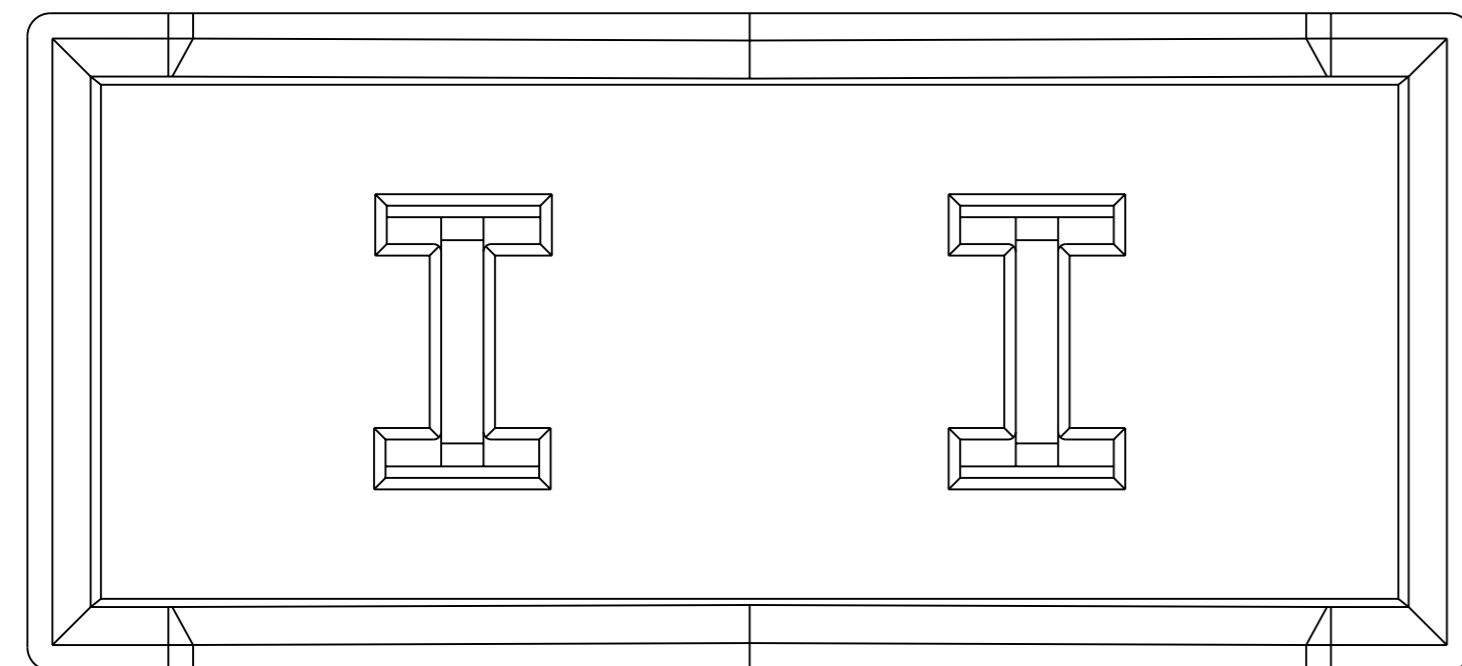
△ MATERIAL: THERMOPLASTIC ELASTOMER
 ARNITEL PL460S
 FLAMABILITY RATING: UL94V-0
 COLOR: RED

△ MATERIAL: THERMOPLASTIC ELASTOMER
 ARNITEL PL460S
 FLAMABILITY RATING: UL94V-0
 COLOR: GREEN

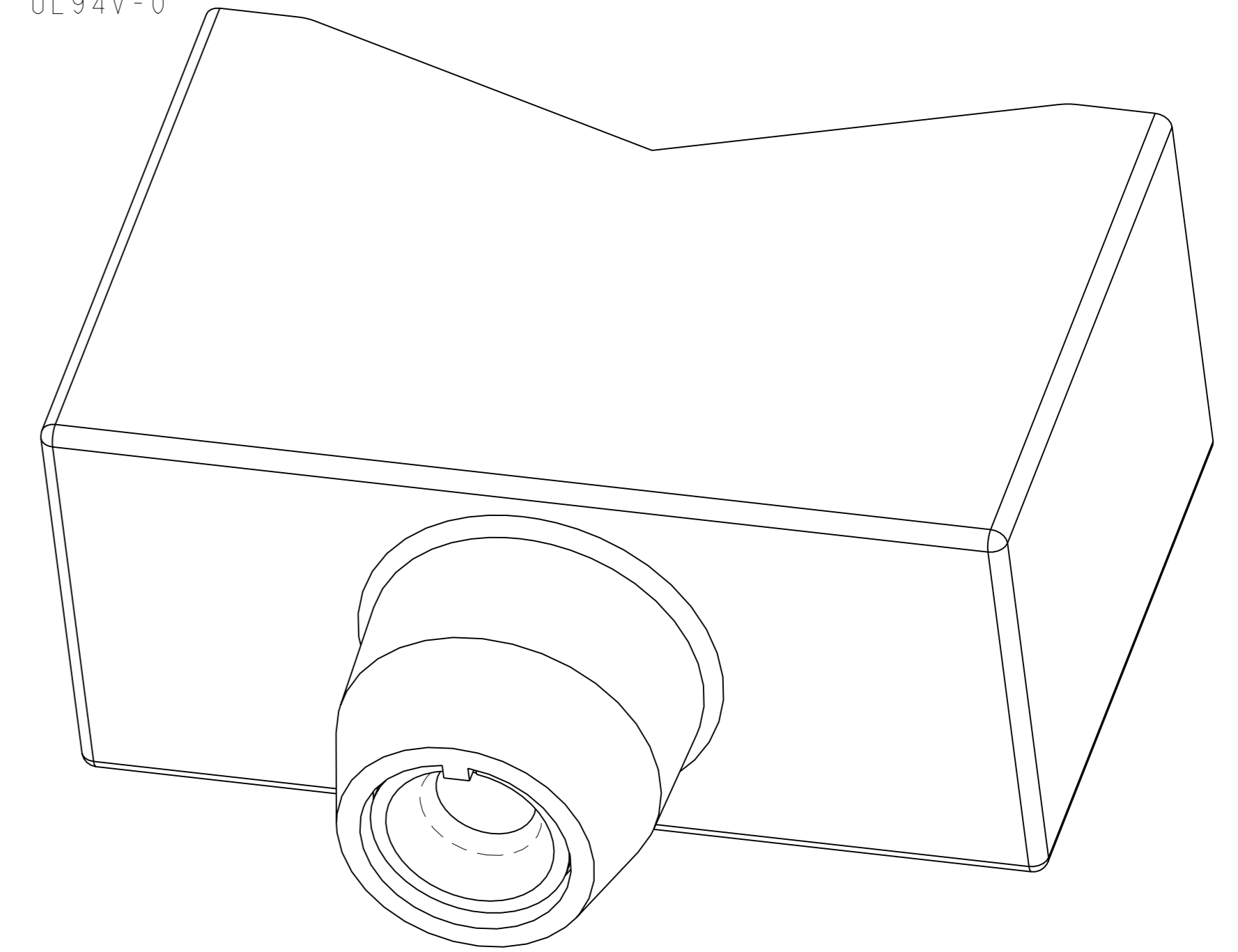
△ MATERIAL: THERMOPLASTIC ELASTOMER
 ARNITEL PL460S
 FLAMABILITY RATING: UL94V-0
 COLOR: BLUE



SECTION C-C



SECTION B-B



SCALE 4:1

COLOR	MATERIAL	PART NO.
BLUE	△	6588897-7
GREEN	△	6588897-5
RED	△	6588897-3
BLACK	△	6588897-1

DIMENSIONS: mm 		TOLERANCES UNLESS OTHERWISE SPECIFIED: 0 PLC ± 1 PLC ±0.2 2 PLC ±0.13 3 PLC ± 4 PLC ± ANGLES 2°		DWN E. HALEY 12JAN06 CHK A PLOTS 12JAN06 APVD A PLOTS 12JAN06 PRODUCT SPEC APPLICATION SPEC		NAME DUST COVER, 1X4 VERTICAL, LIGHTRAY MPX	
MATERIAL FINISH		WEIGHT CUSTOMER DRAWING		SIZE CASE CODE DRAWING NO A 00779 C=6588897		RESTRICTED TO SCALE 3:1 SHEET 1 OF 1 REV A	

Mouser Electronics

Authorized Distributor

Click to View Pricing, Inventory, Delivery & Lifecycle Information:

[TE Connectivity:](#)

[6588897-3](#)