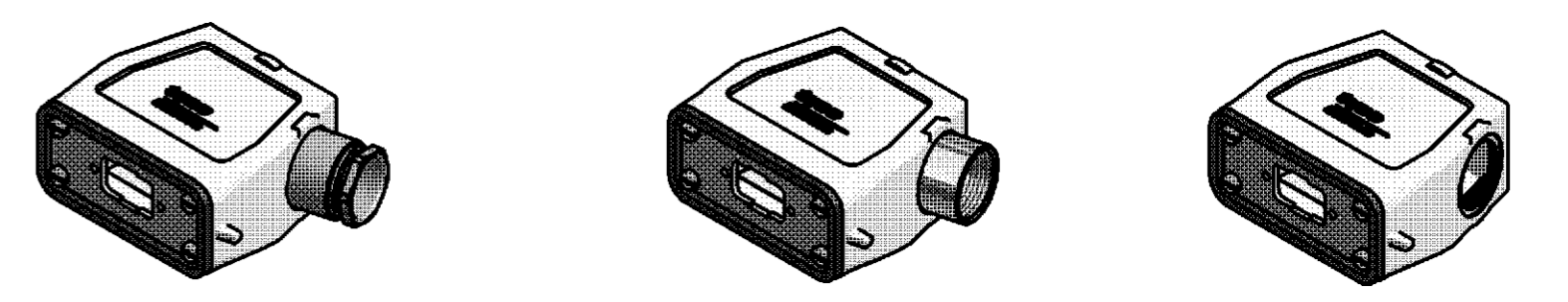
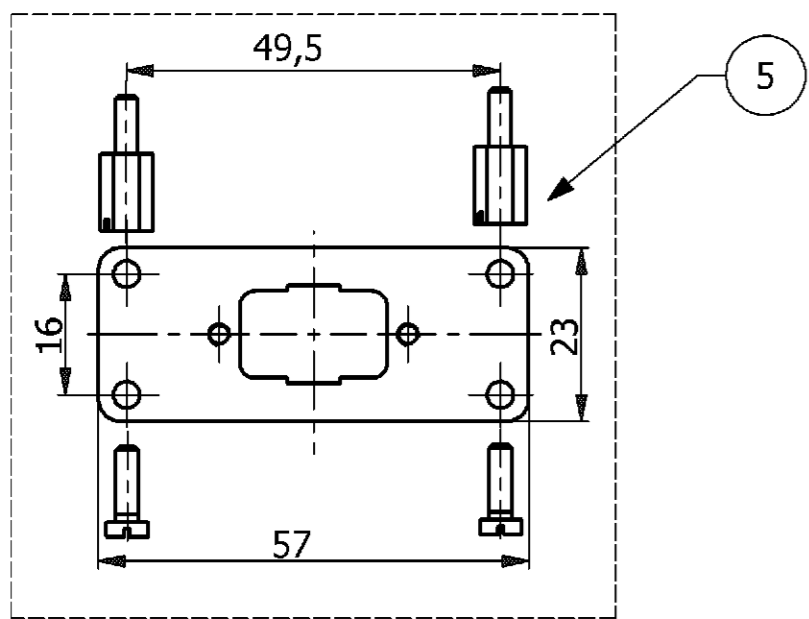
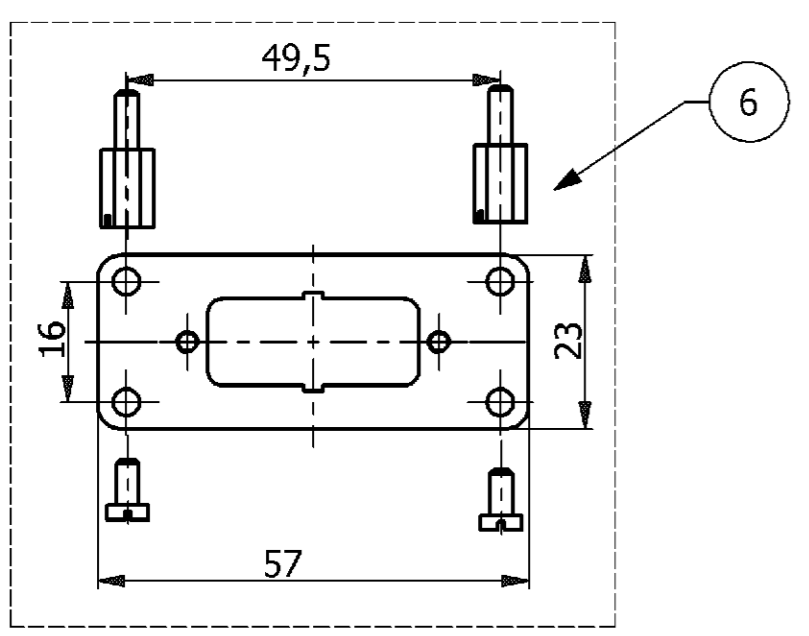
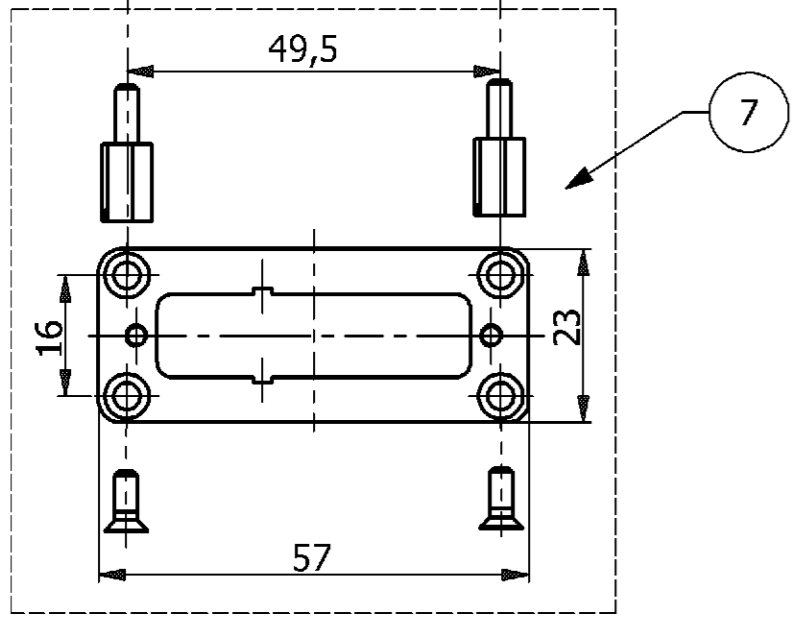
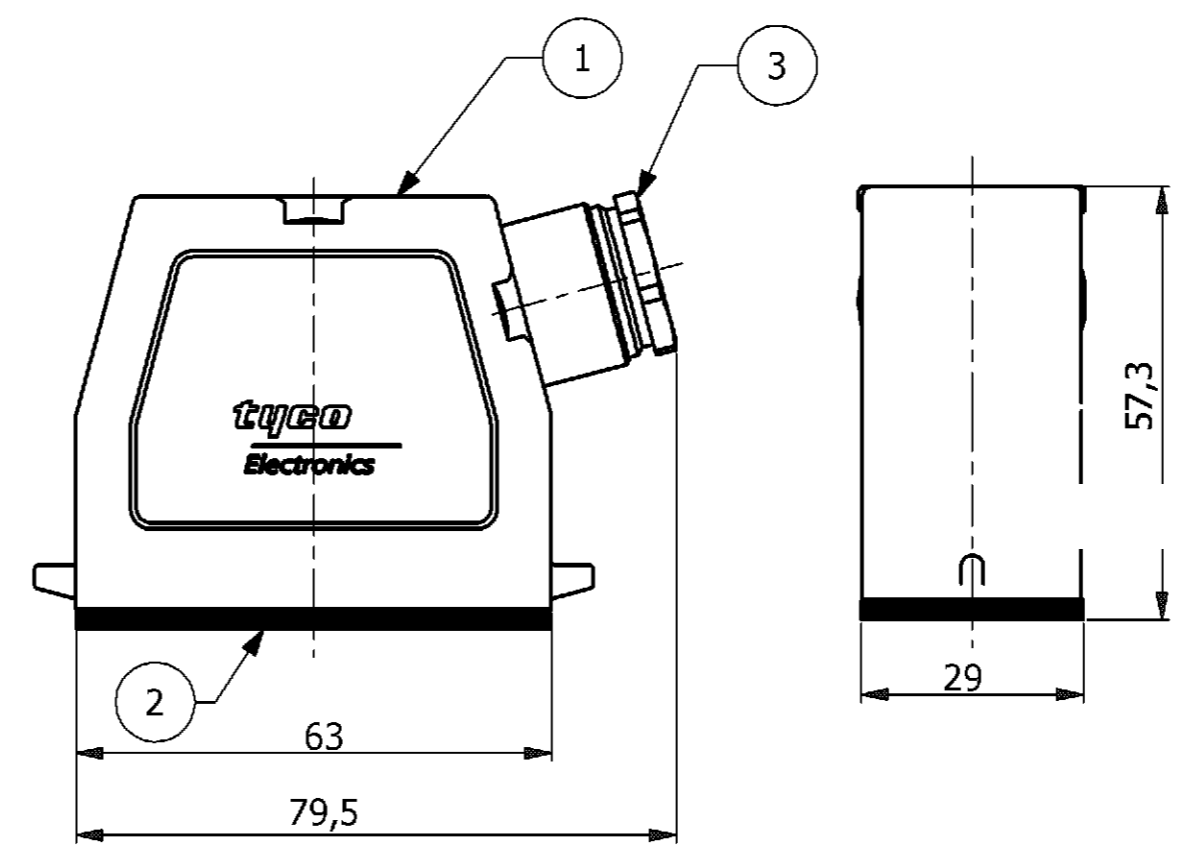
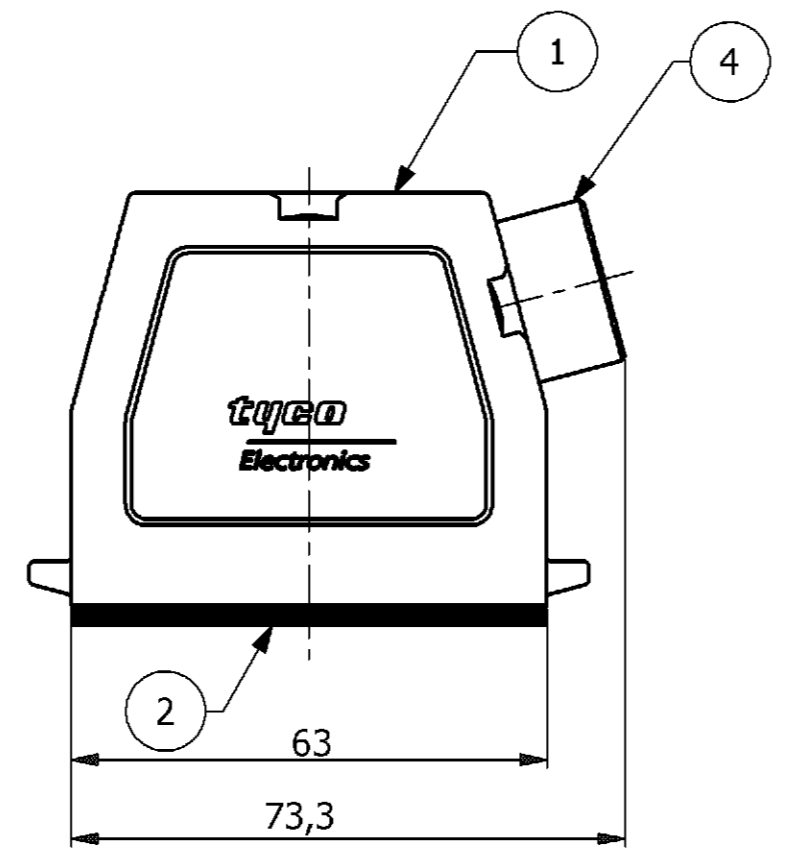
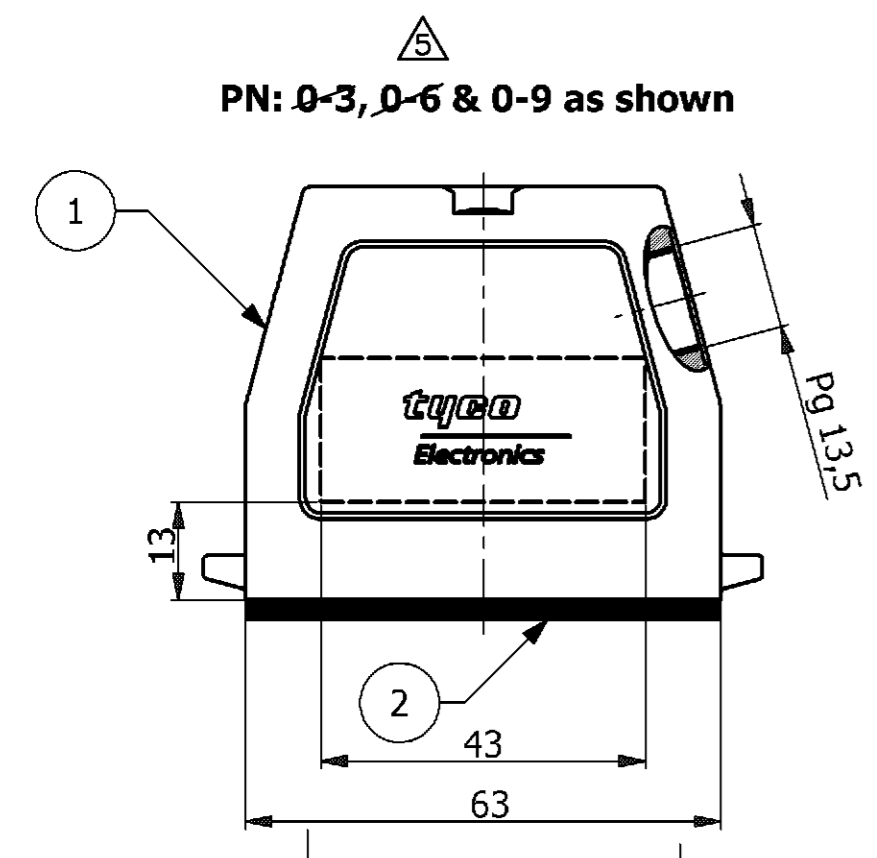


LOC	DIST	REVISIONS ÄNDERUNGEN		
P	LTR	DESCRIPTION BESCHREIBUNG	DATE	DWN APVD
AI	-			
PROJEKT NR. EGGMA05416		B2 REVISED PER ECO-09-026495	28NOV09	KK AEG
		B3 ECR-16-016780	23SEP2017	GA MKO
		B4 ECR-17-013079	15MAR18	SG MKO

- NOTES,**
- 1 PACKAGING QUANTITY: 5 PIECES PER BOX
  - 2 MATERIAL: HOUSING: ALUMINIUM DIECASTING ALLOY  
SEALS : NEOPRENE
  - 3 SURFACE:POWDER VARNISH GREY  
ALUMINIUM OXIDE + VARNISH BLACK
  - 4 VARNISH ON THE INSIDE NOT NECESSARY
  - 5 OBSOLETE PARTS: OBSOLETE CIS STREAMLINING  
PER D.RENAUD/D.SINISI
  - 6 OBSOLETE



PN: ~~0-2, 0-5 & 0-8~~ (marked obsolete)  
PN: 0-1, 0-4 & 0-7  
PN: 0-3, 0-6 & 0-9

6	5	6	6	5	6	2	3	3						
OBSOLETE	OBSOLETE	OBSOLETE	OBSOLETE	OBSOLETE	OBSOLETE									
	1								7	Packed Separately in PE bag				
	-								6	Packed Separately in PE bag				
	-								5	Packed Separately in PE bag				
	1								4	-				
	-								3	-				
	1								2	-				
	1								1	-				
0-9	0-8	0-7	0-6	0-5	0-4	0-3	0-2	0-1	DESCRIPTION	MATERIAL	SURFACE	COLOR	ITEM	REMARKS
									Mounting Plate, 1x25	St2K40GBK	Zinc Plated	Blue	7	Packed Separately in PE bag
									Mounting Plate, 1x15	St2K40GBK	Zinc Plated	Blue	6	Packed Separately in PE bag
									Mounting Plate, 1x9	St2K40GBK	Zinc Plated	Blue	5	Packed Separately in PE bag
									Cable Gland Pg13,5	Brass	Nickel Plated	-	4	-
									Adaptor Round Pg13,5	Brass	Nickel Plated	-	3	-
									Profile Seal	Neoprene	-	Black	2	-
									Hood, HA.10,Pg13,5	Aluminium	-	Grey	1	-
									ORDERING TEXT					
									HA.10.SM.STS.1.13,5 AM 1x9					
									HA.10.SM.STS.1.13,5.Z/AM 1x9					
									HA.10.SM.STS.1.13,5.G/AM 1x9					
									HA.10.SM.STS.1.13,5 AM 1x15					
									HA.10.SM.STS.1.13,5.Z/AM 1x15					
									HA.10.SM.STS.1.13,5.G/AM 1x15					
									HA.10.SM.STS.1.13,5 AM 1x25					
									HA.10.SM.STS.1.13,5.Z/AM 1x25					
									HA.10.SM.STS.1.13,5.G/AM 1x25					

THIS DRAWING IS A CONTROLLED DOCUMENT FOR AMP INCORPORATED. IT IS SUBJECT TO CHANGE AND THE CARRYING REVISED. DIESE ZEICHNUNG IST EIN KONTROLLIERTES DOKUMENT FÜR AMP INCORPORATED. ES IST AN DER VERÄNDERUNG UND DER FÜHRUNG VON NEUER AUSGABEN. DER JEWELIGS LETZTGÜLTIGEN ÄNDERUNGSSTAND ERFAHREN SIE AUF ANFRAGE.

DIMENSIONS: mm  
TOLERANCES UNLESS OTHERWISE SPECIFIED: ALLOSCHNITTLEITUNGEN  
n. ISO 8015 - #  
n. ISO 2768 - #  
n. DIN 16901 - #

1 PLC #  
2 PLC #  
3 PLC #  
ANGLES / WINKEL #

MATERIAL  
FINISH / OBERFLÄCHE / FARBE

DWN R.SRINIVAS 3/3/2006  
CHK R.SRINIVAS 3/3/2006  
APVD T.SCHNURPFEL 3/3/2006

NAME HOOD  
HA.10.STS.1.13,5/AM1X9/1X15/1X25

SIZE A2  
CAGE CODE 00779  
DRAWING NO. 1107100  
RESTRICTED TO NUR FÜR

CUSTOMER DRAWING / KUNDENZEICHNUNG  
SCALE 1:1  
SHEET 1 OF 1  
REV B4

# Mouser Electronics

Authorized Distributor

Click to View Pricing, Inventory, Delivery & Lifecycle Information:

[TE Connectivity:](#)

[1107100-9](#)