

DRAWING MADE IN THIRD ANGLE PROJECTION

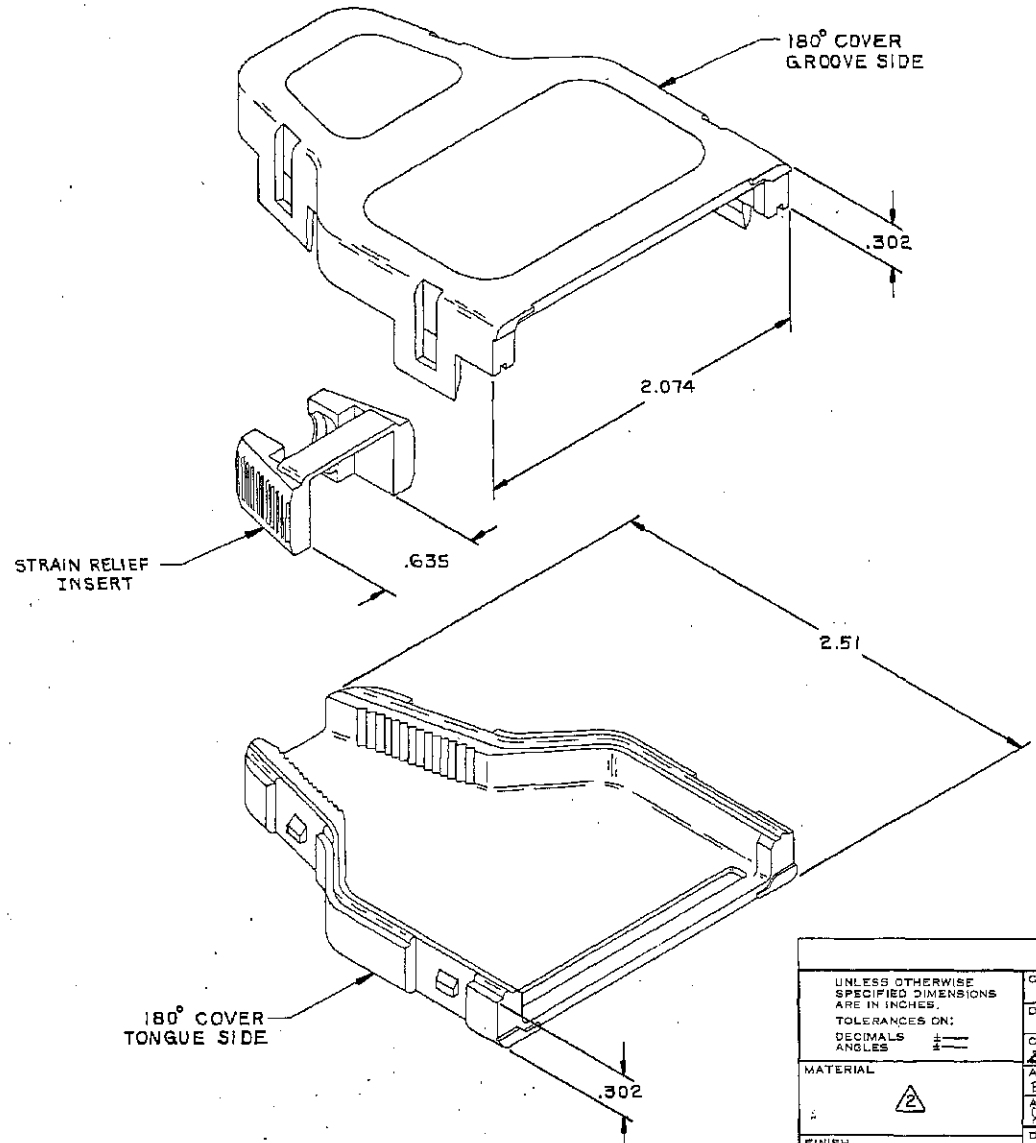
GP 00

THIS DRAWING IS UNPUBLISHED. RELEASED FOR PUBLICATION 19  
 © COPYRIGHT 19 BY AMP INCORPORATED, HARRISBURG, PA. ALL INTERNATIONAL RIGHTS RESERVED. AMP PRODUCTS MAY BE COVERED BY U.S. AND FOREIGN PATENTS AND/OR PATENTS PENDING.

REVISES		DESCRIPTION	DATE APPROVED
F	ZONE/LTR		
C		REVISED PER EC 0511-0216-03	08SEP04 JG

D  
C  
B  
A

D  
C  
B  
A



1. ALL DIMENSIONS SHOWN ARE MAXIMUM UNLESS OTHERWISE SPECIFIED.
2. MATERIAL: COVERS- POLYPHENYLENE OXIDE, BLACK. STRAIN RELIEF- POLYPROPYLENE, BLACK. LOMOD, BLACK.
3. CABLE RANGE: .250-.500 DIAMETER.
4. THIS KIT SHIPPED NOT ASSEMBLED.

554945

POLY BAG	554945-1
PACKAGED	PART NO

UNLESS OTHERWISE SPECIFIED DIMENSIONS ARE IN INCHES. TOLERANCES ON: DECIMALS ± ANGLES ±	CONTRACT NO	AMP   AMP INCORPORATED Harrisburg, Pa. 17105	
	DR <i>C. Gandy</i> 3/18/86	NAME COVER KIT, 180°, 36 POSITION, SHIELDED CHAMP	
	CHK <i>B. Fox</i> 4/22/86	APPD B. Hutchins 5/27/86	
	MATERIAL △	APPD C. B. Williams 5-27-86	DSGN APPD
FINISH	SIZE C	FSCM NO 00779	DRAWING NO 554945
	SCALE 2:1	SHEET 1 OF 1	

AMP 1471-6 REV 2-81

CUSTOMER DRAWING

# Mouser Electronics

Authorized Distributor

Click to View Pricing, Inventory, Delivery & Lifecycle Information:

[TE Connectivity:](#)

[554945-1](#)