

Electronic housing - UEGM-MSTB - 2781453

Please be informed that the data shown in this PDF Document is generated from our Online Catalog. Please find the complete data in the user's documentation. Our General Terms of Use for Downloads are valid (<http://phoenixcontact.com/download>)




Electronic housing, for PCB insertion, with 12-pos. Combicon pin strip

Your advantages

- ✓ Efficient assembly thanks to overlapping housing parts
- ✓ Unused LED cutouts can be sealed with UEGM MSTB-BS filler plugs
- ✓ Plug-in connection can be keyed with CP-MSTB/CR-MSTB to prevent incorrect polarity
- ✓ Can be snapped onto standard NS 35/7,5 and NS 35/15 DIN rails
- ✓ Integration of 3 mm LEDs (max. leg length of 29 mm)
- ✓ The MSTB-BL keying tab can be used to cover individual contact pins in order to form sections on the pin strip

Key Commercial Data

Packing unit	10 pc
GTIN	 4 017918 068967
GTIN	4017918068967

Technical data

General

Housing type	Complete housing
Housing material	Polyamide (PA 6.6)
Color (RAL)	green

Ambient conditions

Ambient temperature (operation)	-40 °C ... 105 °C
---------------------------------	-------------------

Dimensions

Length	79 mm
Height	90.5 mm
Width	25 mm
Depth	79 mm

Electronic housing - UEGM-MSTB - 2781453

Technical data

Technical data

Power dissipation without gap	4 W
Power dissipation with 20 mm gap	10 W
Number of positions	12

Standards and Regulations

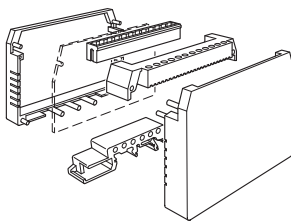
Flammability rating according to UL 94	V2
--	----

Environmental Product Compliance

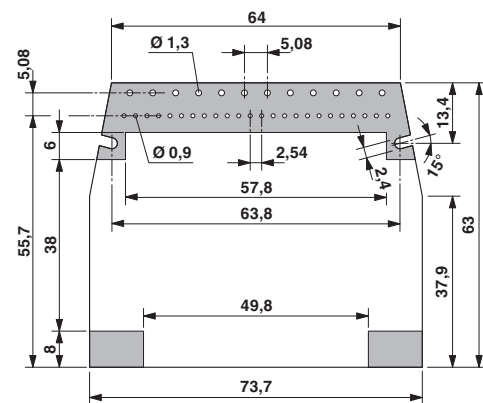
China RoHS	Environmentally friendly use period: unlimited = EFUP-e
	No hazardous substances above threshold values

Drawings

Explosion drawing

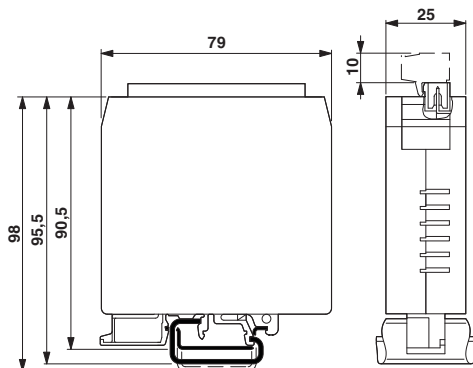


Dimensional drawing

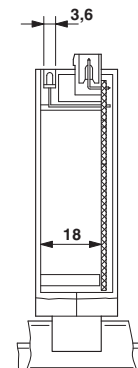


Soldering side of PCB layout
1 = Overall component area

Dimensional drawing



Dimensional drawing



Maximum height of the components on the PCB

Electronic housing - UEGM-MSTB - 2781453

Approvals


Approvals


Approvals

UL Recognized / EAC

Ex Approvals

Approval details

UL Recognized		http://database.ul.com/cgi-bin/XYV/template/LISEXT/1FRAME/index.htm	FILE E 240868
---------------	---	---	---------------

EAC			B.01742
-----	--	--	---------

Phoenix Contact 2018 © - all rights reserved
<http://www.phoenixcontact.com>

PHOENIX CONTACT GmbH & Co. KG
Flachsmarktstr. 8
32825 Blomberg
Germany
Tel. +49 5235 300
Fax +49 5235 3 41200
<http://www.phoenixcontact.com>

Mouser Electronics

Authorized Distributor

Click to View Pricing, Inventory, Delivery & Lifecycle Information:

[Phoenix Contact:](#)

[2781453](#)