



2.75W Compact Fixed Blade Charger (Europe) Ecodesign Compliant USB Adapter



Features

- Fixed Blade
- CC & CV control
- Ecodesign ErP Directive 2009/125/EC level 2 annex 1b Compliant
- Ecodesign EU CoC Ver 5 Tier 2 Compliant
- Low Cost
- 5 Star Standby power <0.03W
- No Y Cap
- Halogen Free

Applications

- MPEG Players
- PDA
- Personal Electronics
- Digital Camera

Safety Approvals

- CE

Mechanical Characteristics

- Length: 42mm (1.65in)
- Width: 43mm (1.65in)
- Height: 21.0mm (0.87in)
- Weight: 80g (3oz)

Output Specifications

Model	DC Output Voltage	Load		Ripple (1) P-P (max)	Regulation		Case Color
		Min.	Max.		Line	Load	
PSM03E-050Q	5V	0A	0.55A	100mV	±5%		Black
PSM03E-050Q-3W	5V	0A	0.55A	100mV	±5%		White

Note: (1) Measured after 10 minutes with by-pass capacitors 0.1uf // 10uf at output connector terminal and oscilloscope set at 20MHz.

Phihong is not responsible for any error, and reserves the right to make changes without notice. Please visit our website at www.phihong.com for the most up-to-date specifications and contact information.

INPUT:

AC Input Voltage Rating

100 to 240VAC

AC Input Voltage Range

90 to 264VAC

AC Input Current

0.1A(RMS) max.

Leakage Current

0.20mA @ 264VAC

Inrush Current (cold)

<30A for 120VAC at max. load

<60A for 240VAC at max. load

(Cold start @ ambient 25°C)

Input Power Saving

<30mW max. @ 230VAC at no load

OUTPUT:

Power

2.75W Maximum

Efficiency

EU CoC Ver 5 Tier 2

No-Load Power Saving

0.03W maximum at 115VAC/230VAC

Hold-up Time

10mS min. @ 120VAC and max. load

Over-voltage Protection

>120%, Zener Clamp

ENVIRONMENTAL:

Temperature

Operation 0 to +40°C

Non-operation -25 to +85°C

Humidity

Operation 10 to 90%

Immunity

ESD: EN61000-4-2. Level 4

Surge: EN61000-4-5. Level 4

Harmonic: EN61000-3-2

Flicker: EN61000-3-3

Emissions

FCC Class B

EN55022 Class B

Dielectric Withstand (Hi-pot) Test

Primary to Secondary: 3000VAC

Insulation Resistance

Primary to Secondary: 7M ohm 500VDC

MTBF

200K hours minimum at 120VAC, max load

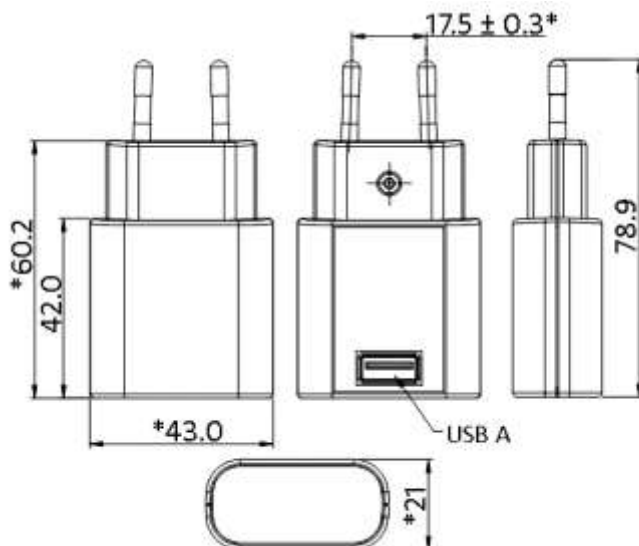
(measured at ambient 25°C)

DC Output Connector

USB A

D+ and D- pins shorted together inside the charger

Dimension Diagram Unit: mm



Mouser Electronics

Authorized Distributor

Click to View Pricing, Inventory, Delivery & Lifecycle Information:

[Phihong:](#)

[PSM03E-050Q-3-R](#) [PSM03E-050Q-3W-R](#)