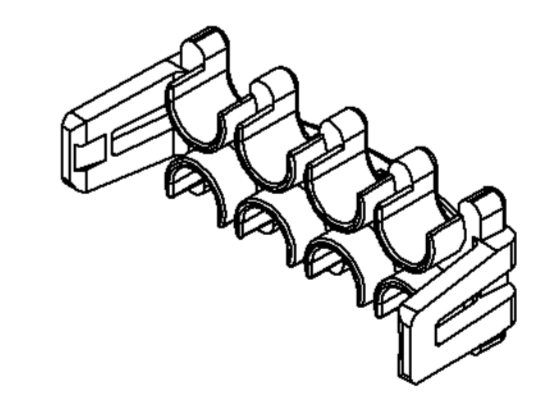
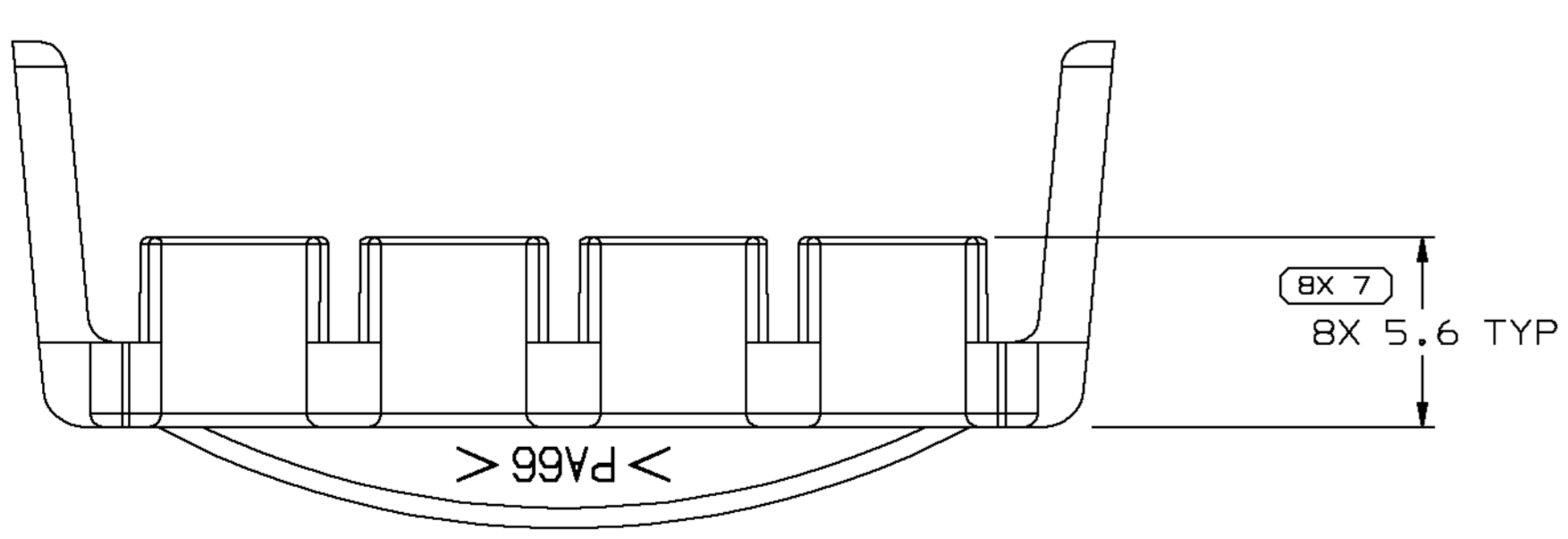
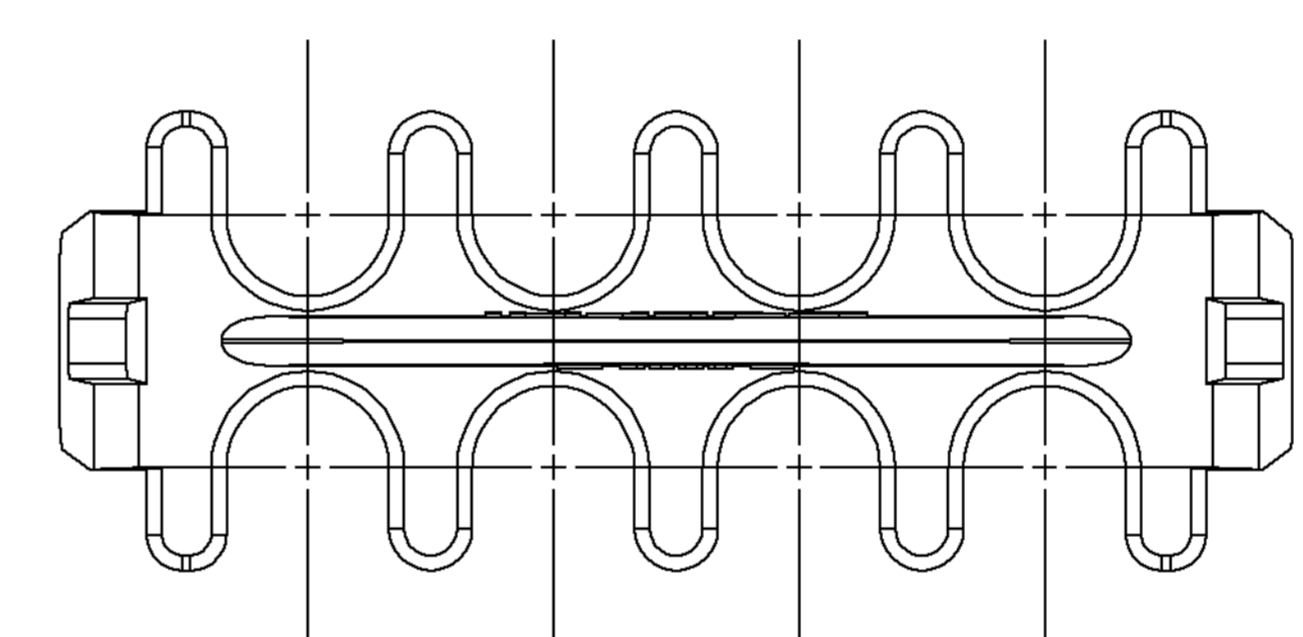
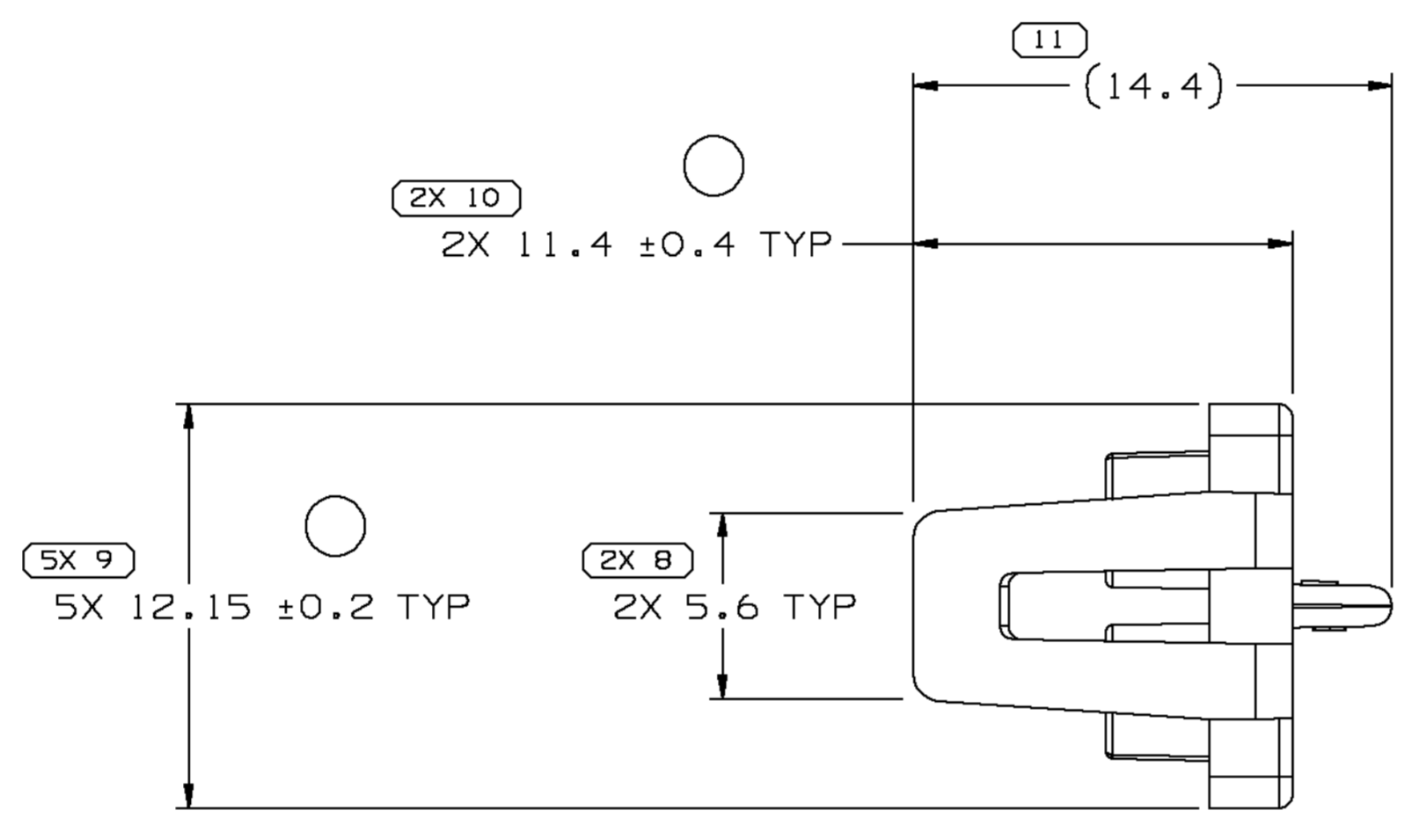
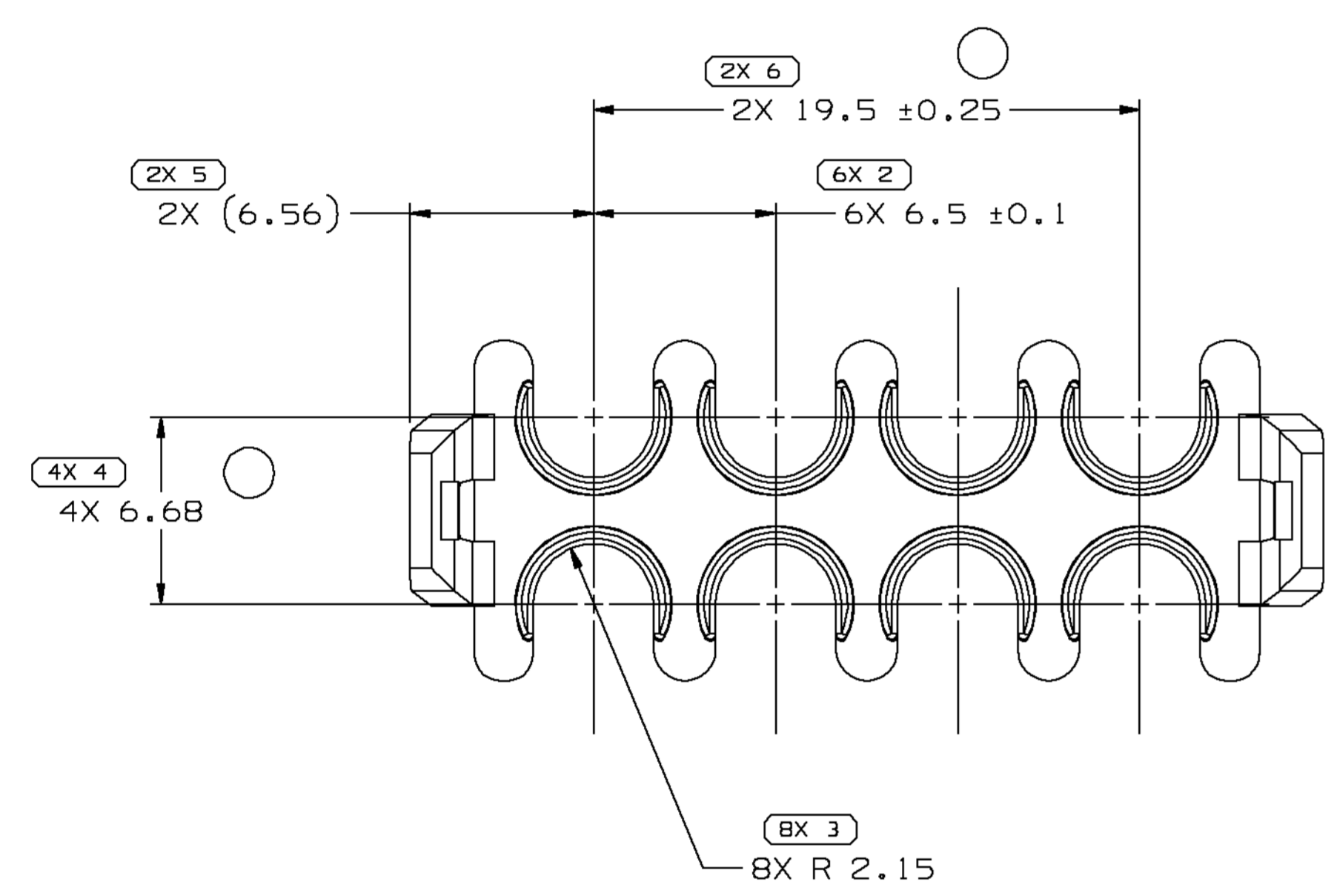
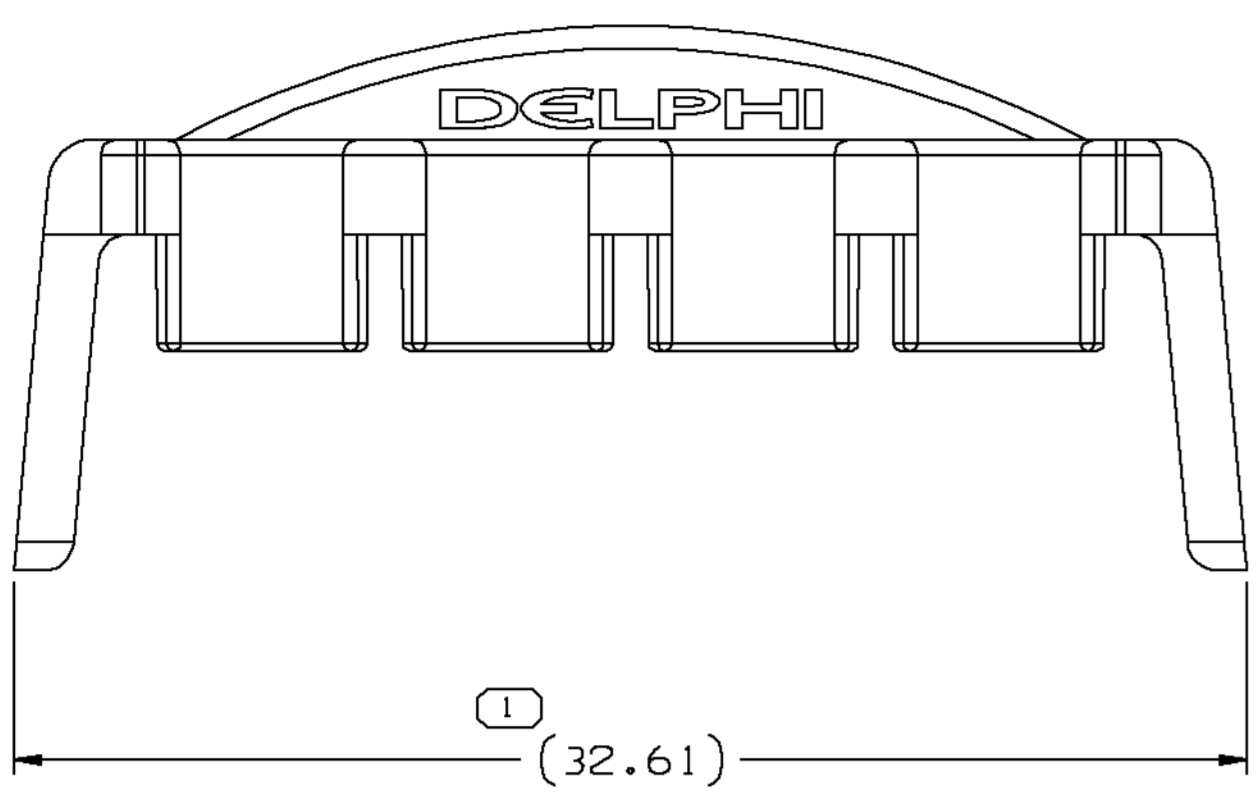


SYMBOL DEFINITION		MISSING SYMBOLS	
A DIMENSION WITHOUT AN INSPECTION REPORT SYMBOL DOES NOT REQUIRE INSPECTION. IT MAY BE CONTROLLED ON THE INDIVIDUAL COMPONENT DRAWING.	TOTAL NO OF INSPECTIONS REQUIRED	NO MISSING SYMBOL NUMBER	
	41		
	LAST NO. USED		
	11		

DWG STATUS				REVISION HISTORY				AUTH	DR	APVD	APVD
DATE	STG	REV	W/P	CHG	ZONE	Cleared Rev Col & Revised Tolerances - SPLCS		224660	CJC	CJC	JM
26AP02	R	01	AA	-							



VIEW SCALE DOES NOT REFLECT ACTUAL PART SIZE

- NOTES
- UNLESS OTHERWISE SPECIFIED AND/OR INDICATED: DIMENSIONS ARE TO FACE OF VIEW SHOWN AND AUTOMATICALLY ROUNDED BY COMPUTER FOR INSPECTION (SEE MATH MODEL FOR PRECISE DIMENSIONS). FOR ALL OTHER DIMENSIONS NOT SHOWN BUT REQUIRED FOR TOOL BUILD, SEE MATH MODEL FOR PRECISE TOOL PATH DATA.
 - MATING COMPONENTS OR EQUIVALENT: 15326654 & 15326655
 - THIS PART IS NOT CONTROLLED FOR AUTOMATIC FEEDING.
 - MATERIAL RECYCLING CODE >PA66< PER SAE J1344. (1)(X)(0.1) RAISED CHARACTERS AS SHOWN TO BE LOCATED ON ANY EXTERIOR SURFACE. OPTIONAL CONSTRUCTION TO BE NO MATERIAL RECYCLING CODE.
 - (1)(X)(0.1) RAISED DELPHI CORPORATE BRAND TO BE LOCATED ON ANY EXTERIOR SURFACE, PREFERABLY VISIBLE AT FINAL ASSEMBLY. OPTIONAL CONSTRUCTION TO BE "PED" OR NO LOGO.

	<table border="1"> <tr> <th colspan="2">DIMENSIONAL RANGE (MM)</th> <th colspan="2">CHART ET</th> </tr> <tr> <td>FROM</td> <td>TO</td> <td>0</td> <td>400</td> </tr> <tr> <td>> 0</td> <td>> 20</td> <td>> 30</td> <td>> 70</td> </tr> <tr> <td>> 20</td> <td>> 30</td> <td>> 70</td> <td>> 100</td> </tr> <tr> <td>> 30</td> <td>> 70</td> <td>> 100</td> <td>> 150</td> </tr> <tr> <td>> 70</td> <td>> 100</td> <td>> 150</td> <td>> 200</td> </tr> <tr> <td>> 100</td> <td>> 150</td> <td>> 200</td> <td>> 250</td> </tr> <tr> <td>> 150</td> <td>> 200</td> <td>> 250</td> <td>> 300</td> </tr> <tr> <td>> 200</td> <td>> 250</td> <td>> 300</td> <td>> 400</td> </tr> <tr> <td colspan="2">TOLERANCE UNLESS OTHERWISE SPECIFIED</td> <td colspan="2">ANGULAR TOLERANCE ±2°</td> </tr> <tr> <td colspan="2">±0.15 ±0.2 ±0.3 ±0.4 ±0.5 ±0.6 ±0.8 ±1 ±1.2</td> <td colspan="2"></td> </tr> </table>	DIMENSIONAL RANGE (MM)		CHART ET		FROM	TO	0	400	> 0	> 20	> 30	> 70	> 20	> 30	> 70	> 100	> 30	> 70	> 100	> 150	> 70	> 100	> 150	> 200	> 100	> 150	> 200	> 250	> 150	> 200	> 250	> 300	> 200	> 250	> 300	> 400	TOLERANCE UNLESS OTHERWISE SPECIFIED		ANGULAR TOLERANCE ±2°		±0.15 ±0.2 ±0.3 ±0.4 ±0.5 ±0.6 ±0.8 ±1 ±1.2				<table border="1"> <tr> <td>7</td> <td>PROCESS SENSITIVE DIMENSION</td> </tr> <tr> <td colspan="2">DIMENSIONS ENCLOSED IN () INDICATE RETIRED, DURING CHG, AND NO TOLERANCE LIMITS ARE ESTABLISHED</td> </tr> </table>	7	PROCESS SENSITIVE DIMENSION	DIMENSIONS ENCLOSED IN () INDICATE RETIRED, DURING CHG, AND NO TOLERANCE LIMITS ARE ESTABLISHED		<table border="1"> <tr> <td>THIRD ANGLE PROJECTION</td> <td>DO NOT SCALE</td> <td rowspan="2"> </td> </tr> <tr> <td>USE MATH DATA</td> <td></td> </tr> </table>	THIRD ANGLE PROJECTION	DO NOT SCALE		USE MATH DATA	
	DIMENSIONAL RANGE (MM)		CHART ET																																																					
FROM	TO	0	400																																																					
> 0	> 20	> 30	> 70																																																					
> 20	> 30	> 70	> 100																																																					
> 30	> 70	> 100	> 150																																																					
> 70	> 100	> 150	> 200																																																					
> 100	> 150	> 200	> 250																																																					
> 150	> 200	> 250	> 300																																																					
> 200	> 250	> 300	> 400																																																					
TOLERANCE UNLESS OTHERWISE SPECIFIED		ANGULAR TOLERANCE ±2°																																																						
±0.15 ±0.2 ±0.3 ±0.4 ±0.5 ±0.6 ±0.8 ±1 ±1.2																																																								
7	PROCESS SENSITIVE DIMENSION																																																							
DIMENSIONS ENCLOSED IN () INDICATE RETIRED, DURING CHG, AND NO TOLERANCE LIMITS ARE ESTABLISHED																																																								
THIRD ANGLE PROJECTION	DO NOT SCALE																																																							
USE MATH DATA																																																								
<table border="1"> <tr> <th colspan="2">DWG TYPE</th> <th colspan="2">PART DRAWING</th> </tr> <tr> <td>STYLE</td> <td></td> <td>DISTR CODE</td> <td>D</td> </tr> <tr> <td>VOLUME (COP)</td> <td>Q, B24</td> <td>ROUTING</td> <td>6900</td> </tr> </table>		DWG TYPE		PART DRAWING		STYLE		DISTR CODE	D	VOLUME (COP)	Q, B24	ROUTING	6900	<table border="1"> <tr> <td colspan="2">UNLESS OTHERWISE SPECIFIED</td> </tr> <tr> <td colspan="2">THIS DOCUMENT IS IN ACCORDANCE WITH ASME Y14.5M-1994 AS MENDED BY THE GM GLOBAL DIMENSIONING AND TOLERANCING ADDENDUM - 1997. ALL DIMENSIONS AND RELATED DATUMS APPLY UNLESS OTHERWISE SPECIFIED. UNLESS OTHERWISE SPECIFIED, ALL DIMENSIONS ARE TO FACE UNLESS OTHERWISE SPECIFIED. UNLESS OTHERWISE SPECIFIED, ALL DIMENSIONS ARE TO FACE UNLESS OTHERWISE SPECIFIED. UNLESS OTHERWISE SPECIFIED, ALL DIMENSIONS ARE TO FACE UNLESS OTHERWISE SPECIFIED.</td> </tr> </table>		UNLESS OTHERWISE SPECIFIED		THIS DOCUMENT IS IN ACCORDANCE WITH ASME Y14.5M-1994 AS MENDED BY THE GM GLOBAL DIMENSIONING AND TOLERANCING ADDENDUM - 1997. ALL DIMENSIONS AND RELATED DATUMS APPLY UNLESS OTHERWISE SPECIFIED. UNLESS OTHERWISE SPECIFIED, ALL DIMENSIONS ARE TO FACE UNLESS OTHERWISE SPECIFIED. UNLESS OTHERWISE SPECIFIED, ALL DIMENSIONS ARE TO FACE UNLESS OTHERWISE SPECIFIED. UNLESS OTHERWISE SPECIFIED, ALL DIMENSIONS ARE TO FACE UNLESS OTHERWISE SPECIFIED.																																						
DWG TYPE		PART DRAWING																																																						
STYLE		DISTR CODE	D																																																					
VOLUME (COP)	Q, B24	ROUTING	6900																																																					
UNLESS OTHERWISE SPECIFIED																																																								
THIS DOCUMENT IS IN ACCORDANCE WITH ASME Y14.5M-1994 AS MENDED BY THE GM GLOBAL DIMENSIONING AND TOLERANCING ADDENDUM - 1997. ALL DIMENSIONS AND RELATED DATUMS APPLY UNLESS OTHERWISE SPECIFIED. UNLESS OTHERWISE SPECIFIED, ALL DIMENSIONS ARE TO FACE UNLESS OTHERWISE SPECIFIED. UNLESS OTHERWISE SPECIFIED, ALL DIMENSIONS ARE TO FACE UNLESS OTHERWISE SPECIFIED. UNLESS OTHERWISE SPECIFIED, ALL DIMENSIONS ARE TO FACE UNLESS OTHERWISE SPECIFIED.																																																								
<table border="1"> <tr> <td colspan="2">DELPHI</td> </tr> <tr> <td colspan="2">DELPHI PACKARD ELECTRIC SYSTEMS</td> </tr> <tr> <td colspan="2">WARREN, OH</td> </tr> </table>		DELPHI		DELPHI PACKARD ELECTRIC SYSTEMS		WARREN, OH		<table border="1"> <tr> <td>DR</td> <td>DATE</td> </tr> <tr> <td>APVD1 LUIS ORDUNA A.</td> <td>06MR02</td> </tr> <tr> <td>APVD2 G. G. IZQUIERDO</td> <td>07MR02</td> </tr> <tr> <td>APVD3 JEFF MENDENHALL</td> <td>08MR02</td> </tr> <tr> <td>APVD4</td> <td></td> </tr> <tr> <td>APVD5</td> <td></td> </tr> </table>		DR	DATE	APVD1 LUIS ORDUNA A.	06MR02	APVD2 G. G. IZQUIERDO	07MR02	APVD3 JEFF MENDENHALL	08MR02	APVD4		APVD5																																				
DELPHI																																																								
DELPHI PACKARD ELECTRIC SYSTEMS																																																								
WARREN, OH																																																								
DR	DATE																																																							
APVD1 LUIS ORDUNA A.	06MR02																																																							
APVD2 G. G. IZQUIERDO	07MR02																																																							
APVD3 JEFF MENDENHALL	08MR02																																																							
APVD4																																																								
APVD5																																																								
<table border="1"> <tr> <td colspan="2">SUBSTANCES OF CONCERN AND RECYCLED CONTENT PER DELPHI-A 10249001</td> </tr> <tr> <td colspan="2">MATERIAL M3592025 PA66 HS 1M GRA MD</td> </tr> </table>		SUBSTANCES OF CONCERN AND RECYCLED CONTENT PER DELPHI-A 10249001		MATERIAL M3592025 PA66 HS 1M GRA MD		<table border="1"> <tr> <td colspan="2">DRAWING NAME</td> </tr> <tr> <td colspan="2">TPA 8F GT 280 SLD</td> </tr> <tr> <td colspan="2">DRAWING NUMBER</td> </tr> <tr> <td colspan="2">15430896</td> </tr> </table>		DRAWING NAME		TPA 8F GT 280 SLD		DRAWING NUMBER		15430896																																										
SUBSTANCES OF CONCERN AND RECYCLED CONTENT PER DELPHI-A 10249001																																																								
MATERIAL M3592025 PA66 HS 1M GRA MD																																																								
DRAWING NAME																																																								
TPA 8F GT 280 SLD																																																								
DRAWING NUMBER																																																								
15430896																																																								
<table border="1"> <tr> <td>SIZE</td> <td>SCALE</td> <td>FRAME NO</td> <td>SHEET NO</td> <td>STG</td> <td>REV</td> <td>N/P</td> </tr> <tr> <td>A0</td> <td>5:1</td> <td>1</td> <td>1</td> <td>1</td> <td>R</td> <td>01</td> </tr> </table>		SIZE	SCALE	FRAME NO	SHEET NO	STG	REV	N/P	A0	5:1	1	1	1	R	01	<table border="1"> <tr> <td>DATE</td> <td>SCALE</td> <td>FRAME NO</td> <td>SHEET NO</td> <td>STG</td> <td>REV</td> <td>N/P</td> </tr> <tr> <td>26AP02</td> <td>5:1</td> <td>1</td> <td>1</td> <td>1</td> <td>R</td> <td>01</td> </tr> </table>		DATE	SCALE	FRAME NO	SHEET NO	STG	REV	N/P	26AP02	5:1	1	1	1	R	01																									
SIZE	SCALE	FRAME NO	SHEET NO	STG	REV	N/P																																																		
A0	5:1	1	1	1	R	01																																																		
DATE	SCALE	FRAME NO	SHEET NO	STG	REV	N/P																																																		
26AP02	5:1	1	1	1	R	01																																																		

Mouser Electronics

Authorized Distributor

Click to View Pricing, Inventory, Delivery & Lifecycle Information:

[Aptiv:](#)

[15430896](#)