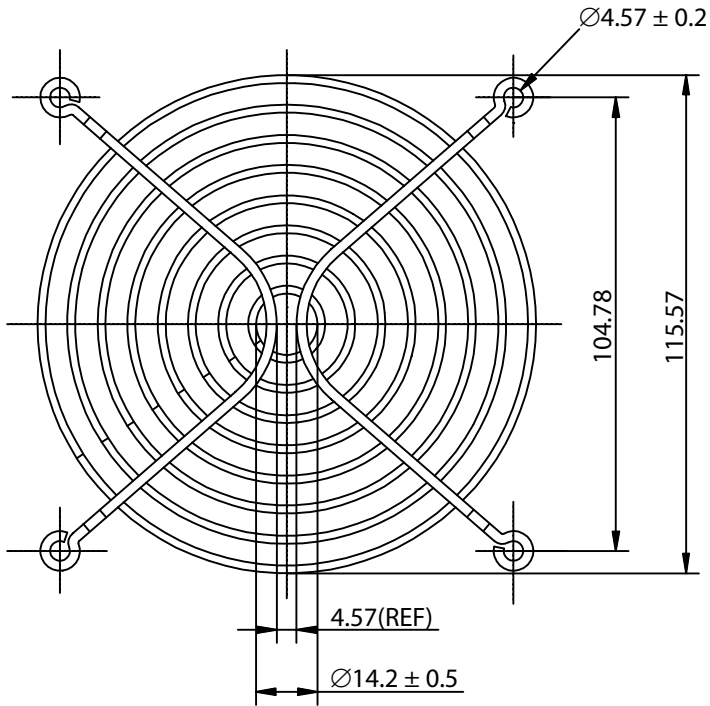


| | | Revision | |
|------|-------------|----------|----------|
| Rev. | Description | Date | Approved |
| A | NEW TOOLING | 01-18-07 | DP |
| | | | |
| | | | |



NOTES:

1. MATERIAL: C1008 BRIGHT BASIC WIRE
2. FINISH: BRIGHT NICKEL CHROME PLATING
3. 0.35 ± 0.05 DEPTH OF SERRATIONS ON WIRE
4. RING: $\varnothing 1.8 \pm 0.1\text{mm}$
RIB: $\varnothing 2.3 \pm 0.1\text{mm}$
5. GENERAL TOLERANCE UNLESS NOTED IS $\pm 0.5\text{mm}$
6. RoHS COMPLIANT



| Dim range (mm) | Tolerance +/- (mm) | Qualtek Electronics Corp. FAN-S DIVISION | | | | | | | | | | | |
|----------------------|--------------------|--|--|----------------|-----------------|----------|--------|--------------|----------------|-----------------|----------------------|----------|----------------|
| | | Part Number: 08130 | | RoHS Compliant | | | | | | | | | |
| 0-1 | 0.15 | Description: WIRE FORM FAN GUARD (120mm) | | | | | | | | | | | |
| 1-6 | 0.20 | <table border="1"> <tr> <td></td> <td>UNIT: mm</td> <td>REV: A</td> </tr> <tr> <td>Drawn / Date</td> <td>Checked / Date</td> <td>Approved / Date</td> </tr> <tr> <td>B. Grubb 01-18-07</td> <td>01-18-07</td> <td>JJH / 01-18-07</td> </tr> </table> | | | | UNIT: mm | REV: A | Drawn / Date | Checked / Date | Approved / Date | B. Grubb 01-18-07 | 01-18-07 | JJH / 01-18-07 |
| | UNIT: mm | | | | REV: A | | | | | | | | |
| Drawn / Date | Checked / Date | | | | Approved / Date | | | | | | | | |
| B. Grubb 01-18-07 | 01-18-07 | | | | JJH / 01-18-07 | | | | | | | | |
| 6-18 | 0.30 | | | | | | | | | | | | |
| 18-50 | 0.50 | | | | | | | | | | | | |
| 50-120 | 0.70 | | | | | | | | | | | | |
| 120-250 | 0.90 | | | | | | | | | | | | |
| 250-500 | 1.20 | | | | | | | | | | | | |

Mouser Electronics

Authorized Distributor

Click to View Pricing, Inventory, Delivery & Lifecycle Information:

[Qualtek:](#)

[08130-02](#)