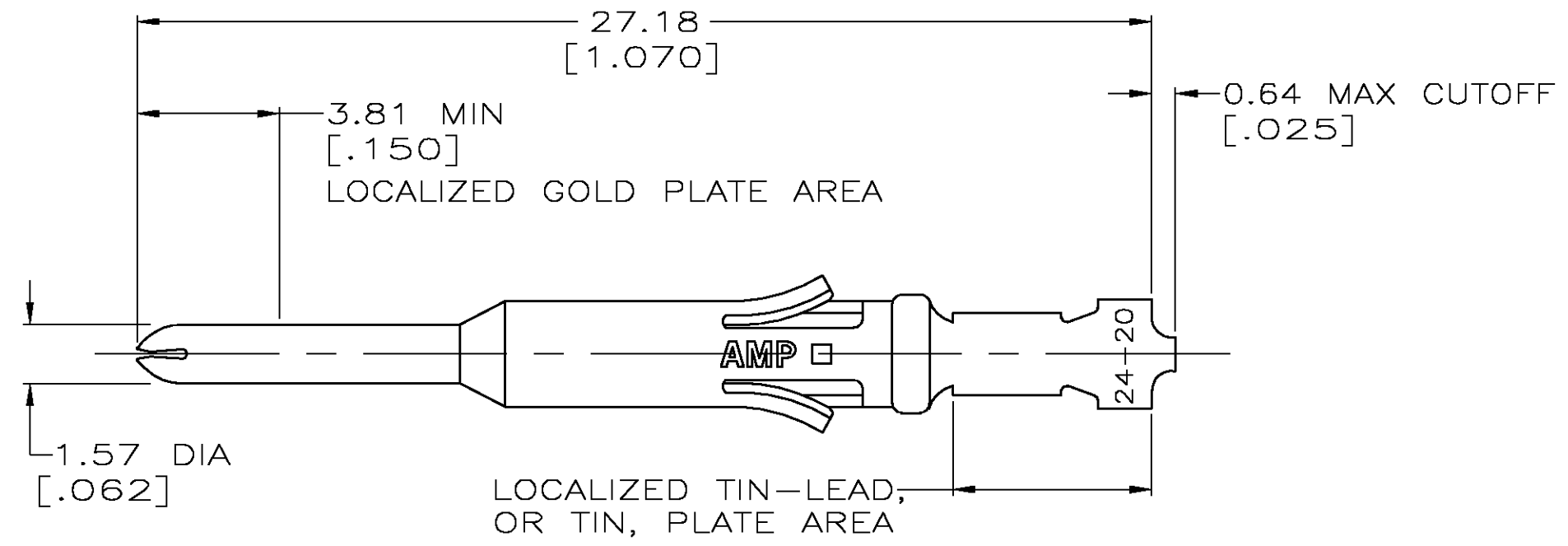


THIS DRAWING IS UNPUBLISHED. RELEASED FOR PUBLICATION
 © COPYRIGHT BY TYCO ELECTRONICS CORPORATION. ALL RIGHTS RESERVED.

LOC	DIST	REVISIONS			
P	LTR	DESCRIPTION	DATE	DWN	APVD
		F	0G3B-0317-03	24APR03	TK GS



1. WIRE RANGE 24-20 AWG.
2. INSULATION RANGE 1.02-2.03 [.040-.080] DIA.
3. 0.76 μm [.000030] MIN GOLD IN LOCALIZED GOLD PLATE AREA, 1.27 μm [.000050] MIN TIN-LEAD IN LOCALIZED TIN-LEAD PLATE AREA, BOTH OVER 1.27 μm [.000050] MIN NICKEL.
4. TIN PLATED.
5. GOLD PLATING PER MIL-G-45204, TIN PER MIL-T-10727 AND NICKEL PER QQ-N-290.
6. 0.76 μm [.000030] MIN GOLD IN LOCALIZED GOLD PLATE AREA, 1.27 μm [.000050] MIN TIN IN LOCALIZED TIN PLATE AREA, BOTH OVER 1.27 μm [.000050] MIN NICKEL.

STRIP REF	FINISH	PART NO
1-66583-0	6	66593-4
66583-4	3	66593-2
66583-2	4	66593-1

THIS DRAWING IS A CONTROLLED DOCUMENT.		DWN D.HARDY 06/15/94	Tyco Electronics Corporation Harrisburg, Pa													
DIMENSIONS: INCHES		CHK R.STONE 06/22/94														
TOLERANCES UNLESS OTHERWISE SPECIFIED:		APVD G.STEINHAUER 06/27/03	NAME CONTACT, PIN, LOOSE PIECE, TYPE VI, MULTIMATE													
<table border="1"> <tr><td>0 PLC</td><td>± -</td></tr> <tr><td>1 PLC</td><td>± -</td></tr> <tr><td>2 PLC</td><td>± 0.13 [.005]</td></tr> <tr><td>3 PLC</td><td>± -</td></tr> <tr><td>4 PLC</td><td>± -</td></tr> <tr><td>ANGLES</td><td>± -</td></tr> </table>		0 PLC	± -	1 PLC	± -	2 PLC	± 0.13 [.005]	3 PLC	± -	4 PLC	± -	ANGLES	± -	PRODUCT SPEC -	SIZE A3	
0 PLC	± -															
1 PLC	± -															
2 PLC	± 0.13 [.005]															
3 PLC	± -															
4 PLC	± -															
ANGLES	± -															
MATERIAL BRS PER MIL-C-50		FINISH SEE TABLE	APPLICATION SPEC -	CAGE CODE 00779												
		WEIGHT -	DRAWING NO C-66593	RESTRICTED TO -												
CUSTOMER DRAWING			SCALE 6:1	SHEET 1 OF 1												
			REV F													

Mouser Electronics

Authorized Distributor

Click to View Pricing, Inventory, Delivery & Lifecycle Information:

[TE Connectivity:](#)

[66593-1](#)