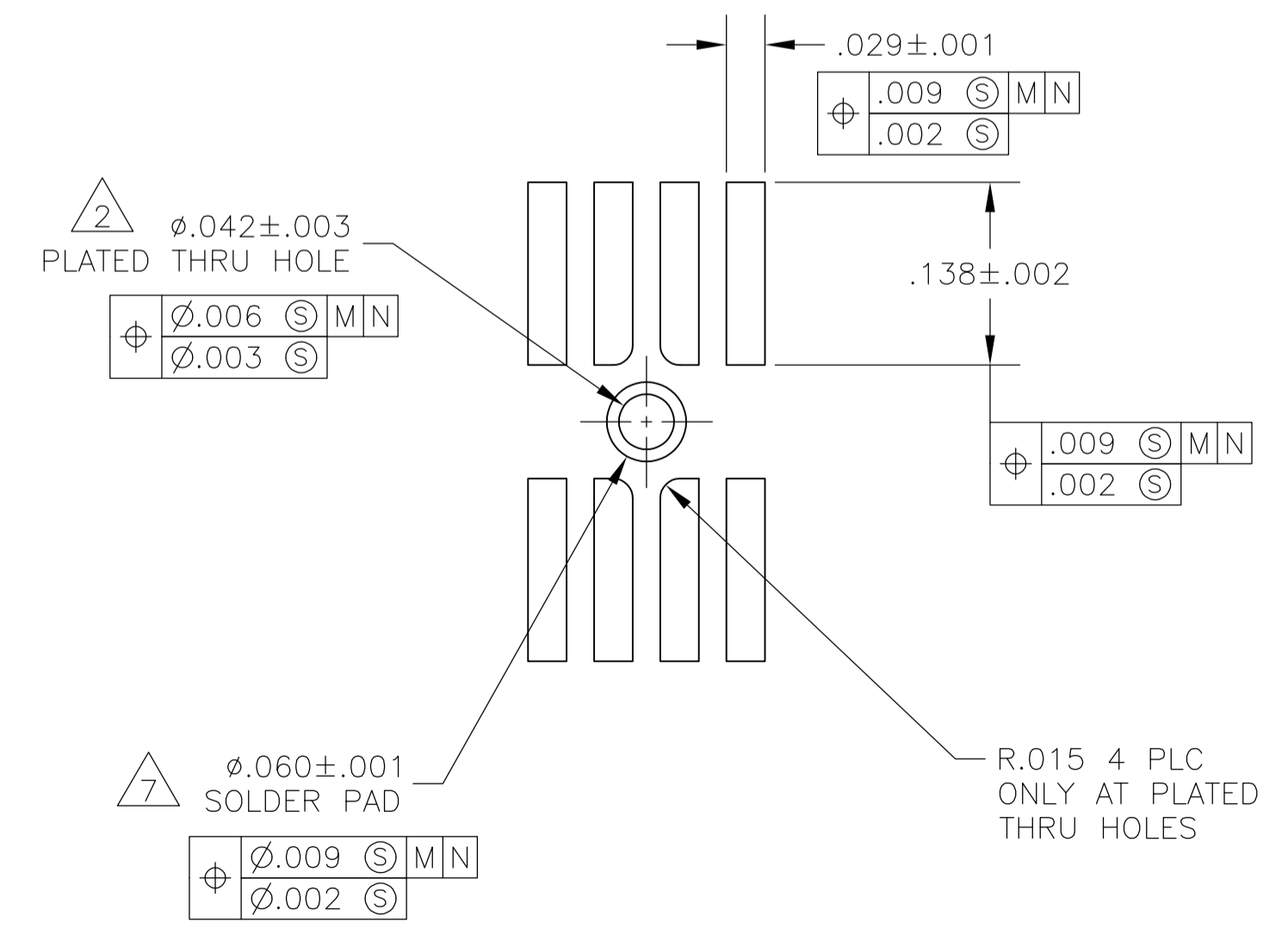
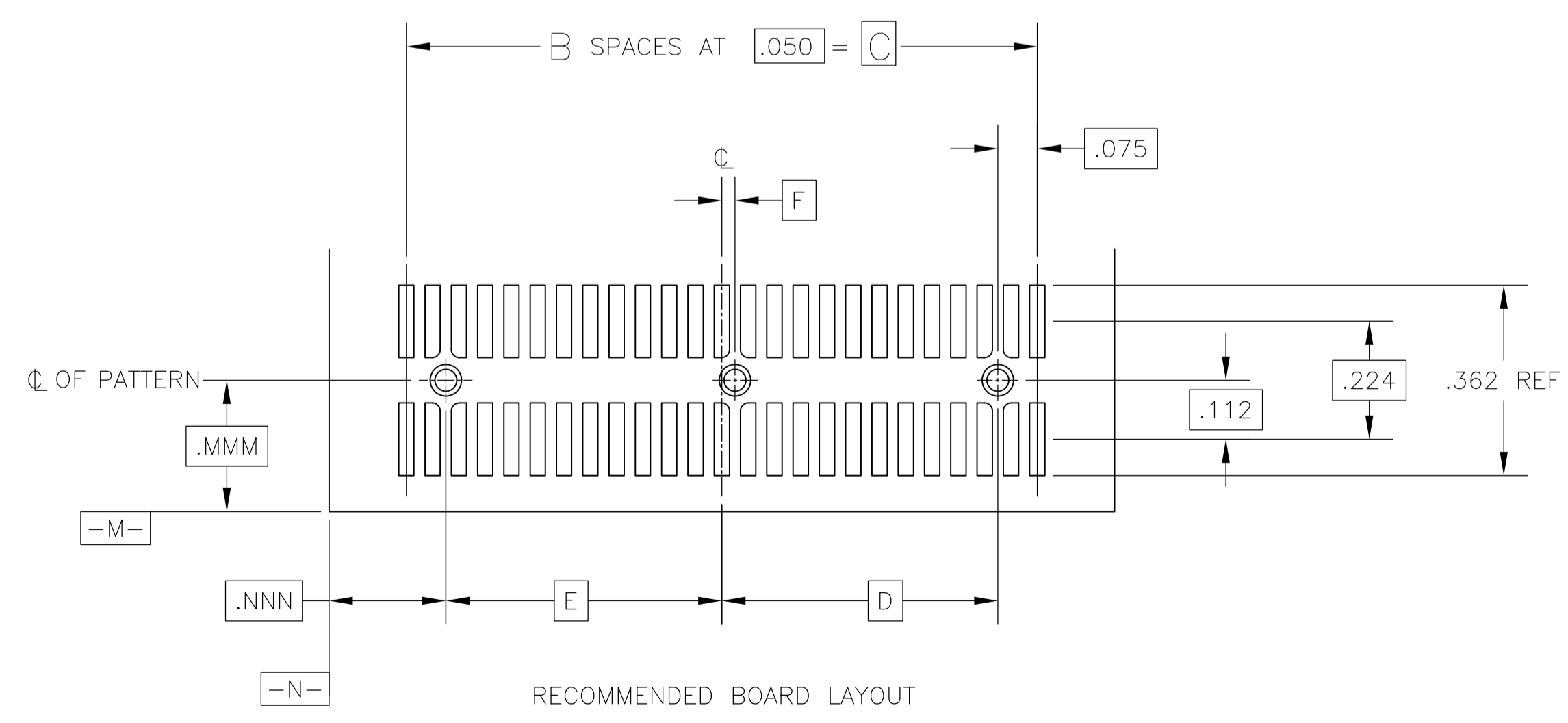
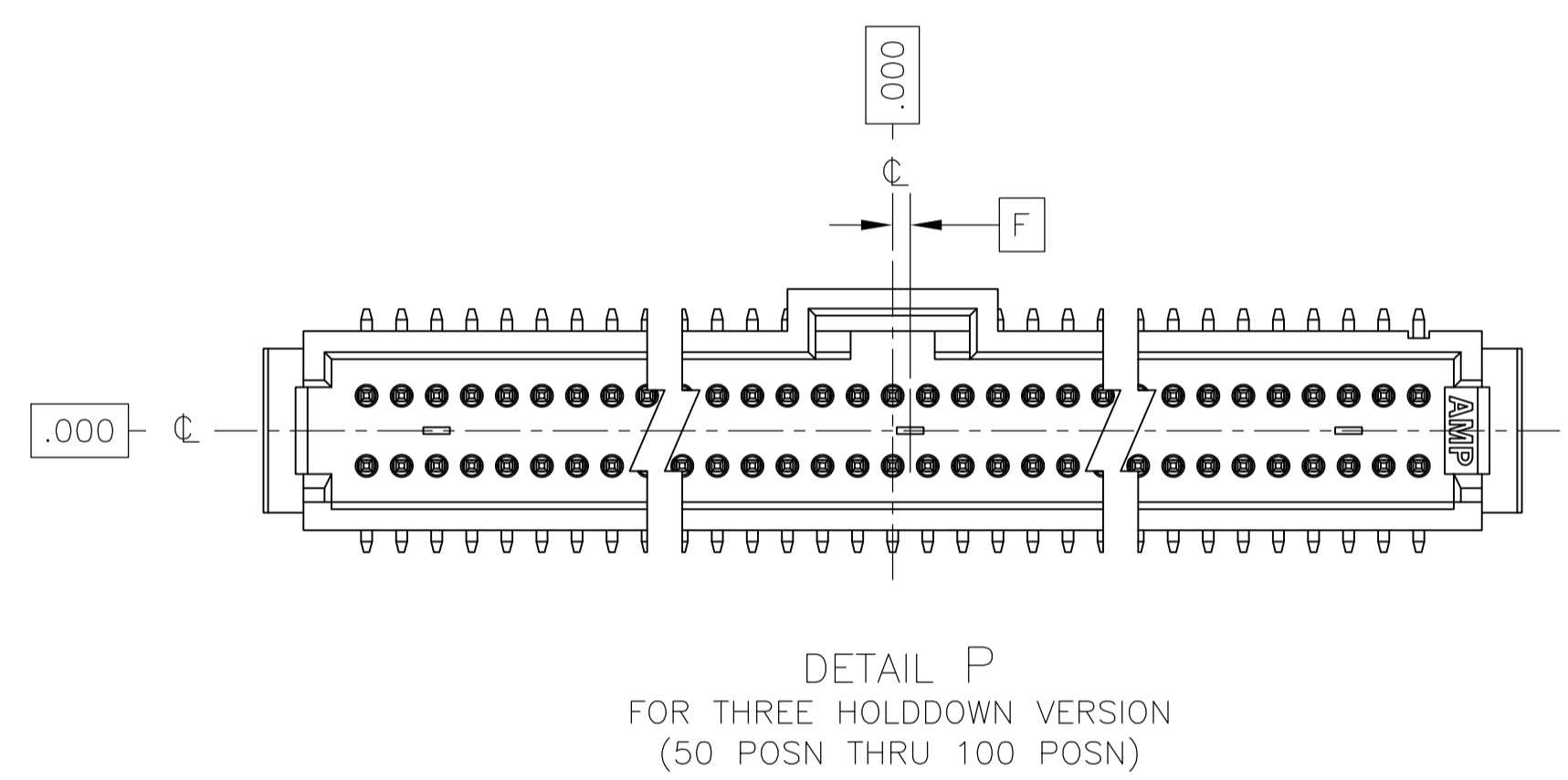
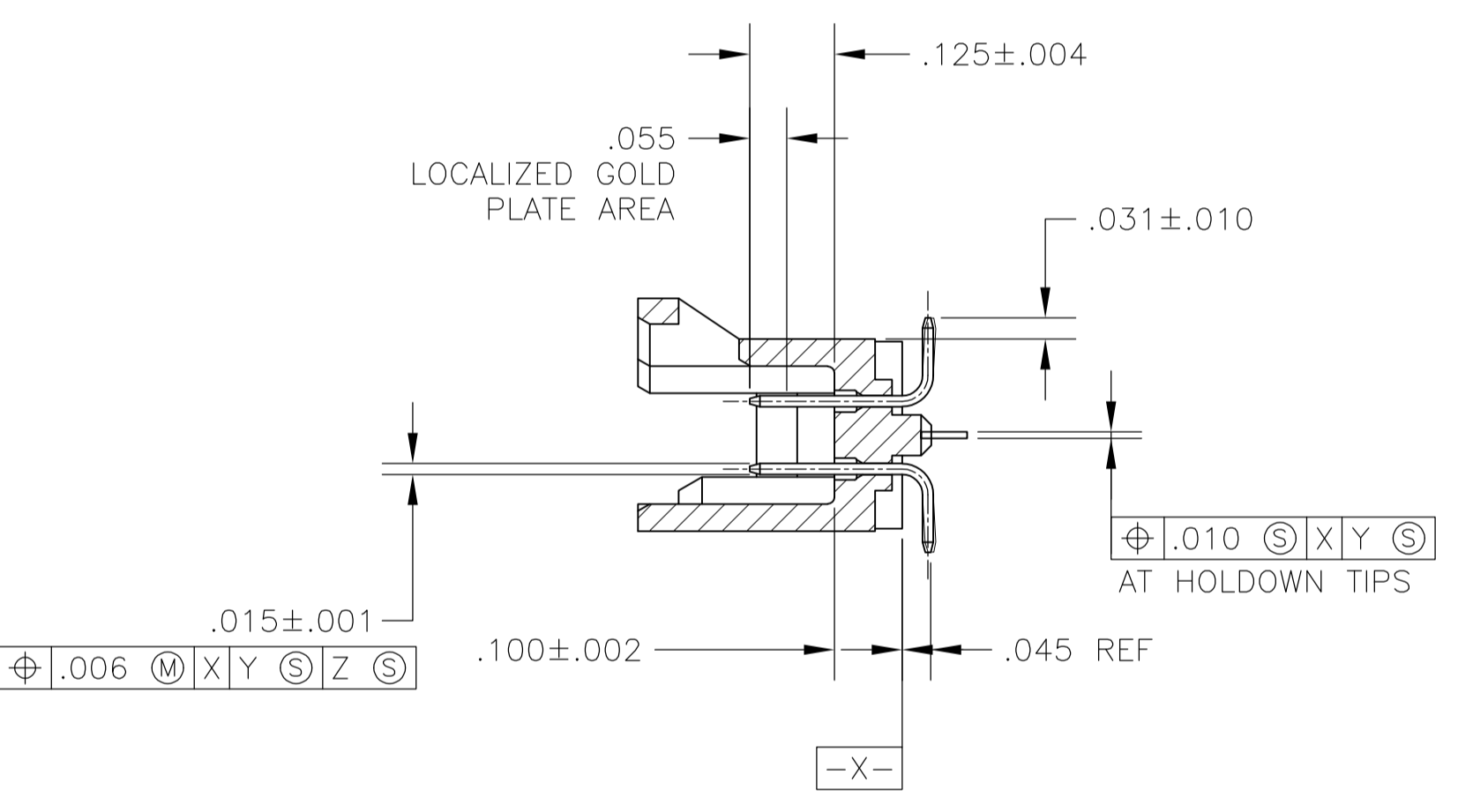
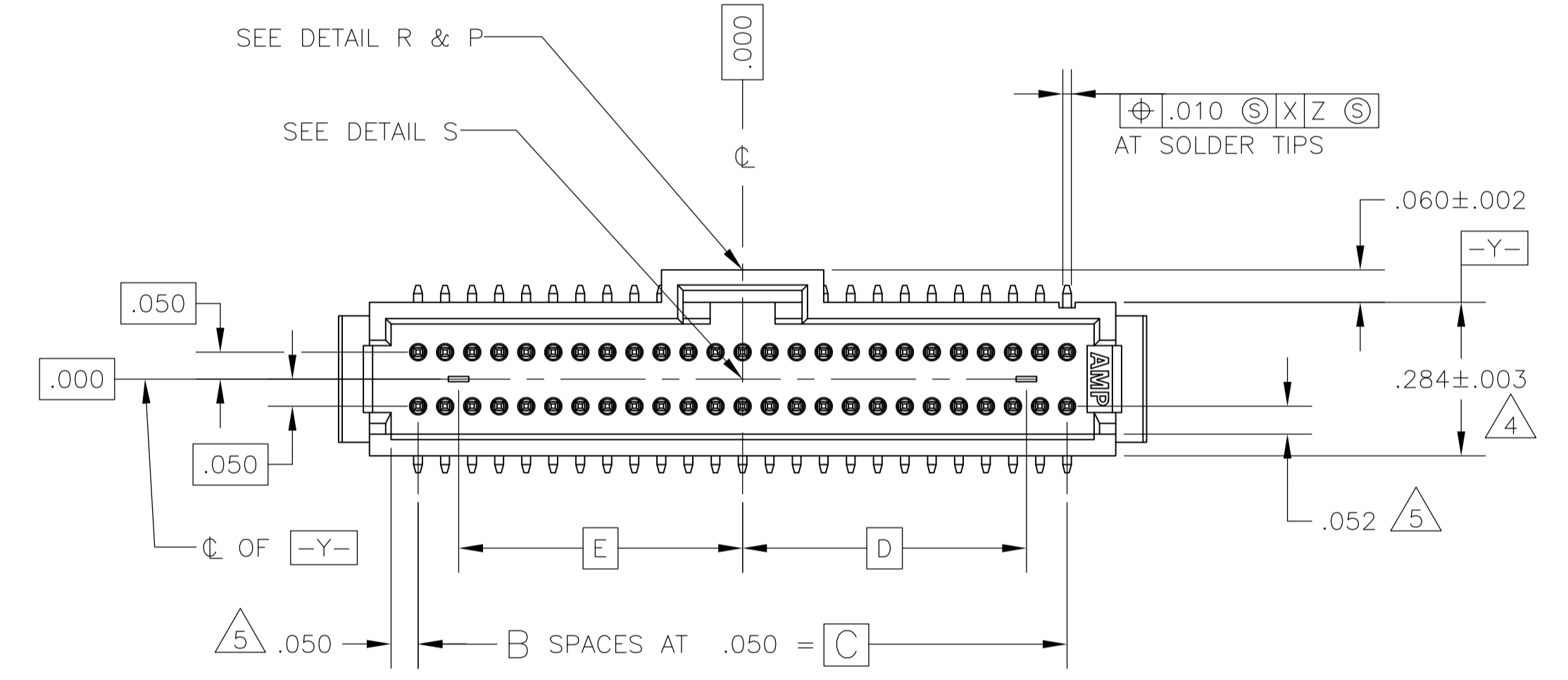
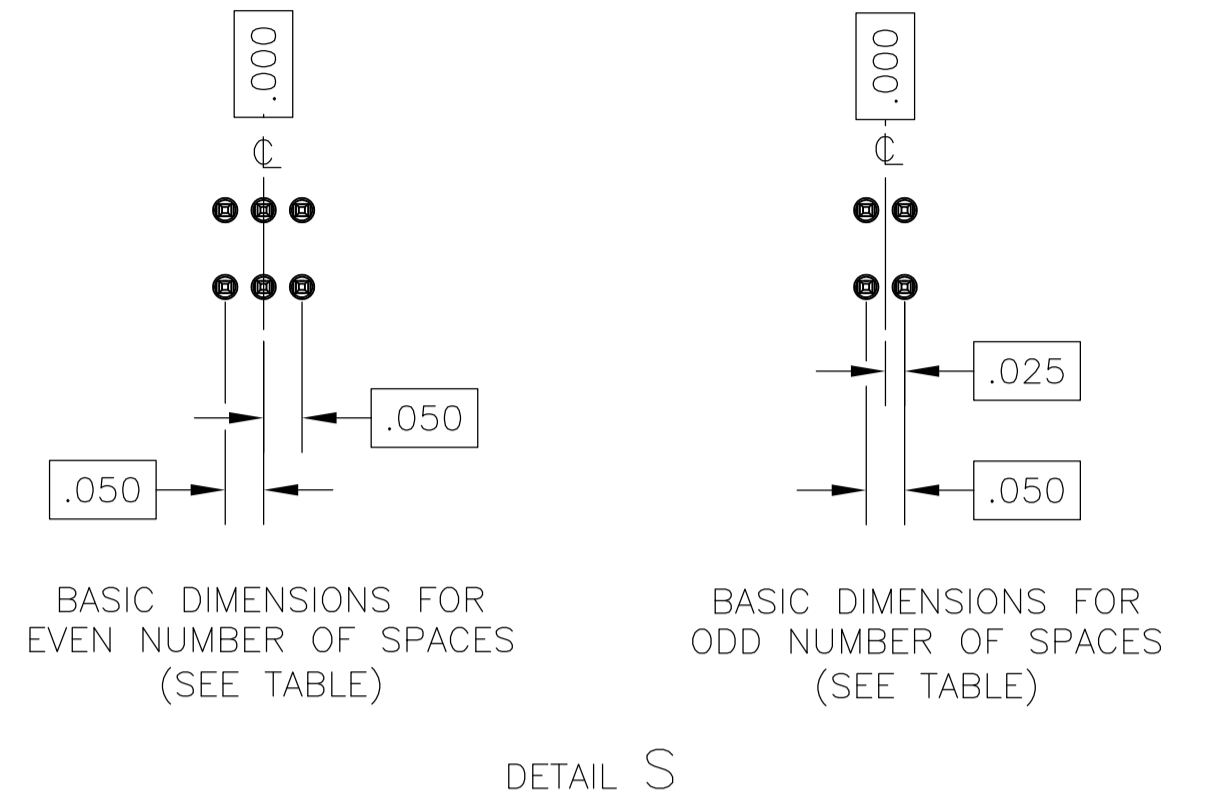
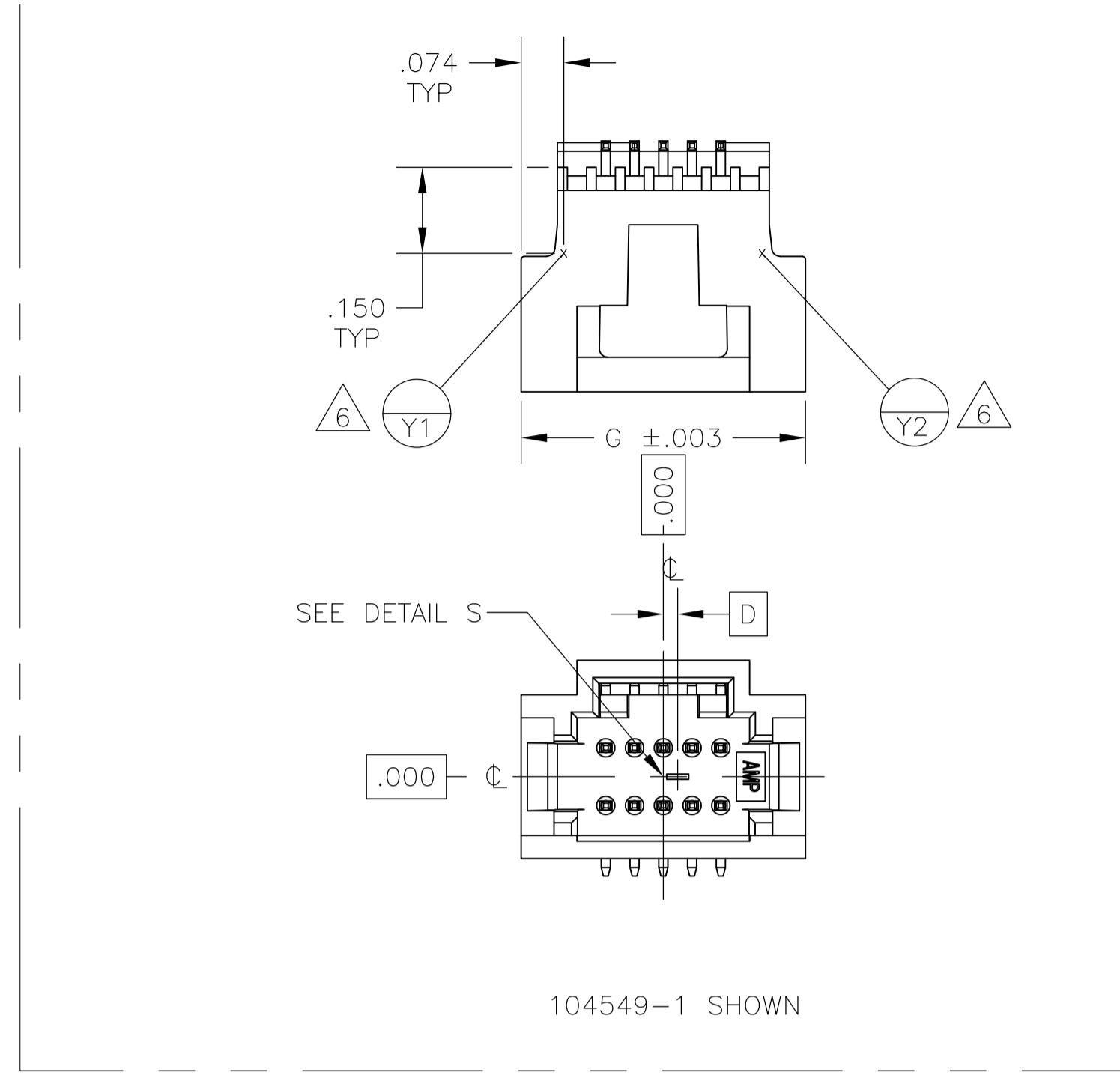
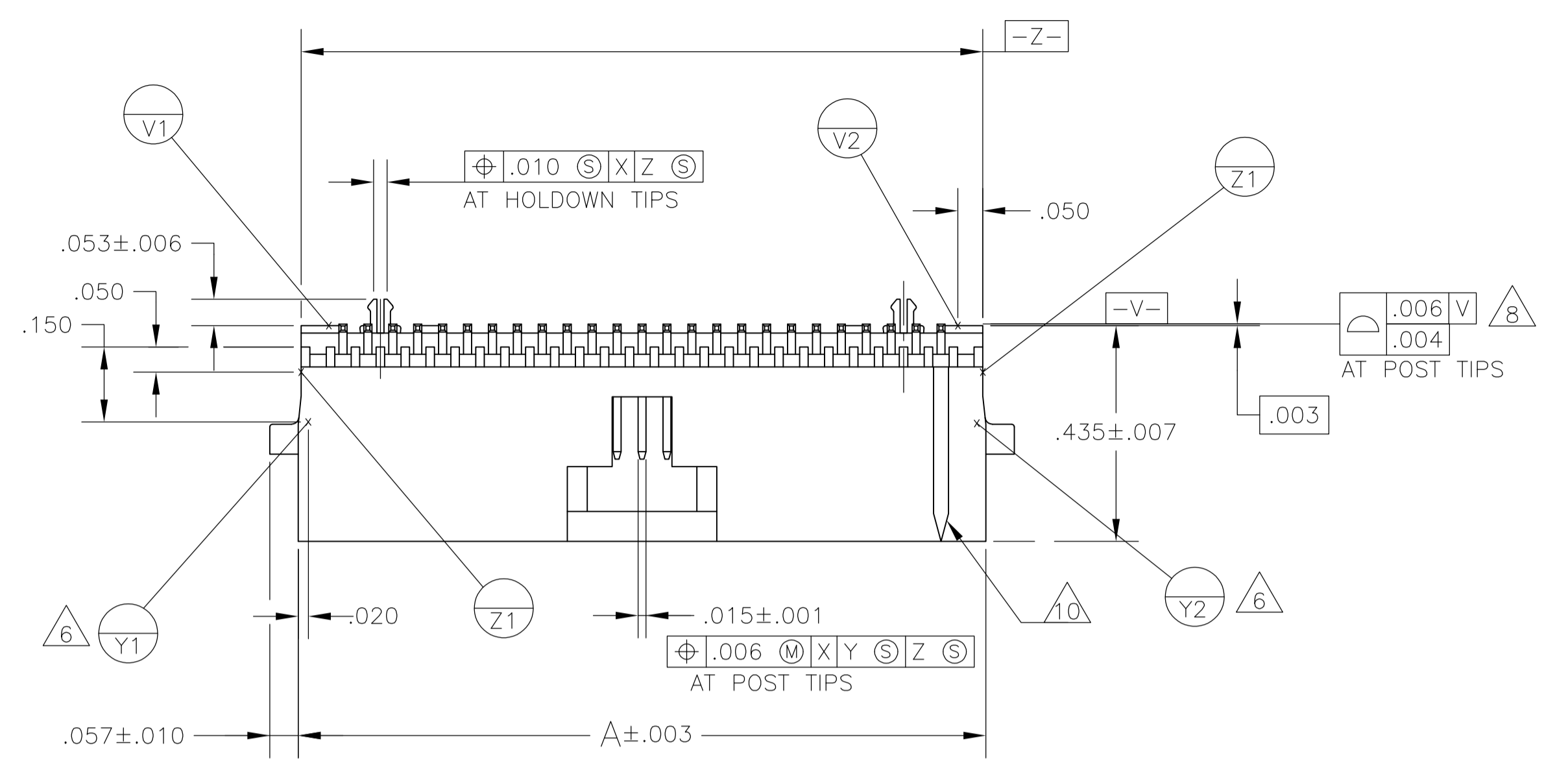


LOC		DIST		REVISIONS				
P	LTR	DESCRIPTION	DATE	DWN	APVD			
U		REVISED PER ECO-15-004125	18JUN2015	NK	JO			



SEE SHEET 2 OF 2 FOR DASH NUMBERS AND NOTES

THIS DRAWING IS A CONTROLLED DOCUMENT.		DIN R.K. SEIFRIED/UTA 13JUL92	STE TE Connectivity	
DIMENSIONS: INCHES		CHK B FLICKER 23OCT92	NAME B FLICKER 23OCT92	
TOLERANCES UNLESS OTHERWISE SPECIFIED:		PRODUCT SPEC		
0 PLC ± -		APPLICATION SPEC		
1 PLC ± -		SIZE CAGE CODE DRAWING NO RESTRICTED TO		
2 PLC ± -		A1 00779 C=104549		
3 PLC ± .005		CUSTOMER DRAWING		
4 PLC ± -		SCALE 4:1 SHEET 1 OF 2 REV U		
ANGLES ± -				
MATERIAL: HOUSING: PPA COLOR: BLACK CONTACT: COPPER ALLOY				
FINISH: SEE TABLE				

- 1 .000030 GOLD IN LOCALIZED PLATE AREA, .000150 TIN-LEAD ON SOLDER TAILS ALL OVER .000050 NICKEL.
- 2 USE .0465±.0010 DRILLED HOLE (#56 DRILL) WITH .001 MIN COPPER.
- 3 CIRCUIT IDENTIFICATION FEATURE OMITTED ON 10 POSITION HEADER ASSEMBLIES.
- 4 DIMENSION APPLIES AT BASE OF SHROUD.
- 5 THE NOTED DIMENSIONS APPLY AT THE MATING FACE OF THE HOUSING.
- 6 ARE LOCATED THE SAME AS EXCEPT ON OPPOSITE SIDE OF HOUSING.
- 7 PADS ON THE OPPOSITE SIDE OF THE BOARD TO BE Ø.065 MINIMUM.
- 8 REFER TO NO. OF POSN. IN CHART FOR NUMBER OF SURFACES THAT ARE TO BE COPLALAR.
- 9 .000030 GOLD IN LOCALIZED PLATE AREA, .000150 TIN ON SOLDER TAILS, ALL OVER .000050 NICKEL.
- 10 NO CIRCUIT IDENTIFICATION FEATURE ON 10,12,20,24 AND 30 POSITION PARTS.
- 11 FINISH: .000001 MIN. GOLD GOLD PLATED AREA, .000150-.000250 MATTE TIN LEAD ON TIN PLATE AREA, UNDER PLATING SHOULD BE .000050-.000100 NICKEL ON ENTIRE CONTACT, GOLD AND TIN PLATING MAY NOT OVERLAP.
- 12 FINISH: .000001 MIN GOLD ON GOLD PLATED AREA, .000150-.000250 MATTE TIN ON TIN PLATE AREA, UNDERPLATING TO BE .000050-.000100 NICKEL ON ENTIRE CONTACT, GOLD AND TIN PLATING MAY NOT OVERLAP.
- 13 PRELIMINARY - NOT FOR PRODUCTION
- 14 OBSOLETE

	-	-	-	.000	.250	5	.430	12		8-104549-1
	-	.000	1.150	1.150	2.450	49	2.630	100		8-104549-0
	-	.000	.900	.900	1.950	39	2.130	80		7-104549-9
	-	.000	.650	.650	1.450	29	1.630	60		7-104549-8
	-	.025	.525	.525	1.200	24	1.380	50		7-104549-7
	-	-	.400	.400	.950	19	1.130	40		7-104549-6
	-	-	.275	.275	.700	14	.880	30		7-104549-5
	-	-	.225	.225	.600	12	.780	26		7-104549-4
	-	-	.200	.200	.550	11	.730	24		7-104549-3
	-	-	.150	.150	.450	9	.630	20		7-104549-2
	.494	-	-	.025	.200	4	-	10		7-104549-1
	-	-	-	.000	.250	5	.430	12		6-104549-1
	-	.000	1.150	1.150	2.450	49	2.630	100		6-104549-0
-	.000	.900	.900	1.950	39	2.130	80		5-104549-9	
-	.000	.650	.650	1.450	29	1.630	60		5-104549-8	
-	.025	.525	.525	1.200	24	1.380	50		5-104549-7	
-	-	.400	.400	.950	19	1.130	40		5-104549-6	
-	-	.275	.275	.700	14	.880	30		5-104549-5	
-	-	.225	.225	.600	12	.780	26		5-104549-4	
-	-	.200	.200	.550	11	.730	24		5-104549-3	
-	-	.150	.150	.450	9	.630	20		5-104549-2	
.494	-	-	.025	.200	4	-	10		5-104549-1	
FINISH	G	F	E	D	C	B	A	NO OF POSN	PART NUMBER	

	-	-	-	.000	.250	5	.430	12		3-104549-1
	-	.000	1.150	1.150	2.450	49	2.630	100		3-104549-0
	-	.000	.900	.900	1.950	39	2.130	80		2-104549-9
	-	.000	.650	.650	1.450	29	1.630	60		2-104549-8
	-	.025	.525	.525	1.200	24	1.380	50		2-104549-7
	-	-	.400	.400	.950	19	1.130	40		2-104549-6
	-	-	.275	.275	.700	14	.880	30		2-104549-5
	-	-	.225	.225	.600	12	.780	26		2-104549-4
	-	-	.200	.200	.550	11	.730	24		2-104549-3
	-	-	.150	.150	.450	9	.630	20		2-104549-2
	.494	-	-	.025	.200	4	-	10		2-104549-1
	-	-	-	.000	.250	5	.430	12		1-104549-1
	-	.000	1.150	1.150	2.450	49	2.630	100		1-104549-0
-	.000	.900	.900	1.950	39	2.130	80		104549-9	
-	.000	.650	.650	1.450	29	1.630	60		104549-8	
-	.025	.525	.525	1.200	24	1.380	50		104549-7	
-	-	.400	.400	.950	19	1.130	40		104549-6	
-	-	.275	.275	.700	14	.880	30		104549-5	
-	-	.225	.225	.600	12	.780	26		104549-4	
-	-	.200	.200	.550	11	.730	24		104549-3	
-	-	.150	.150	.450	9	.630	20		104549-2	
.494	-	-	.025	.200	4	-	10		104549-1	
FINISH	G	F	E	D	C	B	A	NO OF POSN	PART NUMBER	

THIS DRAWING IS A CONTROLLED DOCUMENT.

DIN R.K. SEIFRIED/UTA 13JUL92
 CHK B FLICKER 23OCT92
 APVD B FLICKER 23OCT92

STE TE Connectivity

NAME: HEADER ASSEMBLY, W/SIDE & END LATCHES, VERTICAL, SHROUDED, DOUBLE ROW,SURFACE MOUNT, AMPMODU System 50, W/HOLDDOWNS

PRODUCT SPEC: -
 APPLICATION SPEC: -

SIZE: A1 CAGE CODE: 00779 DRAWING NO: 104549

WEIGHT: -

CUSTOMER DRAWING SCALE: 4:1 SHEET: 2 OF 2 REV: U

Mouser Electronics

Authorized Distributor

Click to View Pricing, Inventory, Delivery & Lifecycle Information:

[TE Connectivity:](#)

[1-104549-0](#)