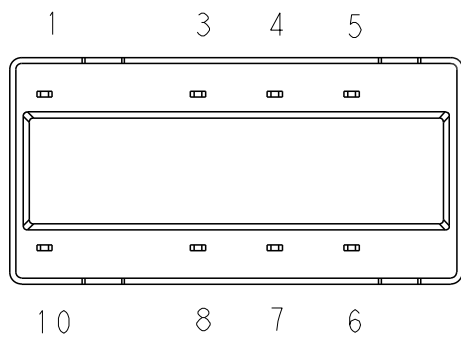
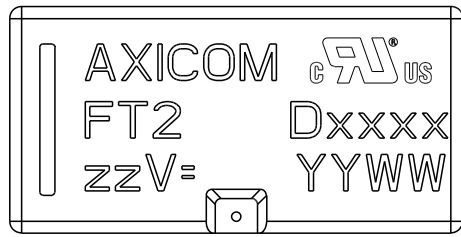
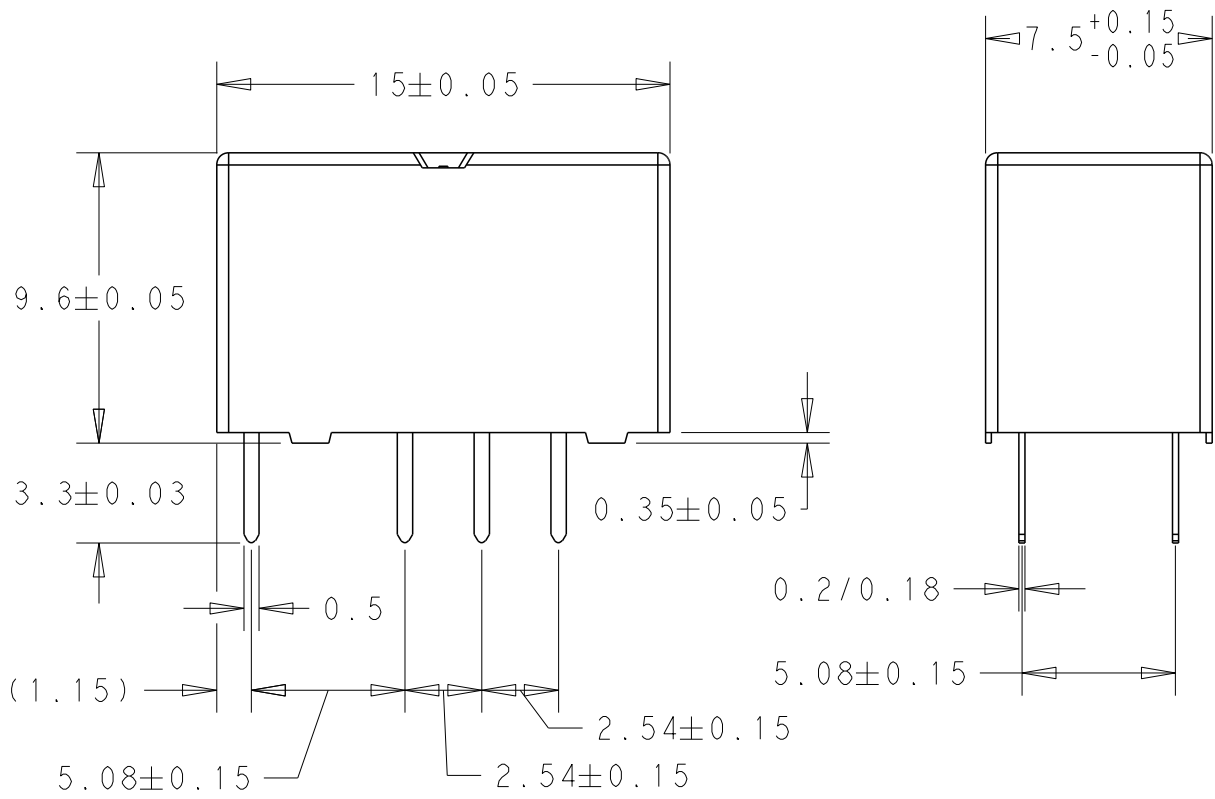


USED ON FT2 relay THT


DWG NO
1462035-1



Relay - bottom view



xxxx = Relay Type
zz = Nominal Voltage
YYWW = Date Code

A6	ECR-15-000926	20.1.15	VG	PH	DWN CW 9196	26-Mar-98	CHK EG 9192	26-Mar-98	APVD HD 9121	26-Mar-98					
A5	ECO-11-005150	21.3.11	RK	HMR	DIMENSIONS: mm			MATERIAL	-	HT TR	-				
					TOLERANCES UNLESS OTHERWISE SPECIFIED:			 TE TE Connectivity							
					0 PLC ±- 1 PLC ±0.1 2 PLC ±0.01 3 PLC ±0.005 4 PLC ±0.0001 ANGLES ±-										
LTR	REVISION RECORD	DATE	DWN	APVD	SURFACE TEXTURE			NAME FT Relay Dimensional Drawing							
THIS DRAWING IS A CONTROLLED DOCUMENT.					SCALE	4:1	SIZE/FMT	A4	DRAWING NO	C - 1462035-1		SHEET	1 OF 1	REV	A6

AND AFFILIATES (TE). IT MAY NOT BE DISCLOSED TO ANYONE, OTHER THAN TE PERSONNEL, WITHOUT AUTHORIZATION FROM TE (www.TE.com).

Mouser Electronics

Authorized Distributor

Click to View Pricing, Inventory, Delivery & Lifecycle Information:

[TE Connectivity:](#)

[D3423](#)