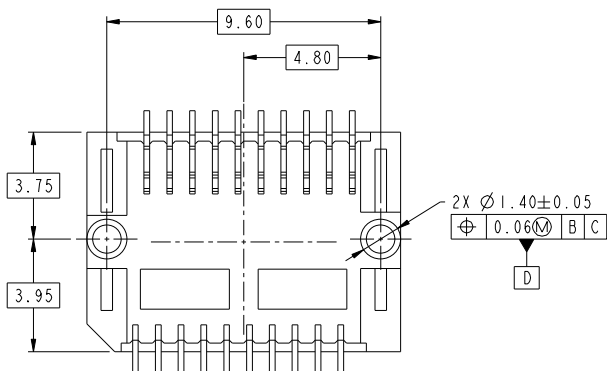
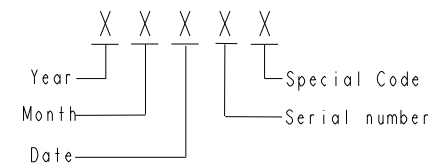
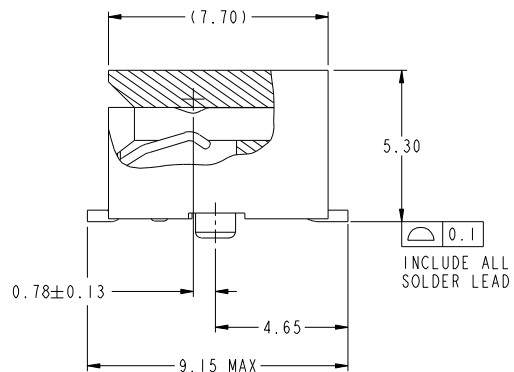
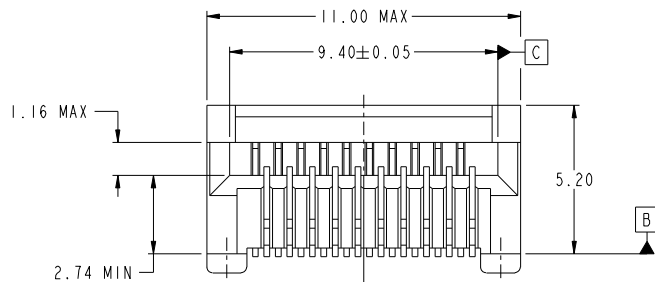
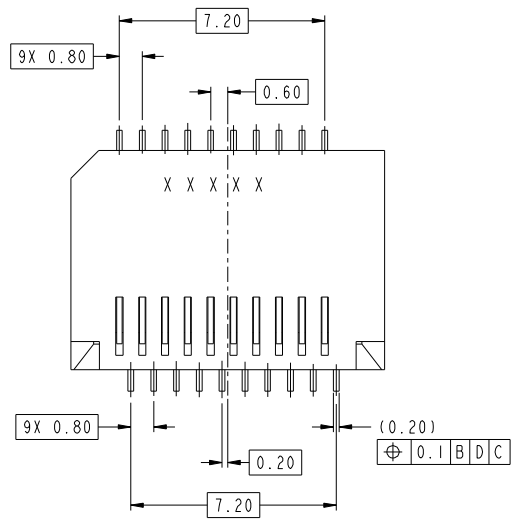


PRODUCT NUMBER	CONTACT AREA PLATING	PACKAGING
10099099-111LF	0.76µm Au	TAPE AND REEL



NOTES:

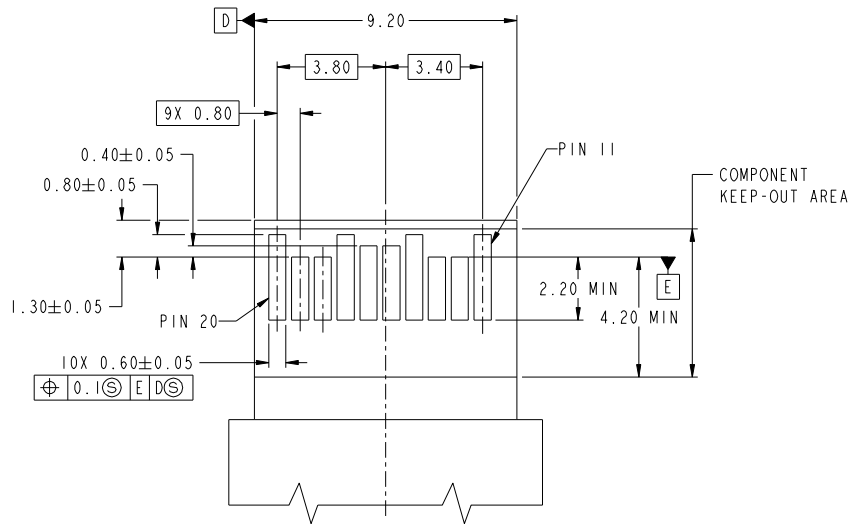
1. MATERIAL:
HOUSING: THERMOPLASTIC, BLACK, UL 94V-0.
CONTACT: PHOSPHOR BRONZE.
2. PLATING:
UNDERPLATE: 1.27µm MIN NICKEL OVER ALL
SOLDER AREA: 3.81µm MIN TIN(LEAD FREE)
MATING AREA: SEE PRODUCT NUMBER TABLE.
3. DESIGNED TO CONFORM WITH SFP+ MSA SPECIFICATION.
4. PRODUCT SPECIFICATION: GS-12-616
5. APPLICATION SPECIFICATION: GS-20-125
6. PRODUCT MEETS EUROPEAN UNION DIRECTIVES AND OTHER COUNTRY REGULATIONS AS DESCRIBED IN GS-22-008.
7. DATE CODE BE PRINTED ON PROPER SURFACE.

Copyright FCI.

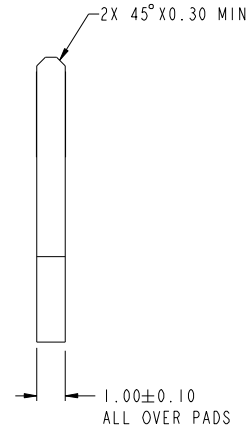
rev	ecn no	dr	date
A	V09-0442	SM	2009-12-07
B	N10-0376	ANDY	2010-11-23
-	-	-	-
-	-	-	-
-	-	-	-

www.fciconnect.com		surface	tolerance std	projection	MM
		ASME Y14.5	ASME Y14.5		
		TOLERANCES UNLESS OTHERWISE SPECIFIED			
Dr	S. MANI	2009-04-08	ANGULAR	LINEAR	size
Eng	M. GRAY	2009-05-21	0.x	±0.2	A2
Chr	M. GRAY	2009-05-21	0.xx	±0.15	Scale
Appr	M. GRAY	2009-05-21	0.xxx	±	1:1
		Product family	SFP+	Spec ref	RELEASE
		Product family	SFP+	Spec ref	RELEASE
FCI		SPP+ 20 POSITION		10099099	Rev.
		STANDARD TYPE			B
catalog no		CUSTOMER		sheet 1 of 3	

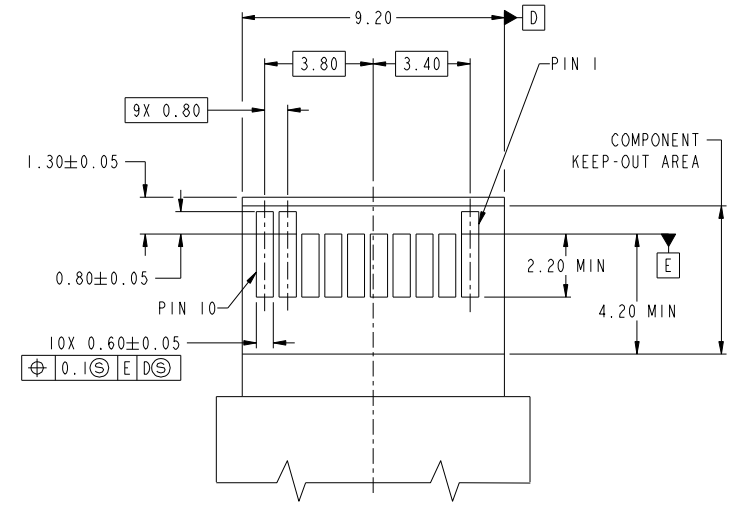
PRODUCT NUMBER
10099099-111LF



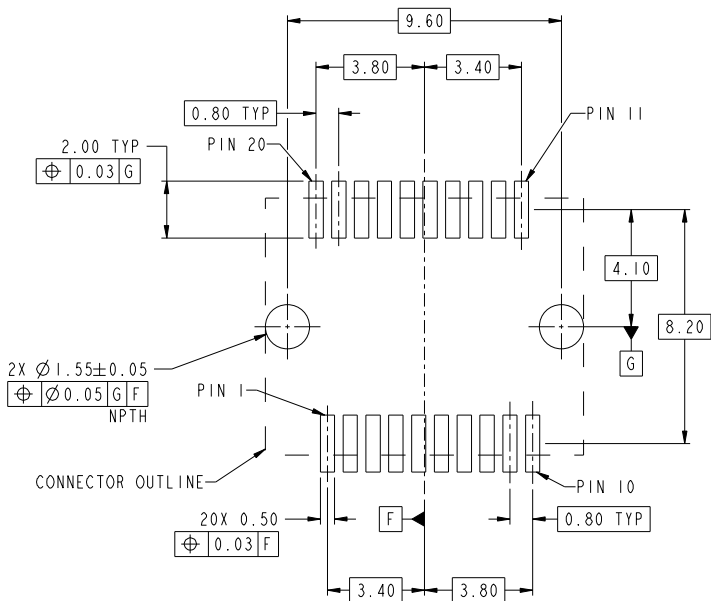
TOP VIEW OF BOARD



RECOMMENDED MATING PCB CONFIGURATION



BOTTOM VIEW OF BOARD

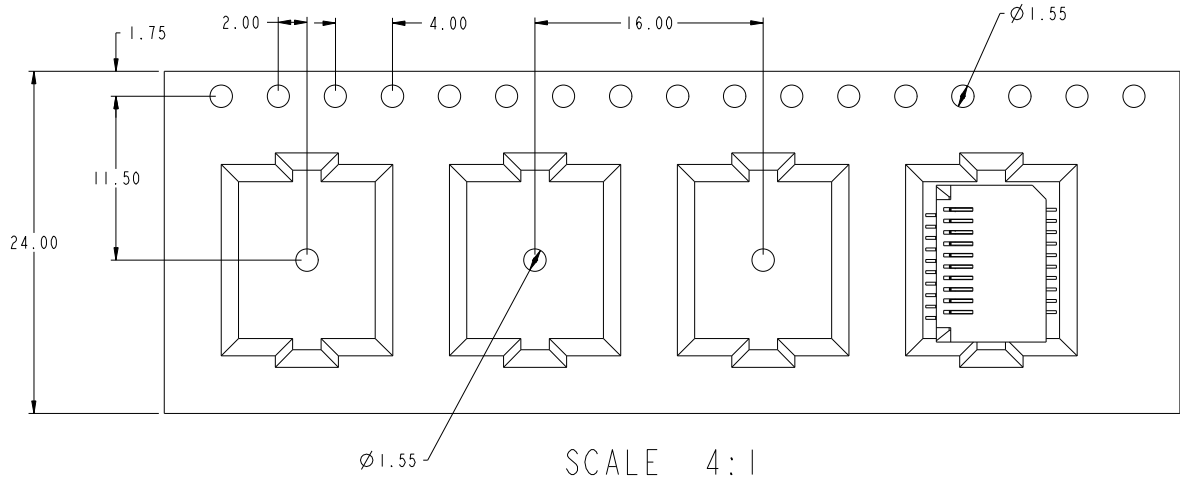


RECOMMENDED PCB CONFIGURATION

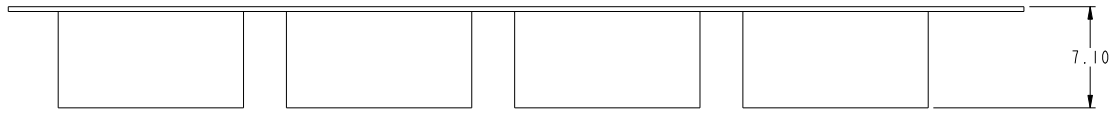
Copyright FCI.
FCI

www.fciconnect.com		surface - ASME Y14.5	tolerance std ASME Y14.5	projection MM	TOLERANCES UNLESS OTHERWISE SPECIFIED	
Dr	S. MANI	2009-04-08	ANGULAR	LINEAR	size	Scale
Eng	M. GRAY	2009-05-21	0.x	±0.2	A2	1:1
Chr	M. GRAY	2009-05-21	0.xx	±0.15	ECN	N10-0376
Appr	M. GRAY	2009-05-21	0.xxx	±	Spec ref	RELEASE
Product family		SFP+		Spec ref		
FCI		SFP+ 20 POSITION		10099099		Rev.
STANDARD TYPE		catalog no		CUSTOMER		sheet 2 of 3

TAPE-ON-REEL PACKAGING TYPE



UN-REELING DIRECTION OF FEED 



Copyright FCI. FCI

www.fciconnect.com		surface ASME Y14.5	tolerance std ASME Y14.5	projection ASME Y14.5	MM
TOLERANCES UNLESS OTHERWISE SPECIFIED					
Dr	S. MANI	2009-04-08	ANGULAR	0.x	±0.2
Eng	M. GRAY	2009-05-21	LINEAR	0.xx	±0.15
Chr	M. GRAY	2009-05-21	0° ±1"	0.xxx	±
Appr	M. GRAY	2009-05-21	Product family	SFP+	Spec ref
FCI			SPP+ 20 POSITION		Rev.
STANDARD TYPE			10099099		B
catalog no			CUSTOMER		sheet 3 of 3

Mouser Electronics

Authorized Distributor

Click to View Pricing, Inventory, Delivery & Lifecycle Information:

[FCI / Amphenol:](#)

[10099099-111LF](#)