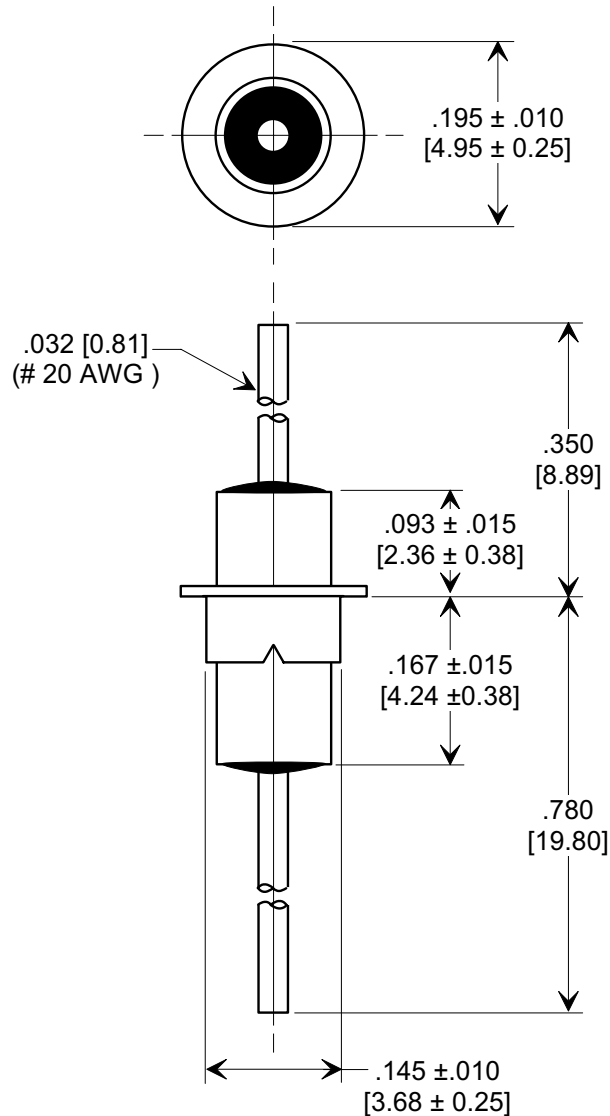
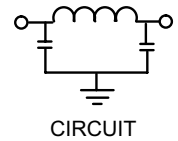
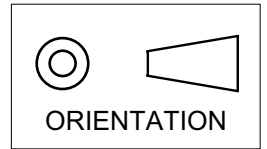


**MARKETING SALES DRAWING**  
**DIMENSIONS IN INCHES - DO NOT SCALE THIS DRAWING**  
**DIMENSIONS IN METRIC - [ ]**

Electrical Testing  
per Tusonix standard  
test plans and Mil-Std-202  
Test Methods.



**NOTES:**

- TUSONIX STANDARD PART NUMBER: 4101-003.  
 TUSONIX RoHS COMPLIANT PART NUMBER: 4101-003 LF.  
 CUSTOMER MUST SPECIFY STANDARD OR RoHS PART NUMBER WHEN ORDERING.
- LEAD FINISH: STANDARD PART #: 60/40 SOLDER PLATED. RoHS PART #: SILVER PLATED.
- EYELET FINISH: STANDARD PART #: 60/40 SOLDER PLATED. RoHS PART #: SILVER PLATED.
- PART MARKING: STANDARD PART: NO MARKING. RoHS PART: GREEN DOT IDENTIFIER.

MIN. CAP. (pF)	WORKING VOLTAGE (WVdc)		CURRENT Idc. (A)	I.R. MIN. @ 100 (VDC.)	DWV (VDC)	MINIMUM NO LOAD INSERTION LOSS (dB) AT 25°C PER MIL-STD-220			
	85°C	125°C				10 MHz	100 MHz	1 GHz	10 GHz
1750	250	125	10	10 G	500	5	50	60	60

X-2015 Rev-0	<b>REVISION RECORD</b>		<b>TUSONIX</b> TUCSON, ARIZONA	--TOLERANCES-- Unless Otherwise Specified		Title	
	Original Release C.O. <b>2898</b>	<b>0</b>		DECIMAL ± .031 [0.79]	<b>EYELET STYLE EMI FILTER</b> Drawn S.M. 07-19-00 Scale 5 X Approved T.C. 07-19-00		
	RDN TO CMP FMT. S.M. 07-19-00	<b>1</b>		ANGLES ±			
	<b>20000914-3-04</b> ADDED NOTES, DWV & IR. S.M. 06-13-05	<b>2</b>		<b>20050610-3-02</b>	<b>A</b>	<b>4101-003</b>	

# Mouser Electronics

Authorized Distributor

Click to View Pricing, Inventory, Delivery & Lifecycle Information:

[Tusonix / CTS:](#)

[4101-003LF](#)