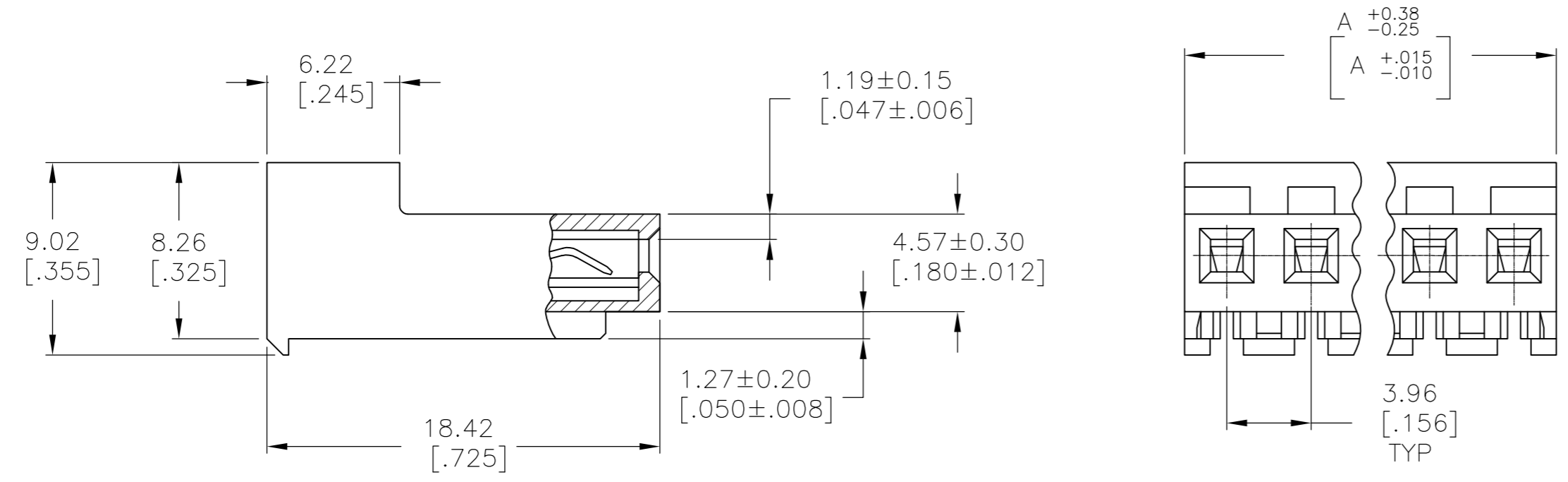
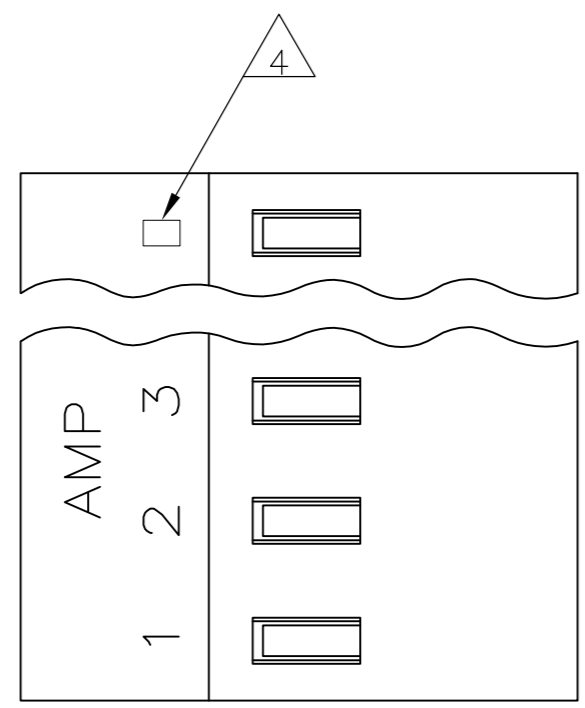


THIS DRAWING IS UNPUBLISHED. RELEASED FOR PUBLICATION
 © COPYRIGHT - By - ALL RIGHTS RESERVED.

LOC		DIST		REVISIONS			
P	LTR	DESCRIPTION		DATE	DWN	APVD	
S4		REVISED PER ECR-17-018264		22JAN2018	BDA	SG	



95.10[3.744]	24	5-640434-4
91.13[3.588]	23	5-640434-3
87.17[3.432]	22	5-640434-2
83.21[3.276]	21	5-640434-1
79.25[3.120]	20	5-640434-0
75.29[2.964]	19	4-640434-9
71.32[2.808]	18	4-640434-8
67.36[2.652]	17	4-640434-7
63.40[2.496]	16	4-640434-6
59.44[2.340]	15	4-640434-5
55.47[2.184]	14	4-640434-4
51.51[2.028]	13	4-640434-3
47.55[1.872]	12	4-640434-2
43.59[1.716]	11	4-640434-1
39.62[1.560]	10	4-640434-0
35.66[1.404]	9	3-640434-9
31.70[1.248]	8	3-640434-8
27.74[1.092]	7	3-640434-7
23.77[.936]	6	3-640434-6
19.81[.780]	5	3-640434-5
15.85[.624]	4	3-640434-4
11.89[.468]	3	3-640434-3
7.92[.312]	2	3-640434-2

1 MATERIAL: CONNECTOR - NYLON UL94-V2 (WHITE)
 CONTACTS - 0.30[.012] THICK COPPER ALLOY
 (BRIGHT TIN-LEAD 0.00203[.000080] MIN. THICK
 FOR CONTACTS 640434-2 THRU 2-640434-4).
 (MATTE WHISKER MITIGATED TIN 0.00203[.000080] MIN.
 THICKNESS OVER NICKEL UNDERPLATE FOR 3-640434-2
 THRU 5-640434-4).

- 2. CONTACTS ACCEPT 24 AWG WIRE WITH 2.41[.095] MAX INSULATION DIAMETER.
- 3. CONTACTS MUST ACCEPT 1.14±0.03[.045] POST AND REMAIN LOCKED IN POSITION.
- 4 IDENTIFICATION NUMBER FOR LAST CIRCUIT MAY NOT APPEAR ON ALL ASSEMBLIES.
- 5. DIMENSIONS IN BRACKETS ARE IN INCHES.
- 6. HOUSING FEATURES ARE: CLOSED END WITH LOCKING RAMP.

7 OBSOLETE PARTS: OBSOLETE CIS STREAMLINING PER D.RENAUD/D.SINISI
 8 OBSOLETE PARTS

SUPERSEDED	95.10[3.744]	24	2-640434-4
SUPERSEDED	91.13[3.588]	23	2-640434-3
SUPERSEDED	87.17[3.432]	22	2-640434-2
SUPERSEDED	83.21[3.276]	21	2-640434-1
SUPERSEDED	79.25[3.120]	20	2-640434-0
SUPERSEDED	75.29[2.964]	19	1-640434-9
SUPERSEDED	71.32[2.808]	18	1-640434-8
SUPERSEDED	67.36[2.652]	17	1-640434-7
SUPERSEDED	63.40[2.496]	16	1-640434-6
SUPERSEDED	59.44[2.340]	15	1-640434-5
SUPERSEDED	55.47[2.184]	14	1-640434-4
SUPERSEDED	51.51[2.028]	13	1-640434-3
SUPERSEDED	47.55[1.872]	12	1-640434-2
SUPERSEDED	43.59[1.716]	11	1-640434-1
SUPERSEDED	39.62[1.560]	10	1-640434-0
SUPERSEDED	35.66[1.404]	9	640434-9
SUPERSEDED	31.70[1.248]	8	640434-8
SUPERSEDED	27.74[1.092]	7	640434-7
SUPERSEDED	23.77[.936]	6	640434-6
SUPERSEDED	19.81[.780]	5	640434-5
SUPERSEDED	15.85[.624]	4	640434-4
SUPERSEDED	11.89[.468]	3	640434-3
SUPERSEDED	7.92[.312]	2	640434-2

THIS DRAWING IS A CONTROLLED DOCUMENT.		DWN S. CARPENTER 13AUG2003	TE Connectivity	
DIMENSIONS: mm [INCHES]		CHK D. BOSSI 13AUG2003		
TOLERANCES UNLESS OTHERWISE SPECIFIED:		APVD D. BOSSI 13AUG2003	NAME	
0 PLC ± -		PRODUCT SPEC	MTA 156 CONNECTOR ASSEMBLY, 24 AWG, STANDARD	
1 PLC ± -		APPLICATION SPEC	SIZE	CAGE CODE
2 PLC ± -		108-1051	A2	00779
3 PLC ± 0.13 [.005]		114-1020	DRAWING NO	RESTRICTED TO
4 PLC ± -		WEIGHT	C=640434	-
ANGLES ± -		CUSTOMER DRAWING	SCALE	SHEET
FINISH		SCALE 4:1	1 OF 1	REV S4

Mouser Electronics

Authorized Distributor

Click to View Pricing, Inventory, Delivery & Lifecycle Information:

[TE Connectivity:](#)

[4-640434-1](#)