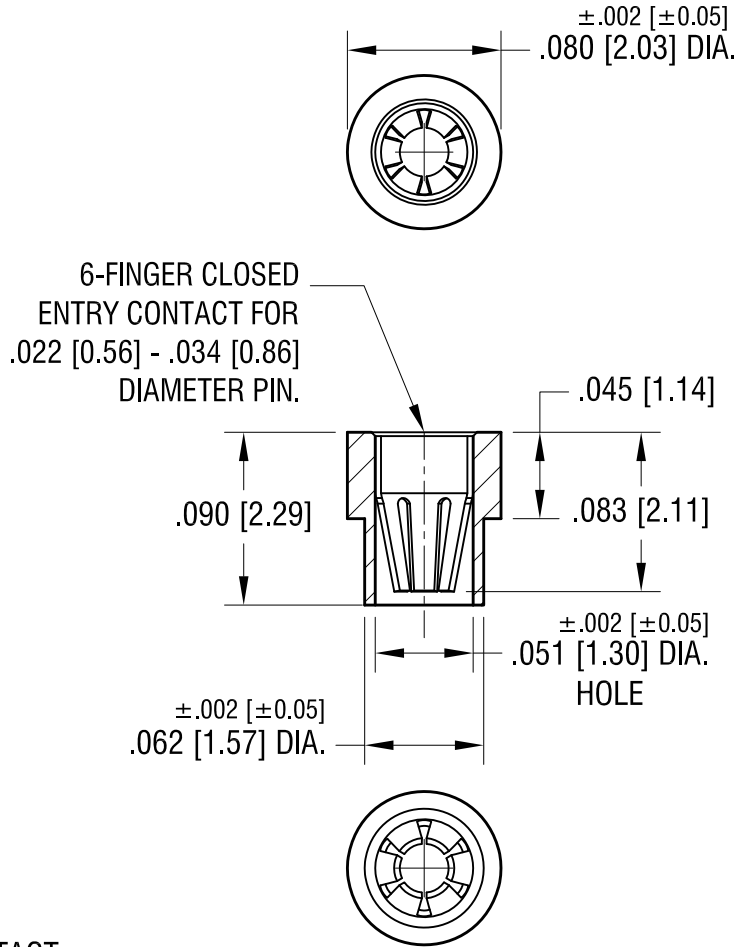


ACTUAL SIZE



NOTES:

1. SPRING CONTACT:  
MAT'L - BERYLLIUM COPPER  
FINISH - GOLD PLATE
2. BODY:  
MAT'L - BRASS  
FINISH - GOLD PLATE
3. MOUNTING HOLE DIA.: .065 [1.65]

<b>KEYSTONE ELECTRONICS CORP.</b>			
www.keyelco.com • ASTORIA, N.Y. 11105-2017 • Tel (718) 956-8900			
PART NAME			
MICRO JACK, SOLDER MOUNT			
MATERIAL			
AS NOTED			
FINISH		DRN BY	DATE
AS NOTED		BOONE	4.5.07
		APP'D	SCALE
		LN	10X
TOLERANCES	INCH [MM]	CODE	DWG NO.
DECIMAL	± .005 [± 0.13]	C	1658
ANGULAR	± 1°		
UNLESS OTHERWISE SPECIFIED			

DATE	DESCRIPTION	REV.	
------	-------------	------	--

# Mouser Electronics

Authorized Distributor

Click to View Pricing, Inventory, Delivery & Lifecycle Information:

[Keystone Electronics:](#)

[1658](#)