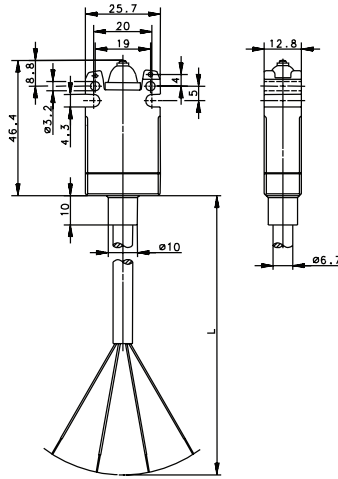
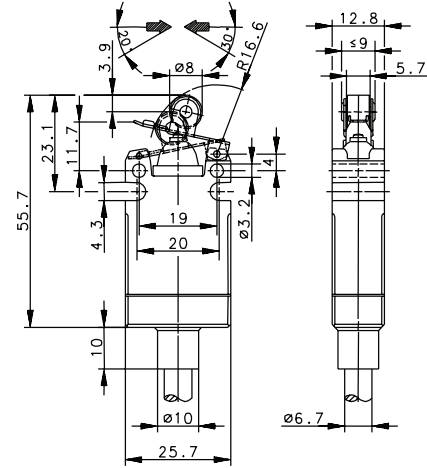


**EEX Series Limit Switches**

**EEX W**



**EEX RH**



6.5' (2 meter) connection cable

**609.0153.002** 13 14  
EEX-SU1Z W -2M- 21 22

**609.0148.022** 13 14  
EEX-SU1Z RH -2M- 21 22

16.4' (5 meter) connection cable

-  
-

**609.0148.024** 13 14  
EEX-SUTZ RH -5M- 21 22

29.5' (9 meter) connection cable

**609.0153.005** 13 14  
EEX-SU1Z W -9M- 21 22

**609.0148.025** 13 14  
EEX-SUTZ RH -9M- 21 22

**EX Certification**

**Ex** II 2 G EEx d IIC T6

**Ex** II 2 G EEx d IIC T6

**Technical Information**

Maximum Switching Voltage	230V	230V
Maximum Switching Amperage	5A	5A
B10d	4 Million	4 Million
Mechanical Service Life	2 x 10 <sup>6</sup>	2 x 10 <sup>6</sup>
Switching Frequency	≤ 120/min	≤ 120/min
Operating Temperature	-20 °C to +65 °C	-20 °C to +65 °C
Protection Rating	IP66 / IP67	IP66 / IP67
Utilization Category	AC 15, 240 V / 3 A; DC 13, 250 V / 0.27 A	AC 15, 240 V / 3 A; DC 13, 250 V / 0.27 A
Rate Insulation Voltage	250VAC	250VAC

Drawing dimensions in mm

# Mouser Electronics

Authorized Distributor

Click to View Pricing, Inventory, Delivery & Lifecycle Information:

[Altech:](#)

[609.0153.005](#) [609.0148.022](#) [609.0148.025](#) [609.0153.002](#) [609.0148.024](#)