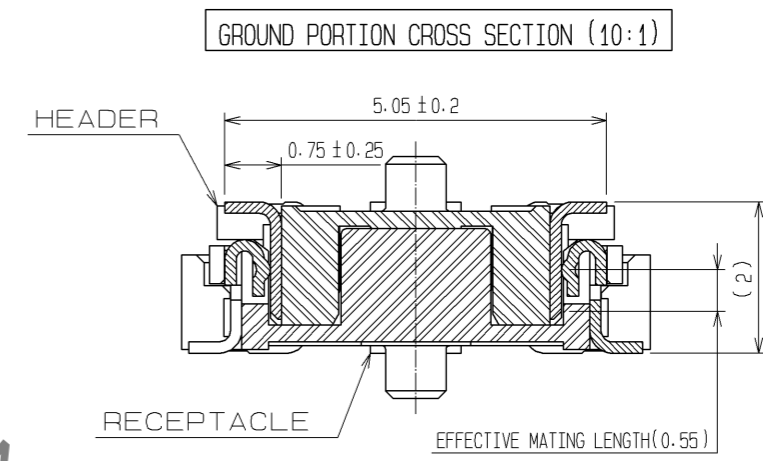
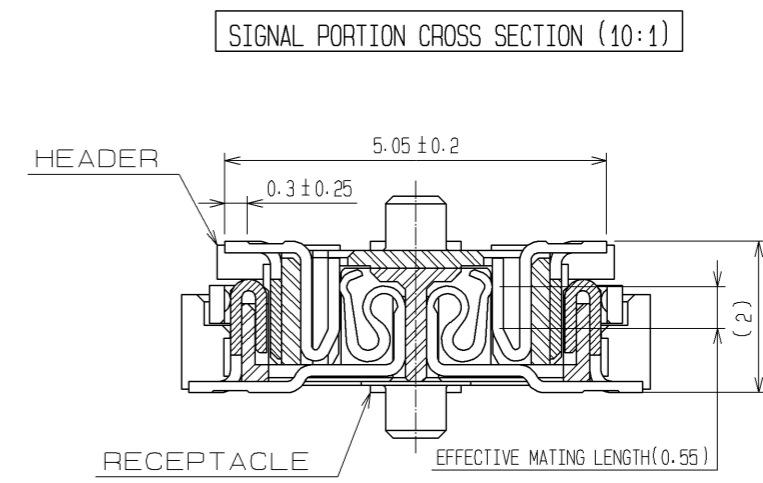
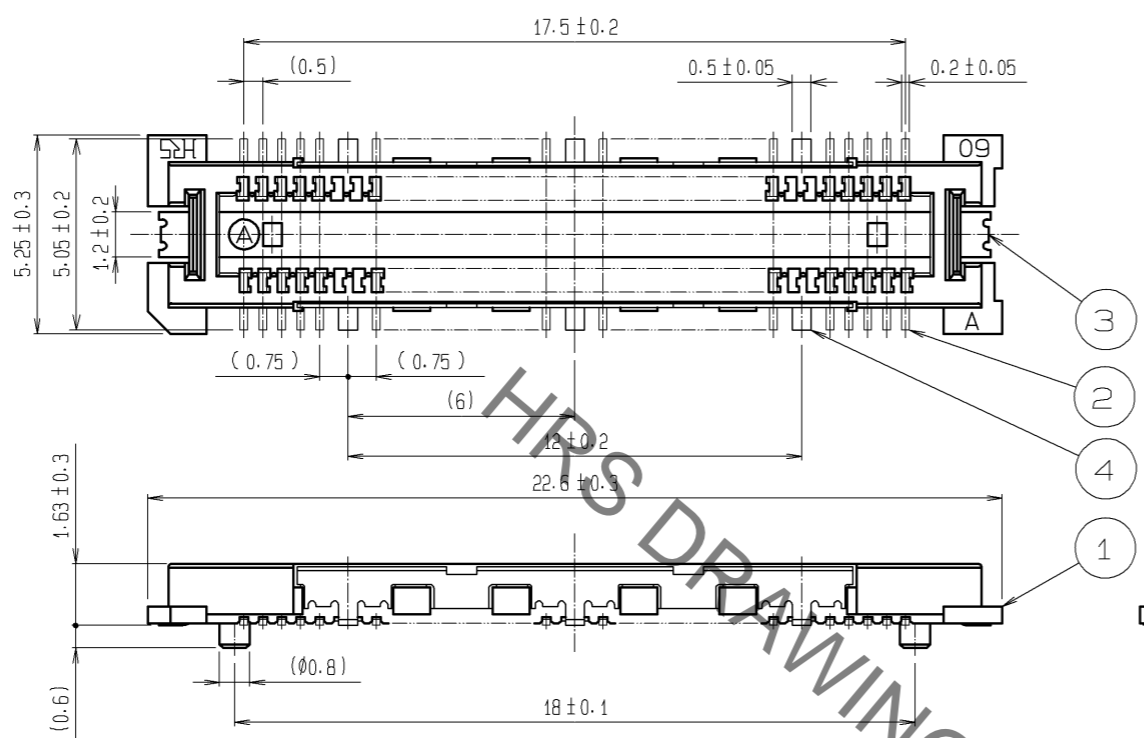
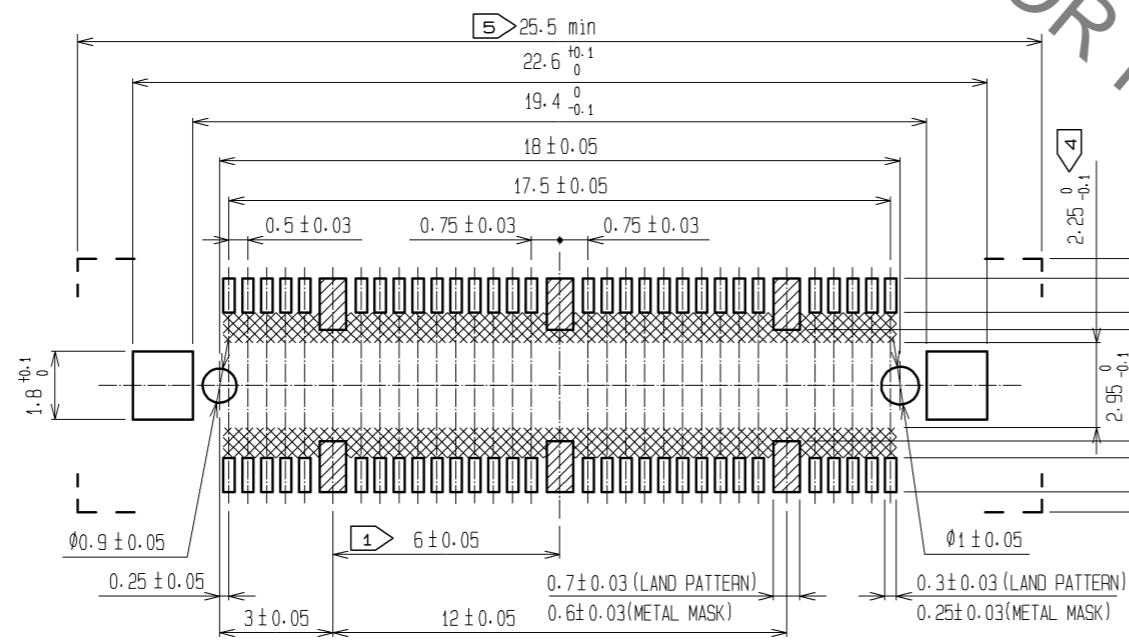


Oct.1.2020 Copyright 2020 HIROSE ELECTRIC CO., LTD. All Rights Reserved.  
In case of consideration for using Automotive equipment / device which demand high reliability, kindly contact our sales window correspondents.



RECOMMENDED LAND PATTERN DIMENSION OF PCB  
(RECOMMENDED METAL MASK THICKNESS: 0.15mm)



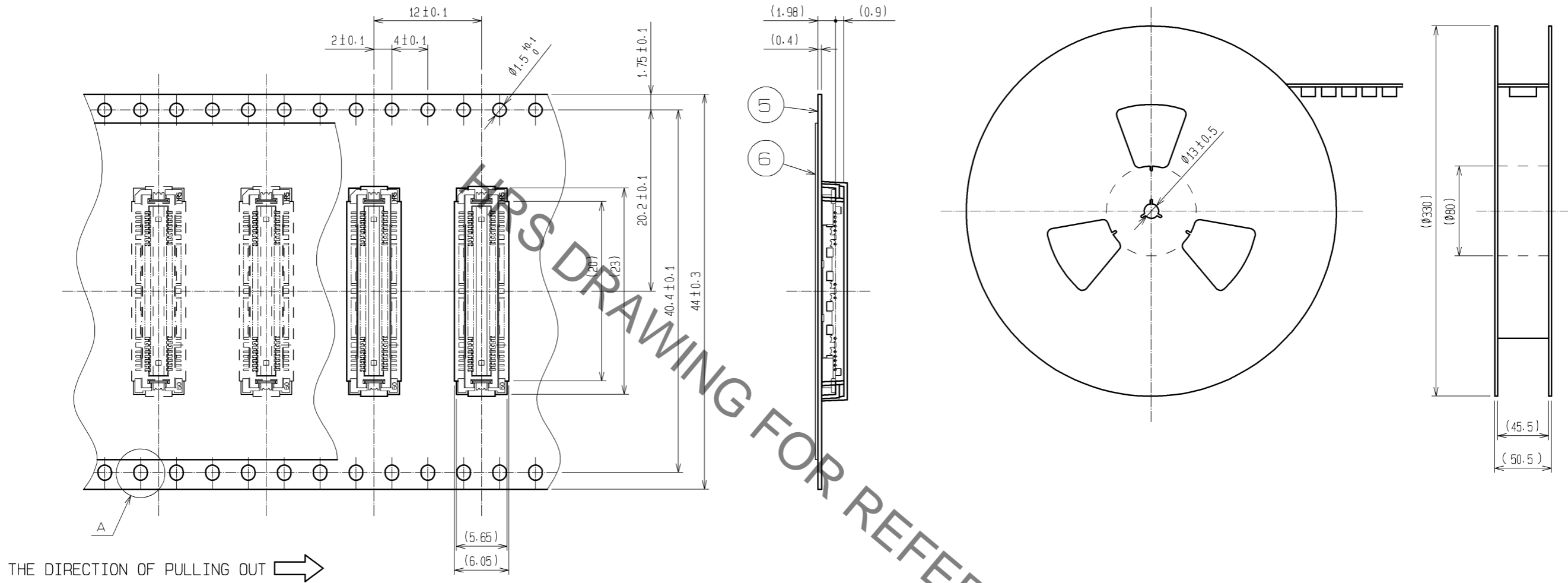
- NOTES
- ① 6 HATCHED PARTS: GROUND CIRCUIT.
  - ② SMT LEAD-COPLANARITY: 0.1 MAX.
  - ③ THIS PRODUCT HAS NO POLARITY TO PATTERN FOR MOUNTING.
  - ④ MAKE SURE WIDTH OF PATTERN IS WITHIN THAT OF LAND .OR LEAD MAY TOUCH PATTERN. (THIS APPLIES TO HATCHED AREA.)
  - ⑤ DO NOT MOUNT OTHER DEVICES ONTO [ ] AREA ,OR MATING PAIR CANNOT BE MATED.
  - ⑥ TO BE EMBOSSED CARRIER TAPED AS SPECIFIED IN SHEET 2.
  - ⑦ THE DIMENSIONS IN PARENTHESES ARE FOR REFERENCE.

3, 4	PHOSPHOR BRONZE	TIN PLATING			
		CONTACT AREA : GOLD 0.1μm min.			
2	COPPER ALLOY	LEAD AREA : GOLD FLASH			
		UNDER PLATING : NICKEL 1μm min.	6	PET	(TOP COVER TAPE)
1	LCP	BEIGE UL94V-0	5	PS	(EMBOSSED CARRIER TAPE)
NO.	MATERIAL	FINISH . REMARKS	NO.	MATERIAL	FINISH . REMARKS
UNITS mm		SCALE 5 : 1	COUNT △	DESCRIPTION OF REVISIONS	
DESIGNED		CHECKED		DATE	
APPROVED : HS. OKAWA			09.05.22		
CHECED : HT. YAMAGUCHI			09.05.22		
DESIGNED : YN. TAKANO			09.05.21		
DRAWN : HK. SUNADORI			09.05.20		
DRAWING NO.			EDC3-152092-21		
PART NO.			FX11LA-60P/6-SV(91)		
CODE NO.			CL573-0002-7-91		
			△ 1/2		

Oct.1.2020 Copyright 2020 HIROSE ELECTRIC CO., LTD. All Rights Reserved.  
 In case of consideration for using Automotive equipment / device which demand high reliability, kindly contact our sales window correspondents.

DRAWING FOR PACKING(2:1)

REELED DIMENSION(Free)



HRS DRAWING FOR REFERENCE

- NOTES
- 1 REEL : 1000 CONNECTORS.
  - 2 MINIMUM 10 COMPARTMENTS FROM BOTH REEL ENDS REMAIN EMPTY.
  - 3 THIS PRODUCT HAS NO POLARITY TO TAPE AND REEL PACKAGING.
  - 4 THE DIMENSIONS IN PARENTHESES ARE FOR REFERENCE.

<b>HRS</b>	DRAWING NO.	EDC3-152092-21
	PART NO.	FX11LA-60P/6-SV(91)
	CODE NO.	CL573-0002-7-91
		$\triangle$ 2/2