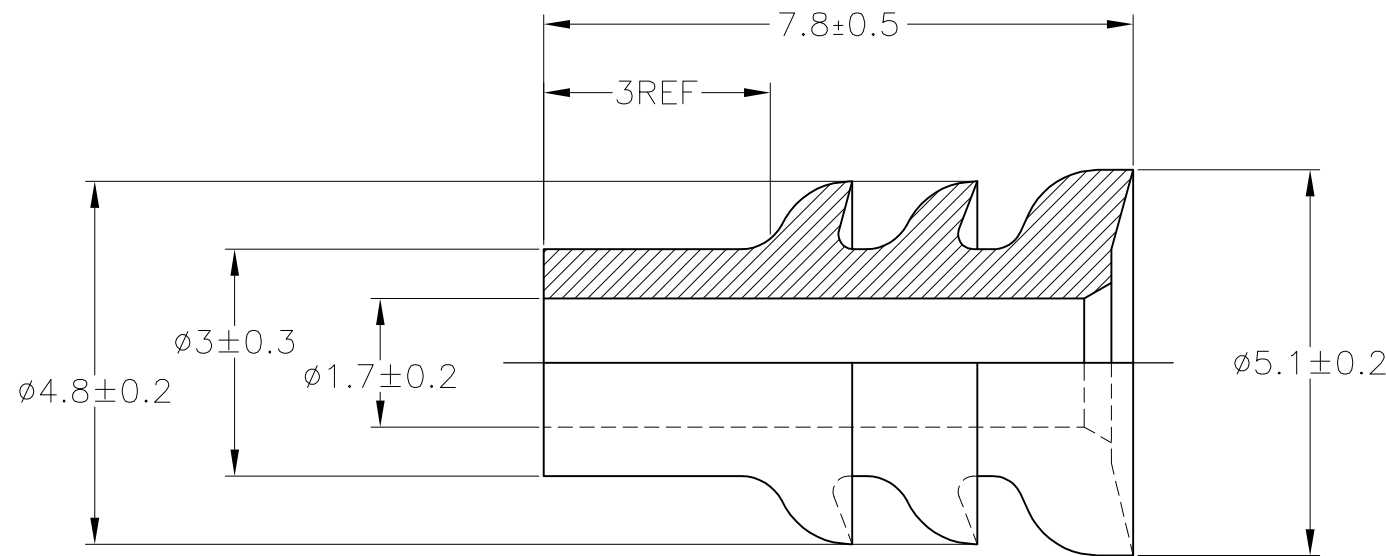


THIS DRAWING IS UNPUBLISHED. RELEASED FOR PUBLICATION  
 © COPYRIGHT - By - ALL RIGHTS RESERVED.

LOC	DIST	REVISIONS 変更					
J	—	P	LTR	DESCRIPTION	DATE	DWN	APVD
			C2	REVISED PER ECO-11-005140	28MAR11	RK	HMR



△ OIL COATED TYPE

△ オイル塗布タイプ

NBR	灰色 (GRAY)	9-172888-2
Si	べんがら色 (BROWN)	1-172888-3
NBR	緑色 (GREEN)	172888-3
NBR △	灰色 (GRAY)	172888-2
SEE DRAWING 172888-1		172888-1
MATERIAL	COLOR	PART NUMBER

WIRE RANGE 0.5~1.25mm <sup>2</sup> (AWG#20-#16)		INSULATION DIA. 2~2.6mmφ	
THIS DRAWING IS A CONTROLLED DOCUMENT.			
DIMENSIONS: 単位: 耗 mm		TOLERANCES UNLESS OTHERWISE SPECIFIED: 一般公差	
		0 PLC ±- 1 PLC ±- 2 PLC ±- 3 PLC ±- 4 PLC ±- ANGLES ±-	
MATERIAL 材料 SEE TABLE		FINISH 仕上 -	
DWN T.SHINOHARA 11MAY06		CHK K.BETSUI 11MAY06	
APVD K.BETSUI 11MAY06		NAME 名称	
PRODUCT SPEC 製品規格		APPLICATION SPEC 取付適用規格	
WEIGHT -		SIZE A3	
CUSTOMER DRAWING		CAGE CODE 00779	
DRAWING NO 番号 C-172888		RESTRICTED TO -	
SCALE 尺度 10:1		SHEET 1 OF 1	
REV C2			



070 TYPE RUBBER PLUG

# Mouser Electronics

Authorized Distributor

Click to View Pricing, Inventory, Delivery & Lifecycle Information:

[TE Connectivity:](#)

[172888-2](#)