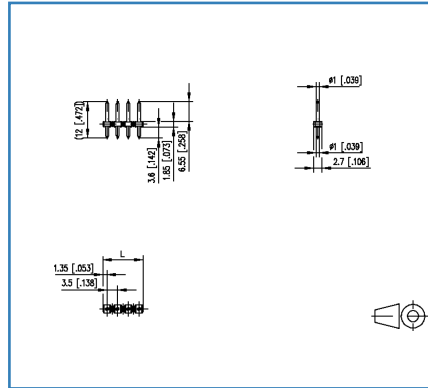


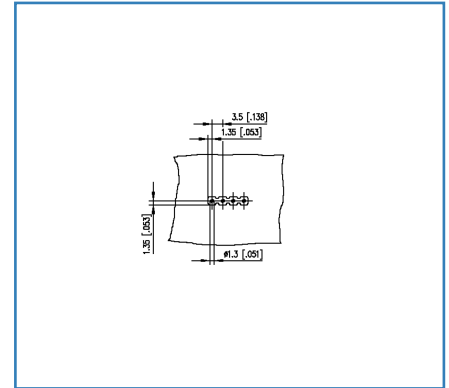
### Illustrations



Dimensional drawing



Drill pattern



See enlarged drawings at the end of document

### Product specification



- pin header, THR solderable
- centerline 3.50 mm, direction of connection vertical 0°
- fittable without loss of poles
- color black
- Tape & Reel packaging

## Technical Data

### General Data

Solder pin length	3.6 mm		
min. number of poles	2		
max. number of poles	24		
Insulating material class	CTI 600		
clearance/creepage dist.	2.5 mm		
Overvoltage category	III	III	II
Pollution degree	3	2	2
Rated voltage	200 V	500 V	500 V
Rated test voltage	2.5 kV	2.5 kV	2.5 kV

### Approvals

 V / A	300 / 15
 SEV Reg 130002	200 V / 2.5 kV / 6 A 1.0 mm

### Material

insulating material	PA46
flammability class	V0
contact pin material	CuZn
contact pin surface	Ni + Sn
REACH - substance (SVHC)	Lead / 7439-92-1

### Climatic Data

upper limit temperature	105 °C
lower limit temperature	-40 °C

### General

Tolerance	ISO 2768 -mH
solderability	Acc. to IPC/JEDEC J-STD-020D-MSL 1

# U | Contact

Data sheet  
**PR033xxVBHC Typ 224**

Page 3/5

P/N  
**312241xx**

**xx=number of poles**

2019/02/06

Version: R

## Counterpart of

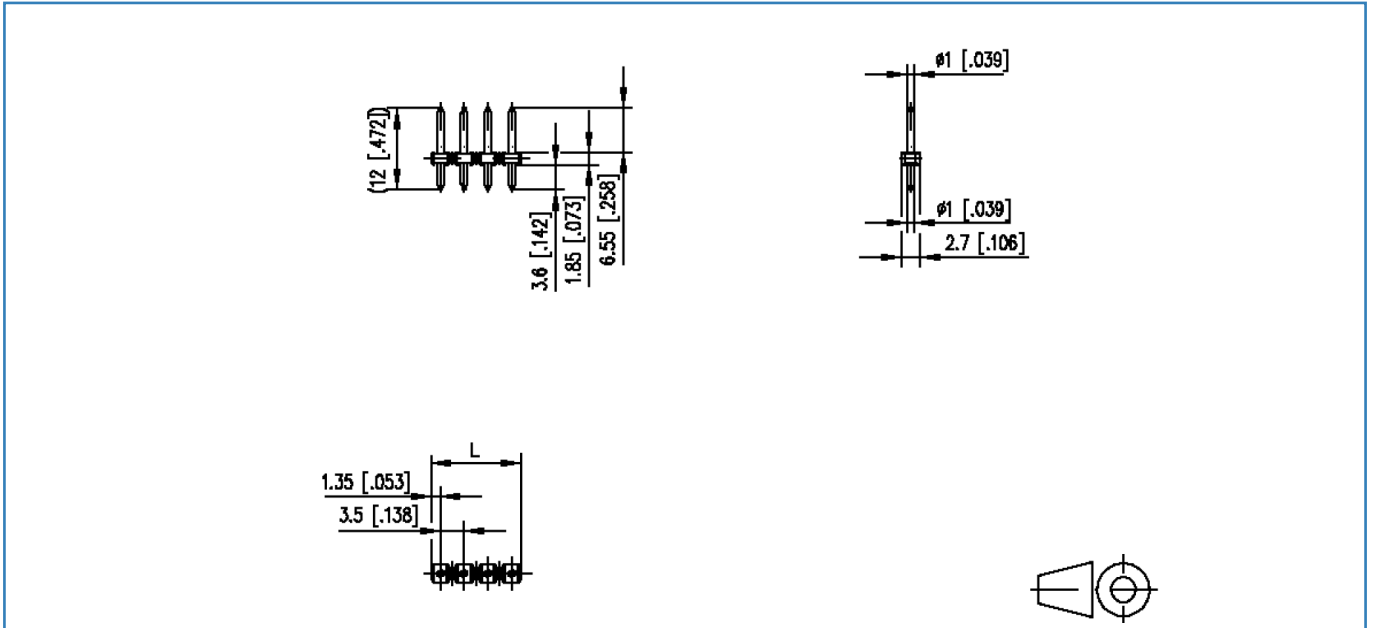
P/N	Designation
311661	RP023xxHBWC Typ 166

© 2019 METZ CONNECT - Technische Änderungen vorbehalten! Subject to modifications! Sous réserve de modifications techniques!



**Illustrations**

Dimensional drawing



# U | Contact

Data sheet  
**PR033xxVBHC Typ 224**

Page 5/5

P/N  
**312241xx**

xx=number of poles

2019/02/06

Version: R

## Illustrations

Drill pattern

