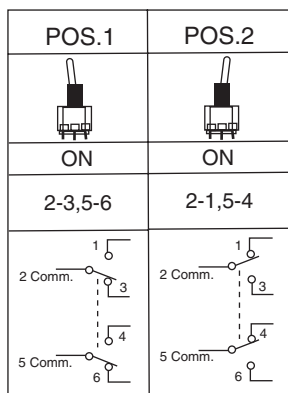
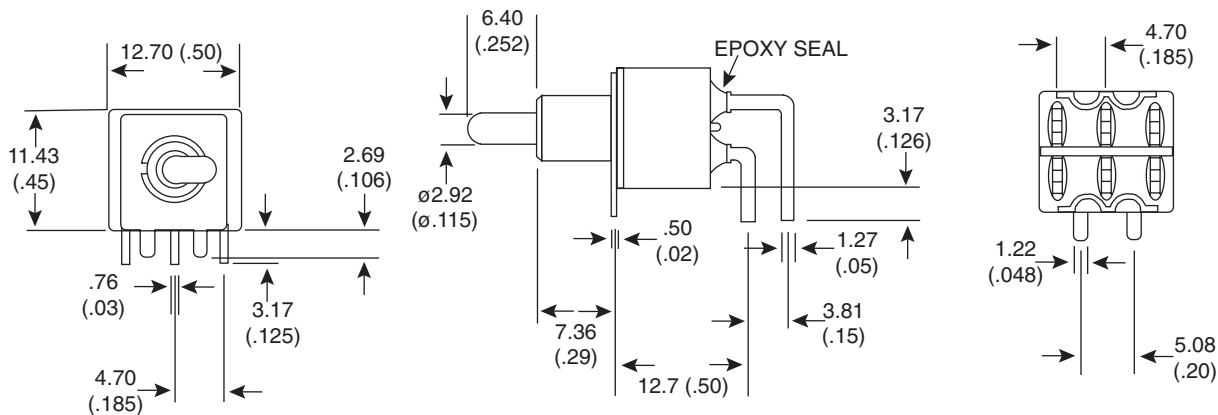
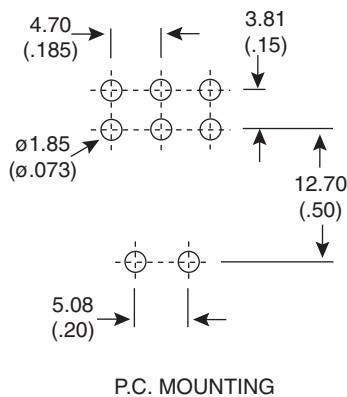
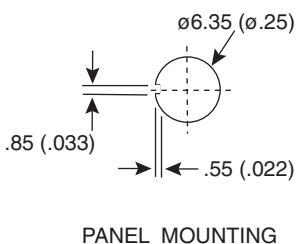


Dimensions: mm (in.)



SWITCH FUNCTION



**Electrical Specifications:**

- Electrical Life: 40,000 make-and-break cycles at full load
- Contact Resistance: 10m $\Omega$  max. initial @ 2-4VDC 100mA
- Insulation Resistance: 1,000M $\Omega$  min
- Dielectric Strength: 1,000 V RMS@ sea level
- Rating: 2A / 250 VAC; 5A / 120 VAC or 28 VDC

**Mechanical Specifications:**

- Operating Temperature: -30° C to +85° C

**Note:**

- RoHS compliant by exemption

**Materials:**

- Case: Diallyl phthalate (DAP)
- Acuator: Brass, chrome plated
- Bushing: Brass, nickel plated
- Housing: Stainless steel
- Terminal/Contact: Silver or Gold plated

**Toggle Switch**  
108-1MD1T2B4M6QE-EVX



# Mouser Electronics

Authorized Distributor

Click to View Pricing, Inventory, Delivery & Lifecycle Information:

[Mountain Switch:](#)

[108-1MD1T2B4M6QE-EVX](#)