

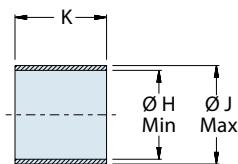
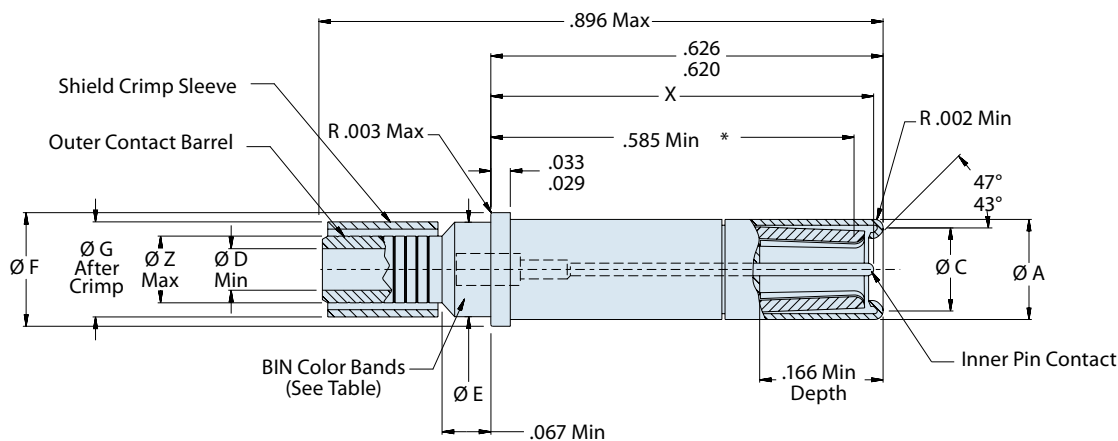
**D38999**  
 Ser. I, III, IV

**Size #12 Coaxial Socket Contacts for MIL-DTL-38999 Series I, III and IV Connectors**

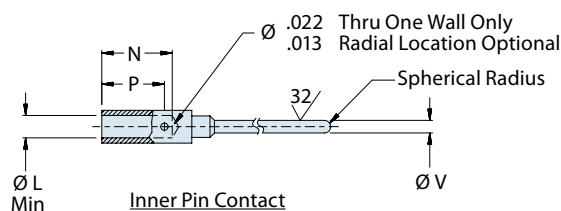

These contacts offer improved frequency response compared to standard coaxial contacts. VSWR is 1.32:1 at 3GHz. Nominal impedance is 50 ohms. Insertion loss at 3GHz is 0.20 dB maximum. Inner contact is rated at 1 amp, the outer contact 12 amps. DWV voltage rating is 1000 Vac rms sea level, 250 Vac at 50,000 feet. Contacts are packaged individually and shipped unassembled with instruction sheet. Inner and outer contacts are gold-plated copper alloy. 5000 megohm insulation resistance.

**B**

Type	Cable Accommodation	Part Number	Military Part Number	Color Band		
				1st	2nd	3rd
Socket	M17/113-RG316	<b>852-005-12-559</b>	M39029/103-559	Green	Green	White
	M17/094-RG179					



Shield Crimp Sleeve



Inner Pin Contact

**M39029/103**  
**852-005**  
**Size 12 Coaxial Socket**



**Table I**

BIN Code	ØA	ØC	ØD	ØE	ØF	ØG Max	ØH Max	ØJ Max
559	.160 (4.06) .158 (4.01)	.123 (3.1) .118 (3.0)	.069 (1.8) .066 (1.7)	.151 (3.84) .148 (3.76)	.182 (4.62) .179 (4.55)	.156 (4.0)	.127 (3.2)	.169 (4.3)

**Table I (continued)**

BIN Code	K	ØL Min	N	P	ØV	X	ØZ Max
559	.180 (4.6) .170 (4.3)	.022 (.6)	.100 (2.5) .084 (2.1)	.088 (2.2) .063 (1.6)	.0205 (.52) .0195 (.50)	.613 (15.6) .603 (15.3)	.110 (2.8)

**Table III**

Inner Contact		Outer Contact		Insertion Tool	Extraction Tool
Basic Crimping Tool	Positioner	Basic Crimping Tool	Die		
Daniels MH992	M22520/2-34	M22520/5-01	M22520/5-03	M81969/8-09 or M81969/14-04	M81969/8-10 or M81969/14-04

Note: May be crimped or soldered

**Material and Finish**

Contact Body: Copper Alloy/Gold Plated  
Hood: Stainless Steel/Passivated  
Center Contact: Copper Alloy/Gold Plated  
Crimp Sleeve: Copper Alloy/Gold Plated  
Insulator: Teflon

\* Indicates point at which a square ended pin of the same basic diameter as the mating contact first engages the outer contact spring

# Mouser Electronics

Authorized Distributor

Click to View Pricing, Inventory, Delivery & Lifecycle Information:

[Glenair:](#)

[M39029/103-559](#)