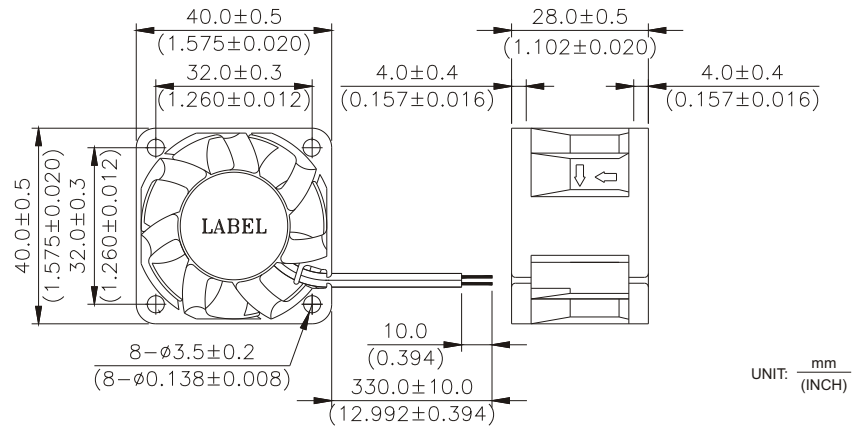


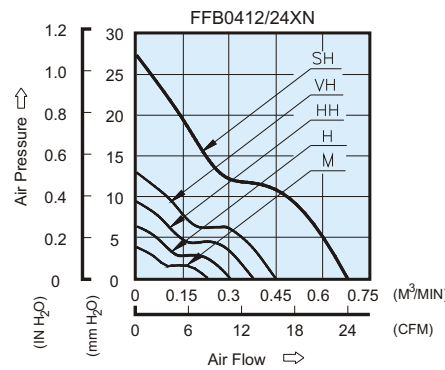
# FFB 40 x 40 x 28 MM SERIES

## DIMENSIONS DRAWING

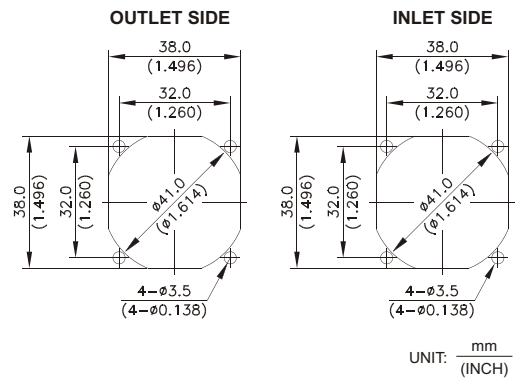


- \* Bearing Type  
Ball Bearings
- \* Material  
Impeller & Frame : Plastic (UL 94V-0)
- \* Lead Wires :  
UL 1007 AWG #24 OR Equivalent  
Red Wire Positive (+)  
Black Wire Negative (-)
- \* Weight : 32g (1.13 oz)

## P & Q CURVE (AT RATED VOLTAGE)



## MOUNTING PANEL CUTOUT



MODEL		Rated Voltage	Operating Voltage Range	Rated Current	Rated Input Power	Speed	Maximum Air Flow		Maximum Air Pressure		Noise
PART NO.	FUNCTION	VDC	VDC	Amp	Watt	R.P.M.	m <sup>3</sup> /min	CFM	mmH <sub>2</sub> O	IN H <sub>2</sub> O	dB-A
FFB0412MN	-R00 / -F00	12	4.5 to 13.8	0.05	0.60	5000	0.228	8.05	3.77	0.148	23.9
FFB0424MN	-R00 / -F00	24	14.0 to 27.6	0.04	0.96						
FFB0412HN	-R00 / -F00	12	4.5 to 13.8	0.07	0.84	6500	0.300	10.59	6.30	0.248	32.1
FFB0424HN	-R00 / -F00	24	14.0 to 27.6	0.06	1.44						
FFB0412HHN	-R00 / -F00	12	4.5 to 13.8	0.11	1.32	8000	0.375	13.24	9.39	0.370	36.9
FFB0424HHN	-R00 / -F00	24	14.0 to 27.6	0.08	1.92						
FFB0412VHN	-R00 / -F00	12	4.5 to 13.2	0.16	1.92	9500	0.447	15.79	12.94	0.509	41.9
FFB0424VHN	-R00 / -F00	24	14.0 to 26.4	0.10	2.40						
FFB0412SHN	-R00 / -F00	12	4.0 to 13.8	0.50	6.00	13000	0.680	24.00	27.30	1.075	51.5

\* Function type is optional.  
 \* The max. air flow and the speed are measured in free air ; max. air pressure is measured at zero air flow.  
 \* Noise is measured in anechoic chamber in free air, one meter from intake side.  
 \* All readings are typical values at rated voltage.  
 \* Specifications are subject to change without notice.

# Mouser Electronics

Authorized Distributor

Click to View Pricing, Inventory, Delivery & Lifecycle Information:

## Delta Electronics:

[FFB0412VHN-F00](#) [FFB0412VHN](#) [FFB0424HN-R00](#) [FFB0424HHN-R00](#) [FFB0412HN-R00](#) [FFB0412VHN-AF00](#)  
[FFB0424MN-F00](#) [FFB0424MN-R00](#) [FFB0424MN](#) [FFB0412SHN-A](#) [FFB0424HN-F00](#) [FFB0412HN](#) [FFB0412SHN-](#)  
[AR00](#) [FFB0412HHN-R00](#) [FFB0424HHN-F00](#) [FFB0424VHN-R00](#) [FFB0424HN](#) [FFB0412MN](#) [FFB0412HN-F00](#)  
[FFB0412HHN](#) [FFB0412HHN-F00](#) [FFB0412SHN-BF00](#) [FFB0424VHN](#) [FFB0412VHN-R00](#) [FFB0412SHN](#)  
[FFB0412VHN-TP03](#) [FFB0412SHN-F00](#) [FFB0412VHN-B](#) [FFB0424VHN-F00](#) [FFB0412MN-F00](#) [FFB0412VHN-BF00](#)  
[FFB0412SHN-R00](#) [FFB0412VHN-A](#) [FFB0412SHN-AF00](#) [FFB0424HHN](#) [FFB0412MN-R00](#) [FFB0412VHN-AR00](#)