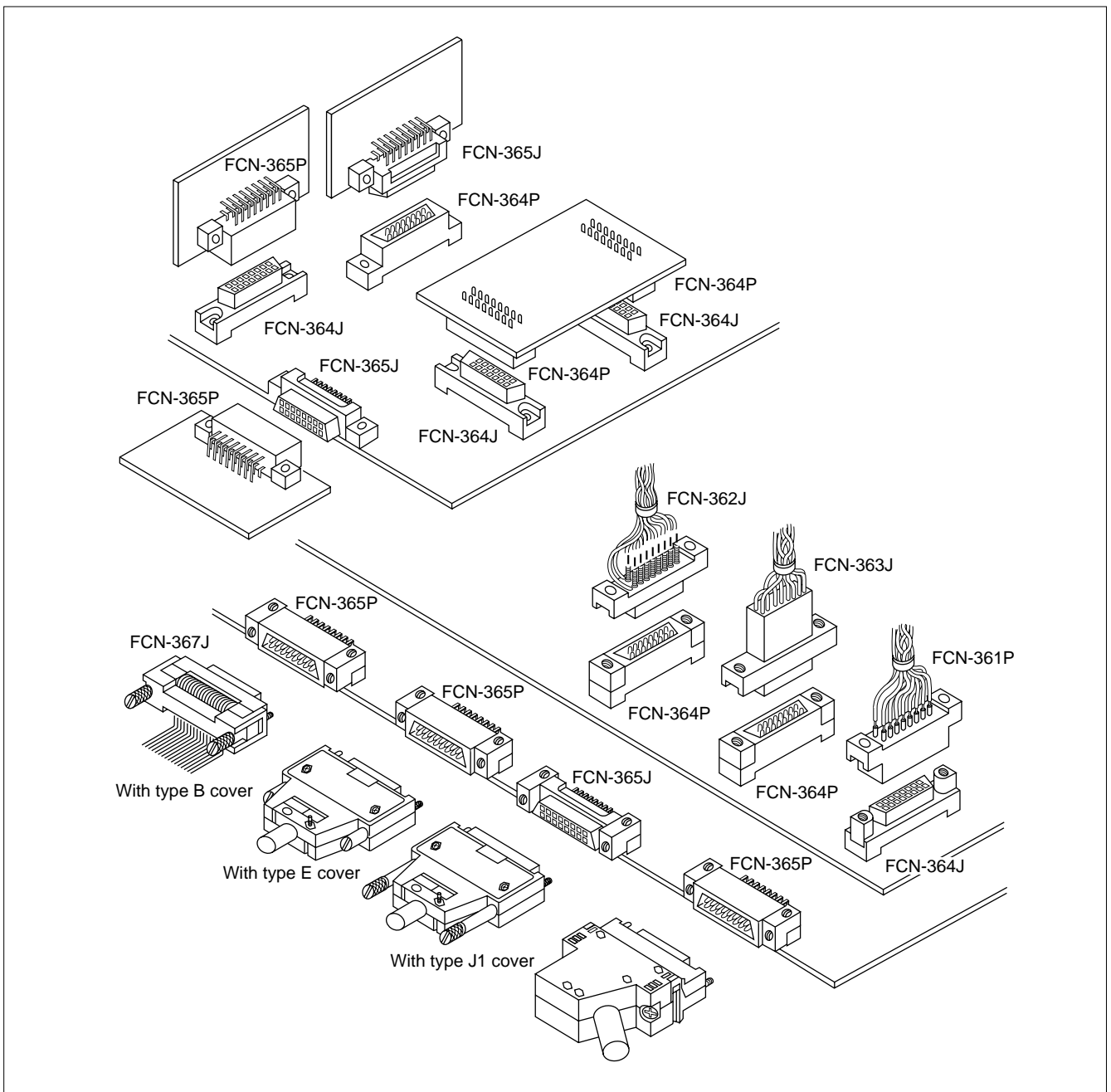





# RECTANGULAR CONNECTORS

## FCN360 Series

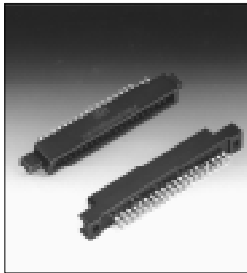


# Terms in Selection Table (Example)

Model		700 series		
Appearance				
Structure	Contact pitch	2.54 × 2.54		
	Number of contacts	10, 14, 16, 20, 26, 30, 34, 40, 50, 60		
	Pin type	Solder eyelet (tail shape)	—	
		Wire-wrapping (post cross section)	P	□ 0.64
		J	—	
		Crimping (applicable AWG No.)	—	
		Straight, throughhole (PC board hole dimensions)	φ 0.8, 2.54 × 2.54	
		Right-angle, throughhole (PC board hole dimensions)	P	φ 0.8, 2.54 × 2.54
		J	—	
	IDC (applicable AWG No.)	P	#28, Flat cable	
J	#28, Flat cable			
Plating	Gold	○		
	Silver	—		
	Tin	○		
Specification	Operating temperature range	-55°C to +105°C		
	Current rating	DC 1 A		
	Voltage rating	AC 250 V		
	Contact resistance	20 mΩ max. (DC 6 V, 0.1 A)		
	Insulation resistance (DC 500 V)	1,000MΩ min.		
	Dielectric withstanding voltage (for 1 minute)	AC 500 V		
	Insulation material cleaning with Chlorothene	Polyester cleaning possible		
	Part number (example)	FCN-705P050-AU/M FCN-707J050-AU/B		
Remarks	EMI protection cover provided			

- Contact pitch**  
 Denotes a pitch between adjacent contacts or pitch between rows.  
 2.54 mm (0.100 in.) (pitch between adjacent contacts) x 2.54 mm (0.100 in.) (pitch between rows)
- Number of contacts**  
 Denotes the numbers of contacts of available connectors.
- Connection type**  
 Denotes the connection type of the cable or PC board connection section.
- Plating**  
 Denotes the contact plating specification.
- Specifications**
  - Operating temperature range**  
 The connector can be used within the specified temperature range.
  - Current rating**  
 Maximum current that can flow through one connector pin
  - Voltage rating**  
 Maximum voltage that can be applied to a connector
  - Contact resistance**  
 Resistance observed at the contact part when 0.3 A (or 0.1 A) flows at 6 VDC with the connectors mated
  - Insulation resistance**  
 Resistance to the leakage current flowing through the insulator (inside or surface of the insulator) when 500 VDC is applied across adjacent pins of a connector
  - Dielectric withstanding voltage**  
 Applying the indicated voltage across adjacent pins of a connector for one minute does not cause any abnormality (damage or cracks in insulator).
  - Insulating material, cleaning with chlorothene**  
 Denotes the insulating material used, and indicates whether the insulating material can be cleaned with chlorothene.
- Part number**  
 Some part numbers are indicated as examples.

## Rectangular Connectors

Model	360 series		
Appearance			
Structure	Contact pitch	2.54 × 2.54	
	Number of contacts	8, 16, 24, 32, 40, 48, 56, 64	
	Pin type	Solder eyelet (tail shape)	P 1.8 × 0.7 J 1.8 × 0.7
		Wire-wrapping (post cross section)	Diagonal 0.71 mm (0.028 in.)
	Crimping (applicable AWG No.)	P	—
		J	AWG #22 to #28
		P	φ1, 2.54 × 2.54
		J	φ1, 2.54 × 2.54
		P	φ1, 2.54 × 2.54
		J	φ1, 2.54 × 2.54
	IDC (applicable AWG No.)	P	—
		J	#28, Flat cable
	Plating	Gold	○
		Silver	○
Tin		—	
Specification	Operating temperature range	-55°C to +85°C	
	Current rating	DC 3 A (IDC type: 1A)	
	Voltage rating	AC 250 V	
	Contact resistance	15 mΩ max. (DC 6 V, 0.3 A)	
	Insulation resistance (DC 500 V)	1,000 MΩ min.	
	Dielectric withstanding voltage (for 1 minute)	AC 500 V	
	Insulating material	Polyester PC (363J)	
Part number (example)	FCN-361P024-AU		
Remarks	Cable cover provided		

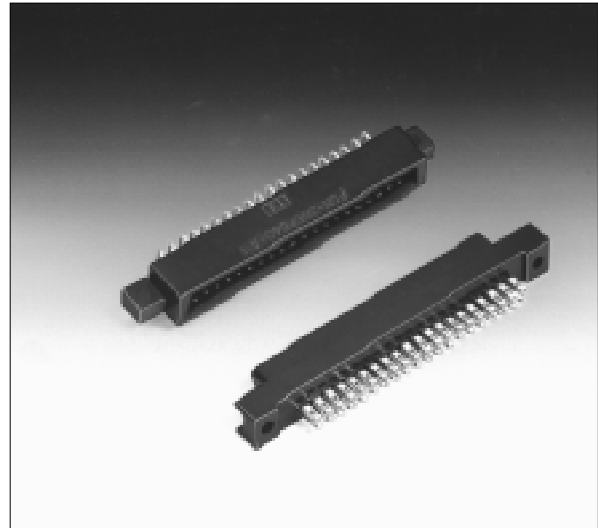
**NOTES**

# RECTANGULAR CONNECTORS

## FCN-360 SERIES

### ■ FEATURES

- Many applications  
Various connectors are available for connection by means of soldering, wire wrapping, crimping, PC board mounting, and insulation displacement connection (IDC). The user can choose a plug and jack combination that best meet each application.
- Small size for high-density mounting  
The connectors are small with a contact and terminal pitch of 2.54 mm (0.100 in.) between pins and between rows and are thus well suited for high-density mounting.
- Sturdy shell guide  
Sturdy shell guides are used to prevent mismatching and to protect the pins.
- Excellent cost performance  
Streamlined design and automated manufacturing, including use of partial solder plating, provide excellent cost performance.



### ■ SPECIFICATIONS

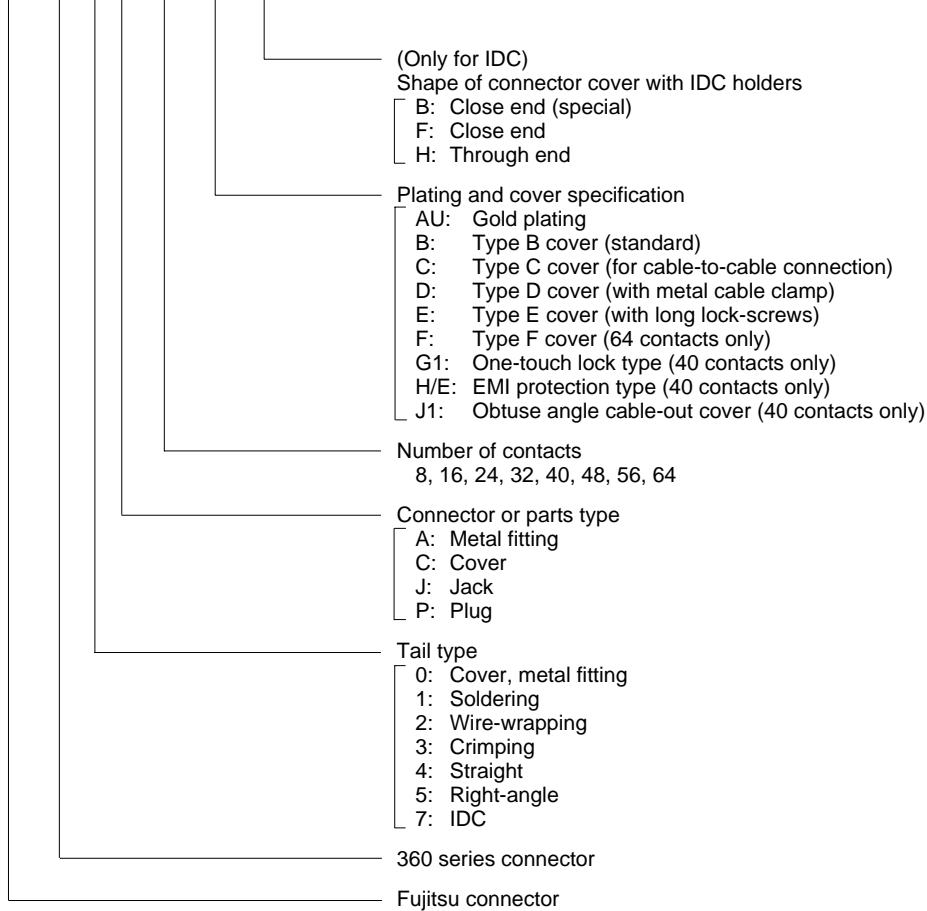
Item	Specification	
Operating temperature range	-55°C to +85°C	
Current Rating	DC 3 A (IDC type: 1 A)	
Voltage Rating	AC 250 V	
Contact resistance	15 mΩ max. (DC 6 V, 0.3 A)	
Insulation resistance	1000 MΩ min. (DC 500 V)	
Dielectric withstanding voltage	AC 500 V for 1 minute	
Insertion force	2.5 kg max. (8 contacts), 20 kg max. (64 contacts)	
Withdrawal force	0.3 kg min. (8 contacts), 2.3 kg min. (64 contacts)	
Applicable wire	Soldering	φ0.60 mm (0.024 in.) max, AWG #23 or less
	Wire-wrapping	φ0.32 mm (0.013 in.) to φ0.26 mm (0.010 in.), AWG #28 to #30
	Crimping	Standard contacts φ0.51 mm (0.020 in.) to φ0.32 mm (0.013 in.), AWG #24 to #28, insulator φ1.2 mm (0.047 in.) max. Contacts for thick wires φ0.64 mm (0.025 in.) to φ0.32 mm (0.013 in.), AWG #22 to #28, insulator φ1.7 (0.067 in.) max.
	IDC	Flat cable 1.27 mm (0.050 in.) pitch, AWG #28 (stranded wire), AWG #30 (solid wire)
Applicable PC board	1.6 mm (0.063 in.) standard thick	

### ■ MATERIALS

Item	Material
Insulator	Polyester (363J: PC94V-2)
Conductor	Copper alloy
Plating	Gold plating, silver plating

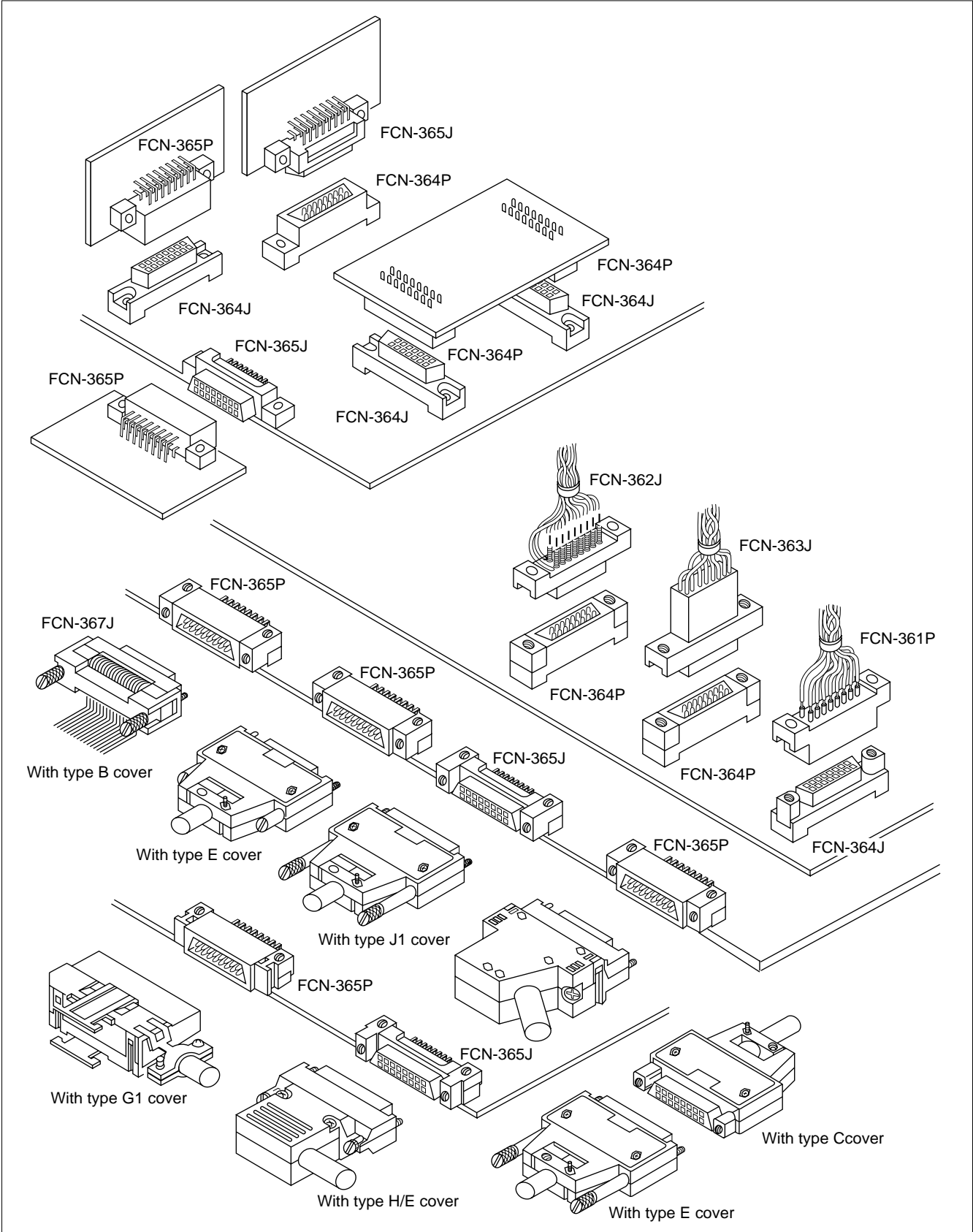
## ■ PART NUMBER

FCN-36 7 J 048-AU / H



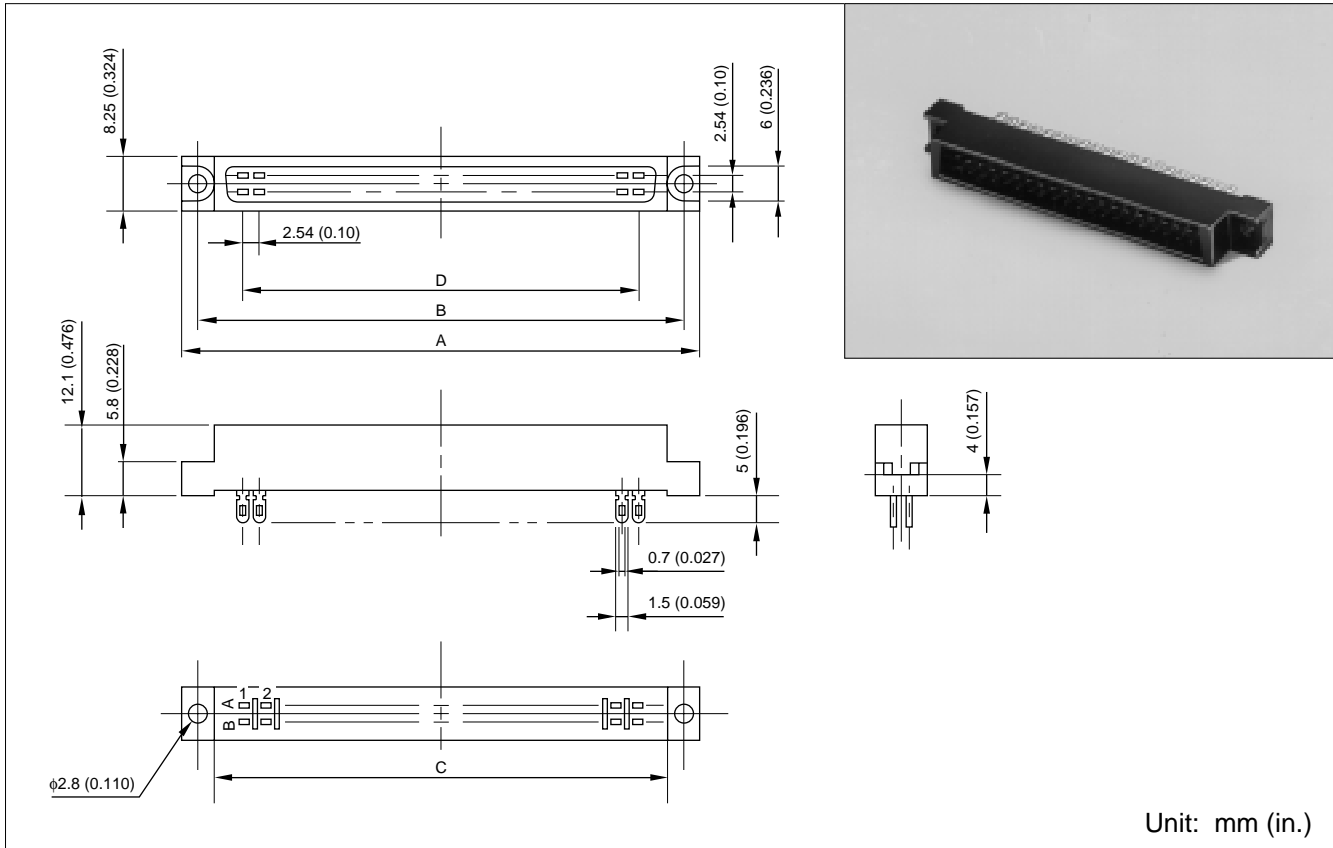
# FCN-360 Series

## APPLICATION EXAMPLE

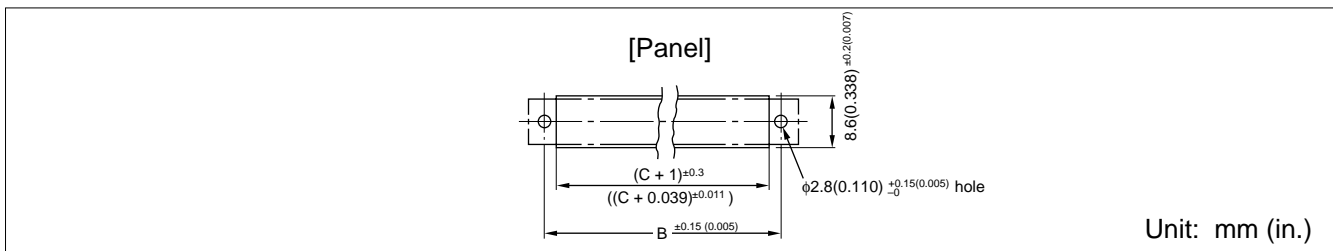


## SOLDERING TYPE (PLUG)

### ■ DIMENSIONS



### ■ MOUNTING HOLE LAYOUT



### ■ PART NUMBERS AND DIMENSIONS

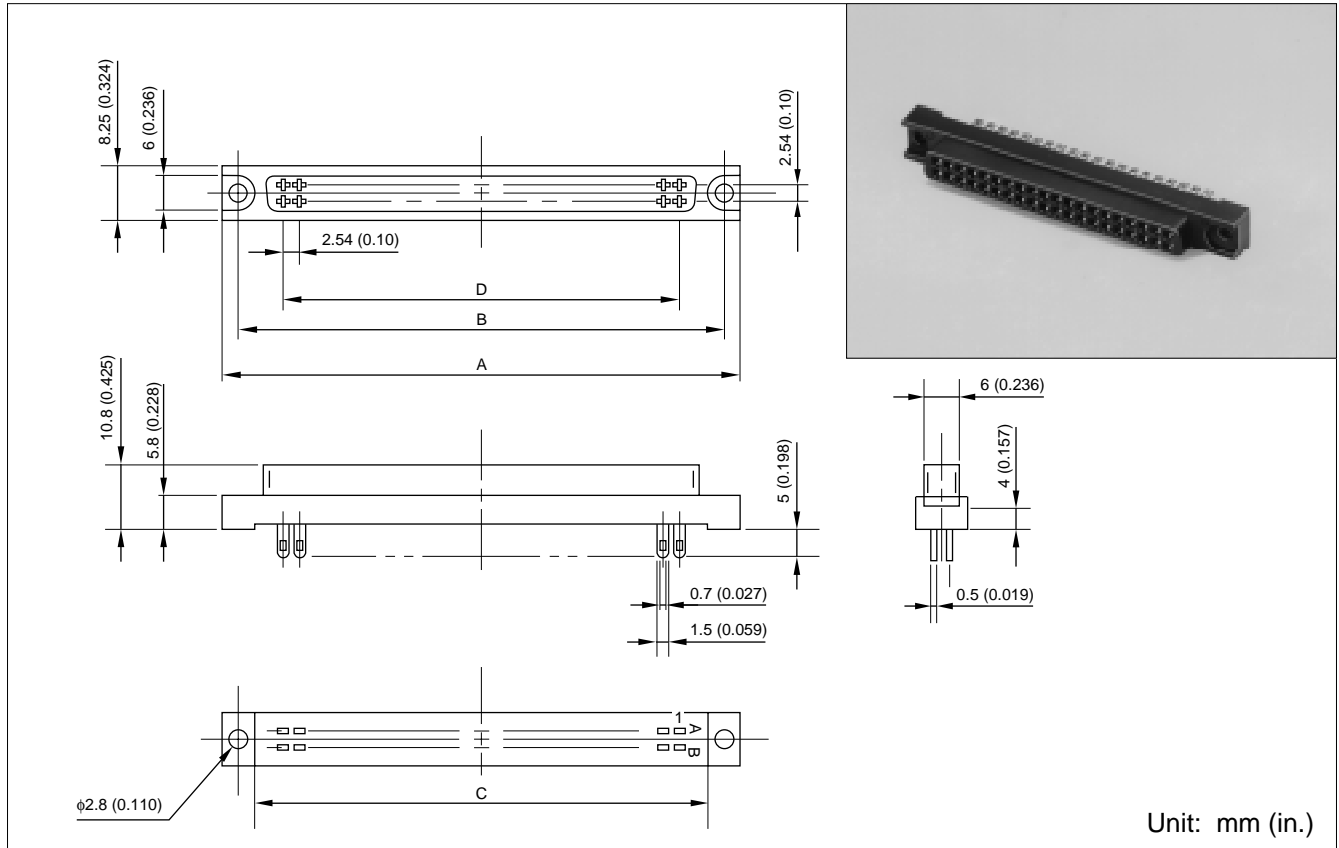
Number of contacts	Part number	Dimensions: mm (in.)			
		A	B	C	D
8	FCN-361P008-AU	28.84 (1.135)	23.34 (0.918)	17.84 (0.702)	7.62 (0.3)
16	FCN-361P016-AU	39.0 (1.535)	33.5 (1.318)	28.0 (1.102)	17.78 (0.7)
24	FCN-361P024-AU	49.16 (1.935)	43.66 (1.718)	38.16 (1.502)	27.94 (1.1)
32	FCN-361P032-AU	59.32 (2.335)	53.82 (2.118)	48.32 (1.902)	38.1 (1.5)
40	FCN-361P040-AU	69.48 (2.735)	63.98 (2.518)	58.48 (2.302)	48.26 (1.9)
48	FCN-361P048-AU	79.64 (3.135)	74.14 (2.918)	68.64 (2.702)	58.42 (2.3)
56	FCN-361P056-AU	89.8 (3.535)	84.3 (3.318)	78.8 (3.102)	68.58 (2.7)
64	FCN-361P064-AU	99.96 (3.935)	94.46 (3.718)	88.96 (3.502)	78.74 (3.1)



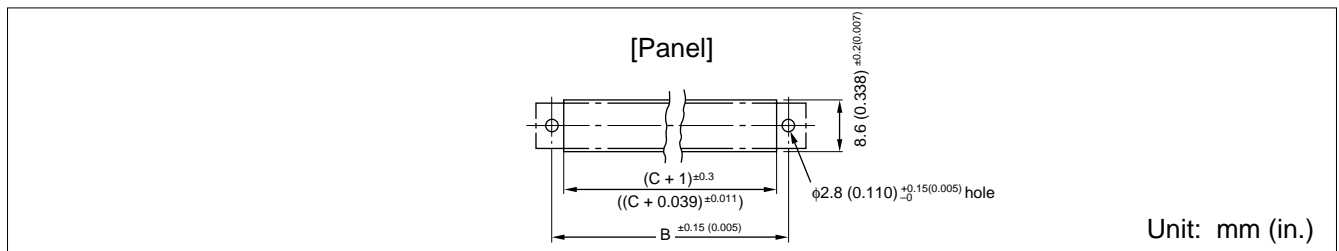
# FCN-360 Series

## SOLDERING TYPE (JACK)

### ■ DIMENSIONS



### ■ BOARD MOUNTING HOLE LAYOUT



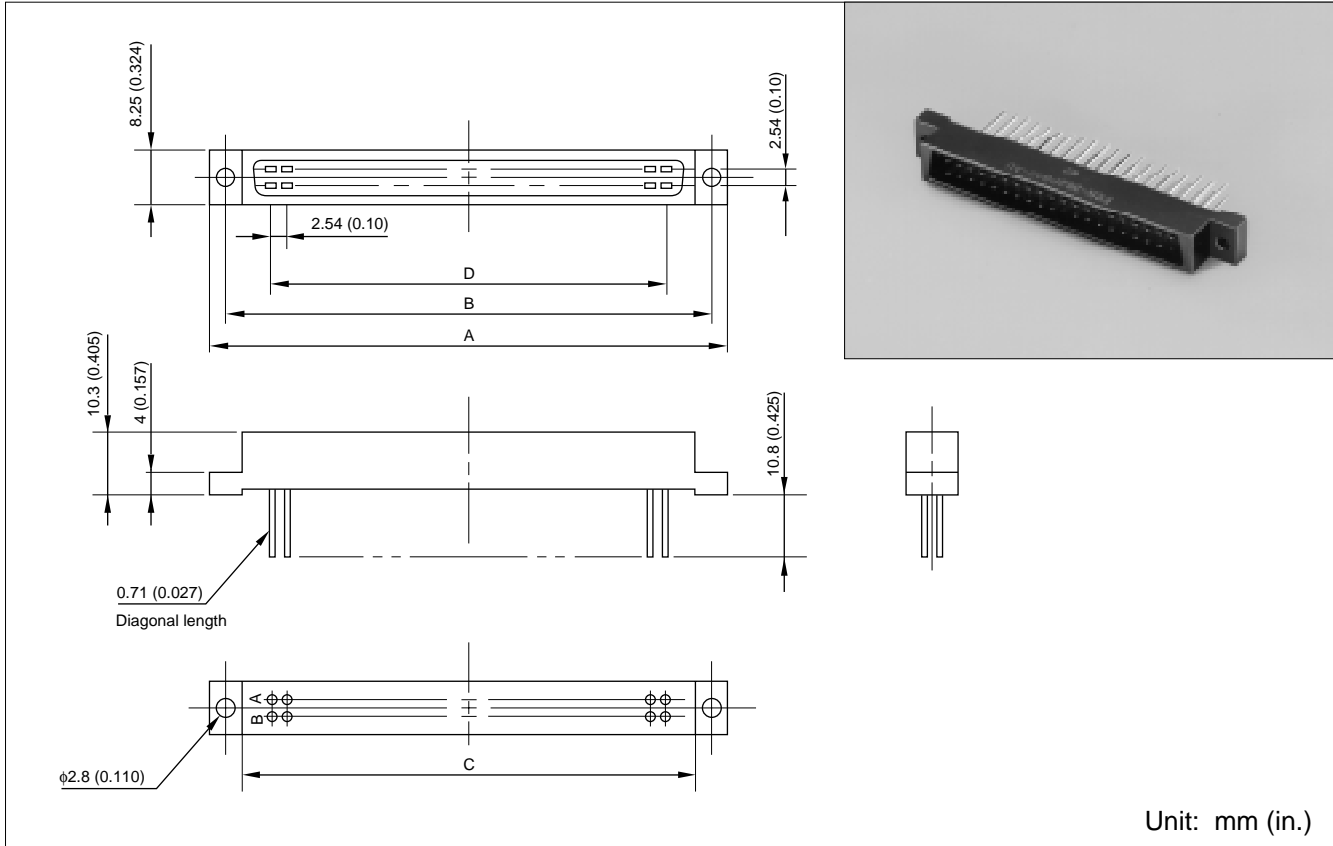
### ■ PART NUMBERS AND DIMENSIONS

Number of contacts	Part number	Dimensions: mm (in.)			
		A	B	C	D
8	FCN-361J008-AU	28.84 (1.135)	23.34 (0.918)	17.84 (0.702)	7.62 (0.3)
16	FCN-361J016-AU	39.0 (1.535)	33.5 (1.318)	28.0 (1.102)	17.78 (0.7)
24	FCN-361J024-AU	49.16 (1.935)	43.66 (1.718)	38.16 (1.502)	27.94 (1.1)
32	FCN-361J032-AU	59.32 (2.335)	53.82 (2.118)	48.32 (1.902)	38.1 (1.5)
40	FCN-361J040-AU	69.48 (2.735)	63.98 (2.518)	58.48 (2.302)	48.26 (1.9)
48	FCN-361J048-AU	79.64 (3.135)	74.14 (2.918)	68.64 (2.702)	58.42 (2.3)
56	FCN-361J056-AU	89.8 (3.535)	84.3 (3.318)	78.8 (3.102)	68.58 (2.7)
64	FCN-361J064-AU	99.96 (3.935)	94.46 (3.718)	88.96 (3.502)	78.74 (3.1)

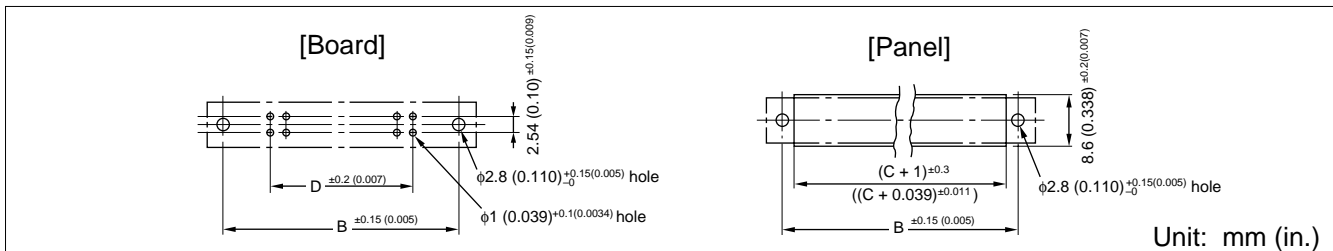
# FCN-360 Series

## WIRE-WRAP TYPE (PLUG)

### ■ DIMENSIONS



### ■ MOUNTING HOLE LAYOUT



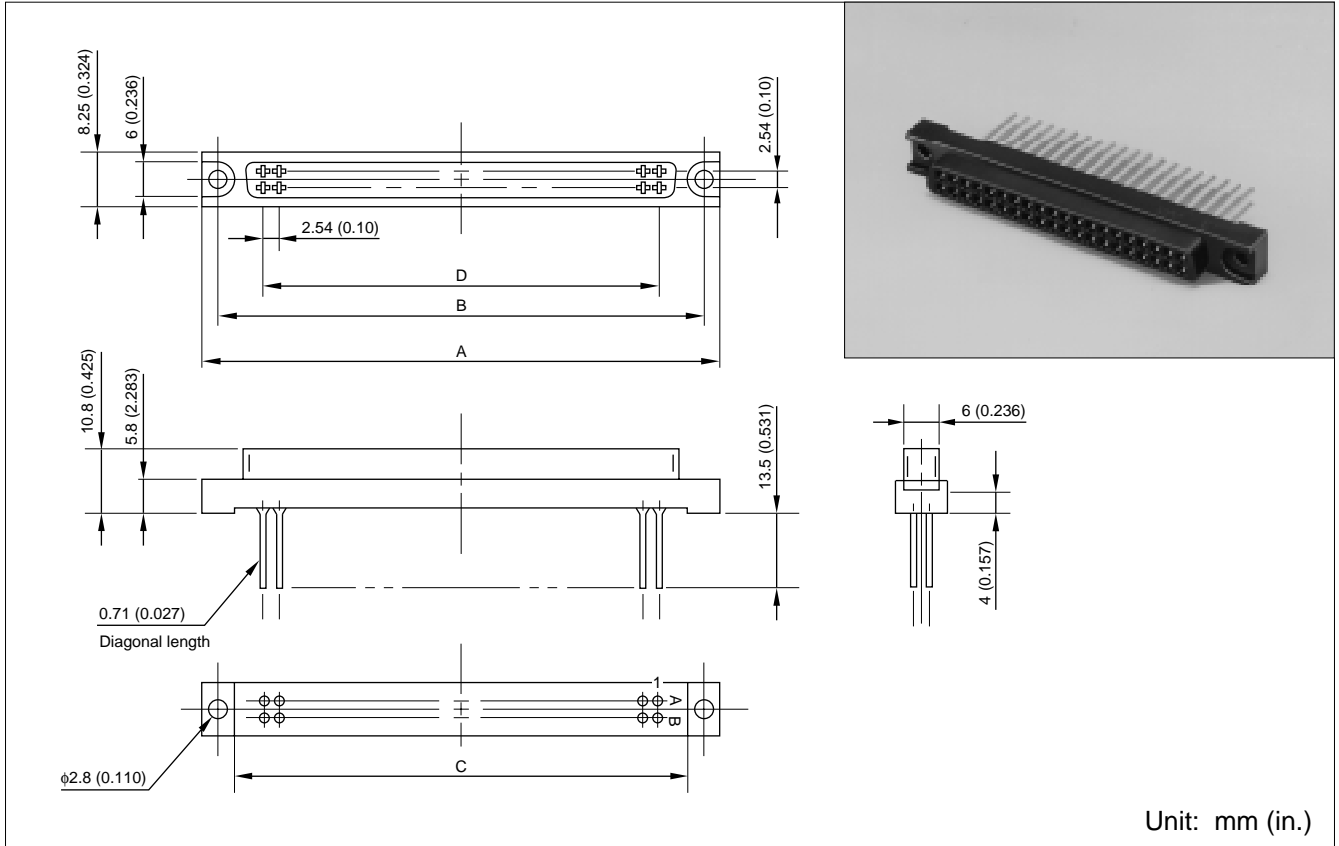
### ■ PART NUMBERS AND DIMENSIONS

Number of contacts	Part number	Dimensions: mm (in.)			
		A	B	C	D
8	FCN-362P008-AU	28.84 (1.135)	23.34 (0.918)	17.84 (0.702)	7.62 (0.3)
16	FCN-362P016-AU	39.0 (1.535)	33.5 (1.318)	28.0 (1.102)	17.78 (0.7)
24	FCN-362P024-AU	49.16 (1.935)	43.66 (1.718)	38.16 (1.502)	27.94 (1.1)
32	FCN-362P032-AU	59.32 (2.335)	53.82 (2.118)	48.32 (1.902)	38.1 (1.5)
40	FCN-362P040-AU	69.48 (2.735)	63.98 (2.518)	58.48 (2.302)	48.26 (1.9)
48	FCN-362P048-AU	79.64 (3.135)	74.14 (2.918)	68.64 (2.702)	58.42 (2.3)
56	FCN-362P056-AU	89.8 (3.535)	84.3 (3.318)	78.8 (3.102)	68.58 (2.7)
64	FCN-362P064-AU	99.96 (3.935)	94.46 (3.718)	88.96 (3.502)	78.74 (3.1)

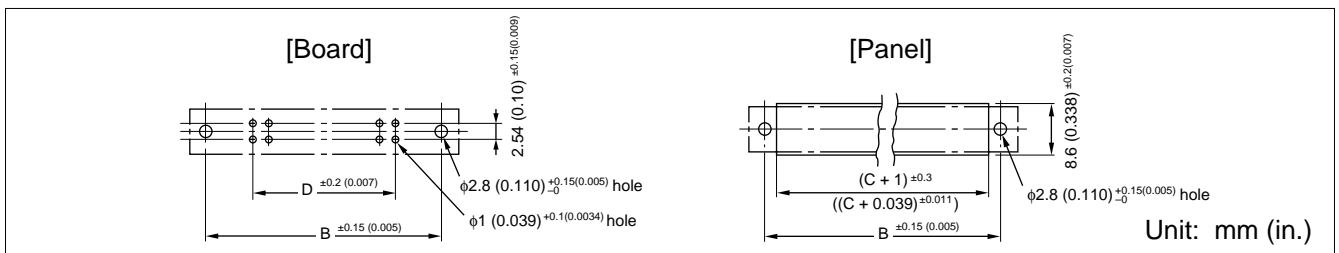
# FCN-360 Series

## WIRE-WRAP TYPE (JACK)

### ■ DIMENSIONS



### ■ MOUNTING HOLE LAYOUT



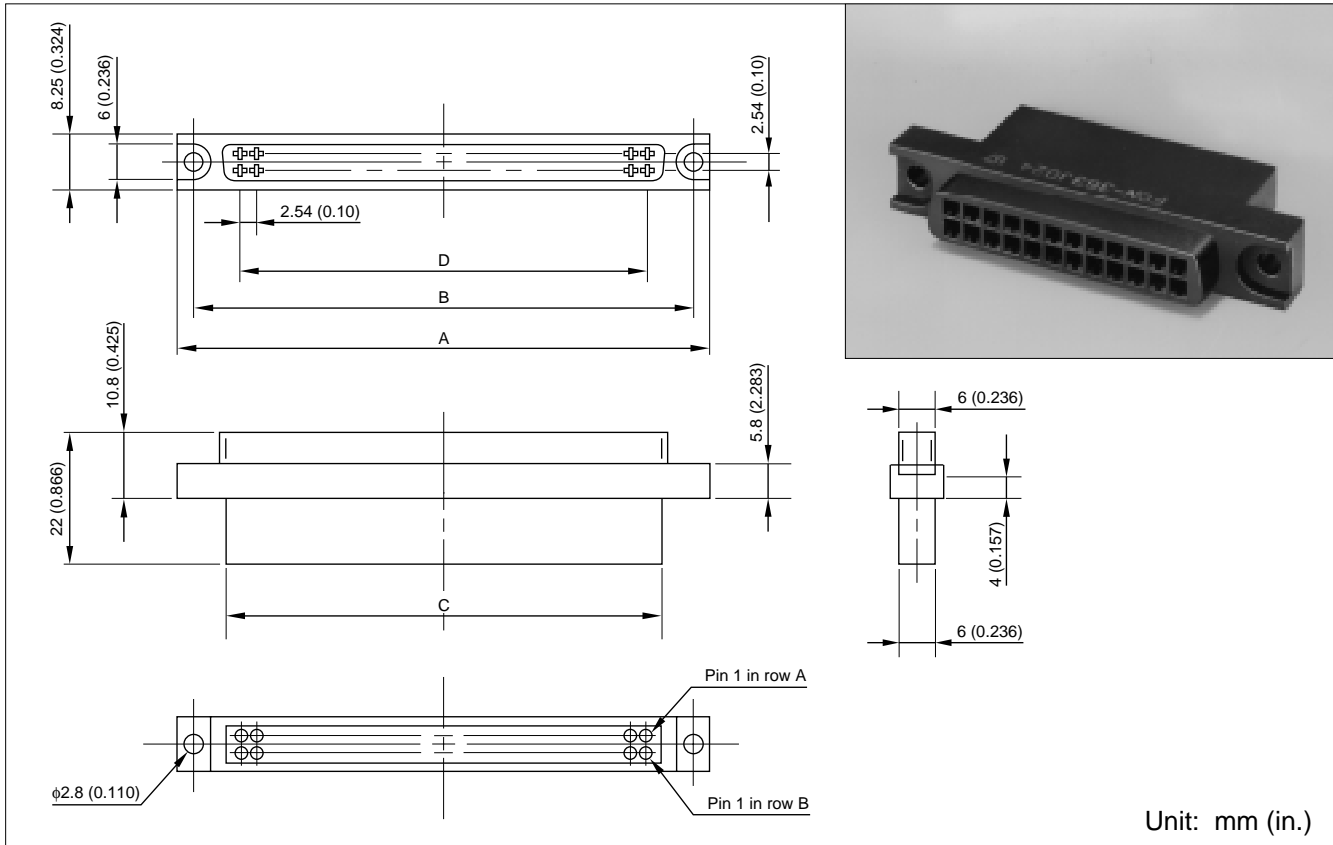
### ■ PART NUMBERS AND DIMENSIONS

Number of contacts	Part number	Dimensions: mm (in.)			
		A	B	C	D
8	FCN-362J008-AU	28.84 (1.135)	23.34 (0.918)	17.84 (0.702)	7.62 (0.3)
16	FCN-362J016-AU	39.0 (1.535)	33.5 (1.318)	28.0 (1.102)	17.78 (0.7)
24	FCN-362J024-AU	49.16 (1.935)	43.66 (1.718)	38.16 (1.502)	27.94 (1.1)
32	FCN-362J032-AU	59.32 (2.335)	53.82 (2.118)	48.32 (1.902)	38.1 (1.5)
40	FCN-362J040-AU	69.48 (2.735)	63.98 (2.518)	58.48 (2.302)	48.26 (1.9)
48	FCN-362J048-AU	79.64 (3.135)	74.14 (2.918)	68.64 (2.702)	58.42 (2.3)
56	FCN-362J056-AU	89.8 (3.535)	84.3 (3.318)	78.8 (3.102)	68.58 (2.7)
64	FCN-362J064-AU	99.96 (3.935)	94.46 (3.718)	88.96 (3.502)	78.74 (3.1)

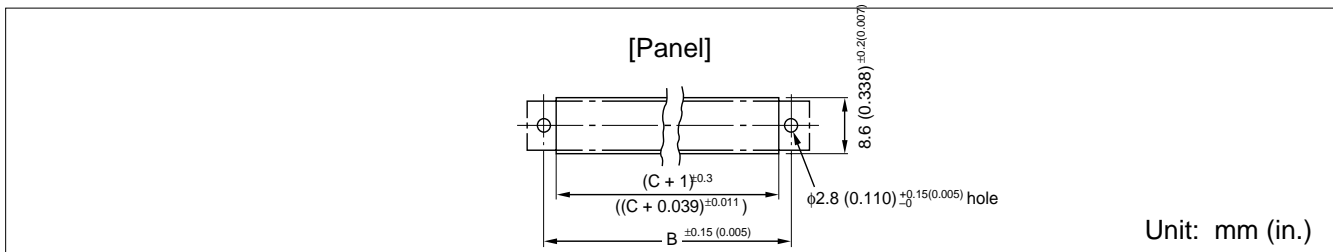
# FCN-360 Series

## CRIMP TYPE (JACK HOUSING)

### ■ DIMENSIONS



### ■ MOUNTING HOLE LAYOUT



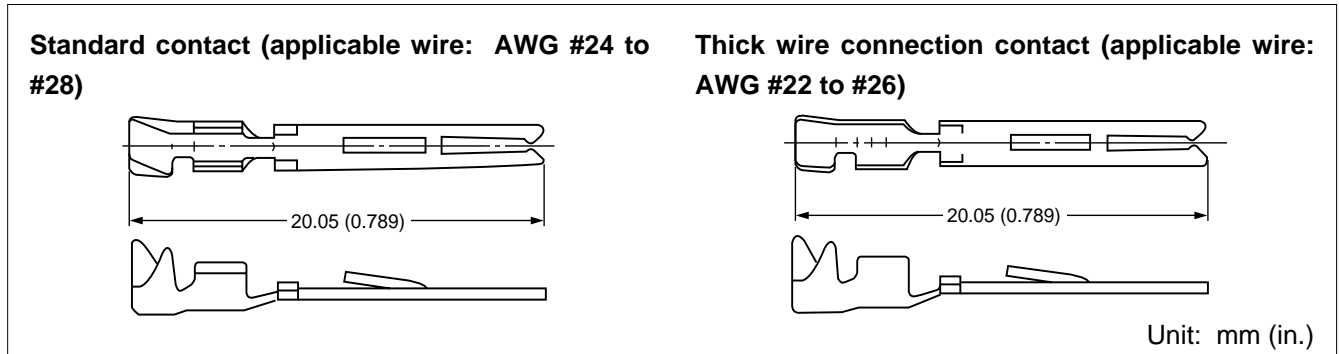
### ■ PART NUMBERS AND DIMENSIONS

Number of contacts	Part number	Dimensions: mm (in.)			
		A	B	C	D
8	FCN-363J008	28.84 (1.135)	23.34 (0.918)	17.84 (0.702)	7.62 (0.3)
16	FCN-363J016	39.0 (1.535)	33.5 (1.318)	28.0 (1.102)	17.78 (0.7)
24	FCN-363J024	49.16 (1.935)	43.66 (1.718)	38.16 (1.502)	27.94 (1.1)
32	FCN-363J032	59.32 (2.335)	53.82 (2.118)	48.32 (1.902)	38.1 (1.5)
40	FCN-363J040	69.48 (2.735)	63.98 (2.518)	58.48 (2.302)	48.26 (1.9)
48	FCN-363J048	79.64 (3.135)	74.14 (2.918)	68.64 (2.702)	58.42 (2.3)
56	FCN-363J056	89.8 (3.535)	84.3 (3.318)	78.8 (3.102)	68.58 (2.7)
64	FCN-363J064	99.96 (3.935)	94.46 (3.718)	88.96 (3.502)	78.74 (3.1)

# FCN-360 Series

## CRIMP TYPE (CONTACT)

### ■ DIMENSIONS



### ■ PART NUMBERS

Type	Plating	Standard	Thick wire connection contact
Loose piece	Gold plating	FCN-363J-AU	FCN-363J-AU/S
Strip reeled	Gold plating	FCN-363J-AU/R	FCN-363J-AU/T

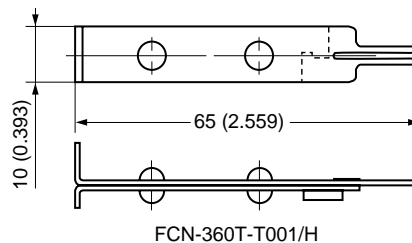
### ■ PART NUMBERS OF CRIMPING TOOLS

Part number	Contact type	Applicable wire	Wire cross-section area (mm <sup>2</sup> )	Crimp height	Insulator diameter	Stripped length
FCN-363T-T005/H (Hand crimping tool)	FCN-363J-AU (Loose piece)	AWG #24	0.20 to 0.24	1.25 mm (0.049 in.) to 1.30 mm (0.051 in.)	φ1.2 mm (0.047 in.) max	3.0 mm (0.118 in.) to 4.0 mm (0.157 in.)
	FCN-363J-AU/R (Strip reeled)	AWG #26	0.13 to 0.16	1.20 mm (0.047 in.) to 1.25 mm (0.049 in.)	φ1.2 mm (0.047 in.) max	3.0 mm (0.118 in.) to 4.0 mm (0.157 in.)
		AWG #28	0.088 to 0.096	1.15 mm (0.045 in.) to 1.20 mm (0.047 in.)	φ1.2 mm (0.047 in.) max	3.0 mm (0.118 in.) to 4.0 mm (0.157 in.)
FCN-363T-T011/H (Hand crimping tool)	FCN-363J-AU/S (Loose piece)	AWG #22	0.30 to 0.40	0.85 mm (0.033 in.) to 0.95 mm (0.037 in.)	φ0.9 mm (0.035 in.) 1.8 mm (0.071 in.)	3.0 mm (0.118 in.) to 4.0 mm (0.157 in.)
	FCN-363J-AU/T (Strip reeled)	AWG #24	0.20 to 0.24	0.75 mm (0.029 in.) to 0.85 mm (0.033 in.)	φ0.9 mm (0.035 in.) 1.8 mm (0.071 in.)	3.0 mm (0.118 in.) to 4.0 mm (0.157 in.)
		AWG #26	0.13 to 0.16	0.73 mm (0.028 in.) to 0.81 mm (0.031 in.)	φ0.9 mm (0.035 in.) 1.8 mm (0.071 in.)	3.0 mm (0.118 in.) to 4.0 mm (0.157 in.)

[Hand crimping tool]

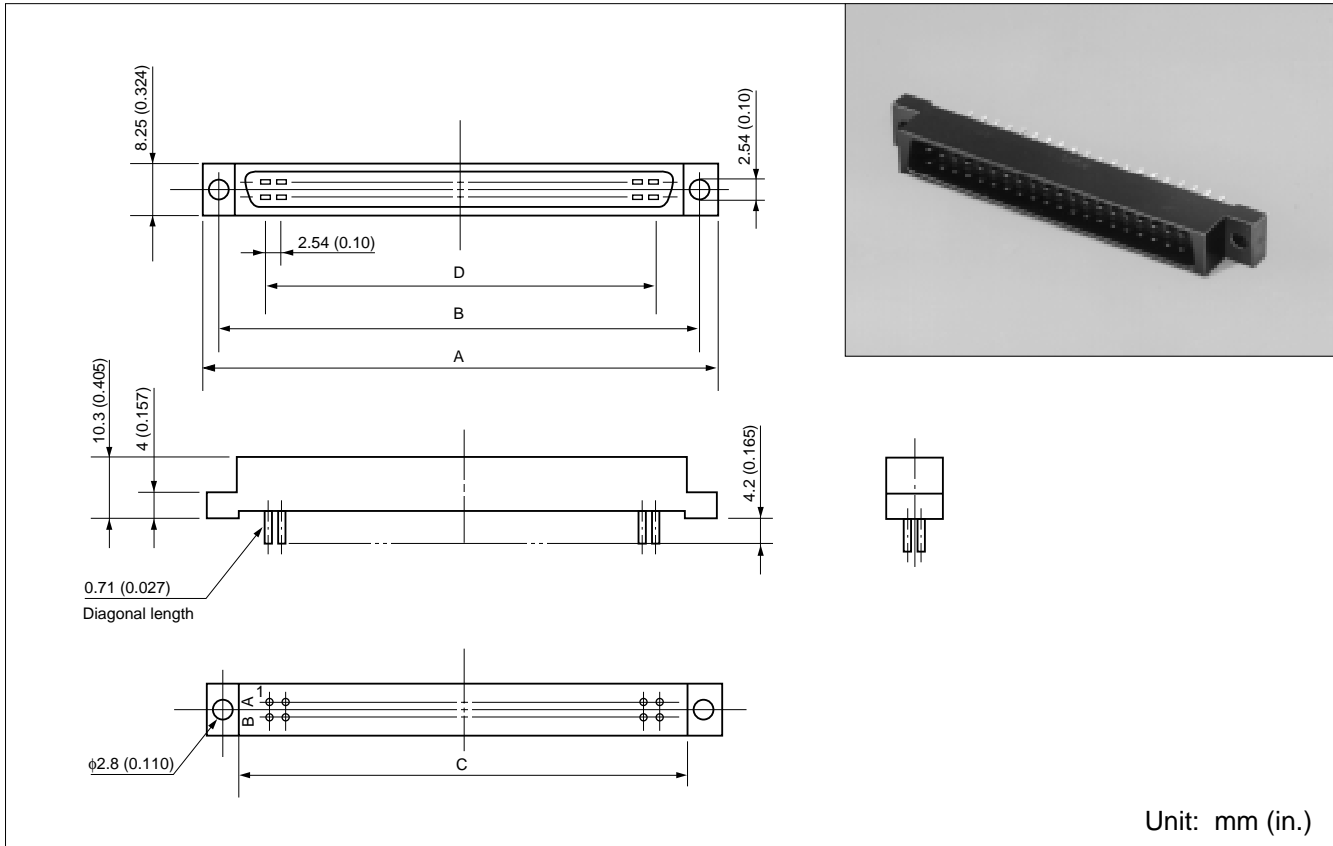


[Contact withdrawal tool]

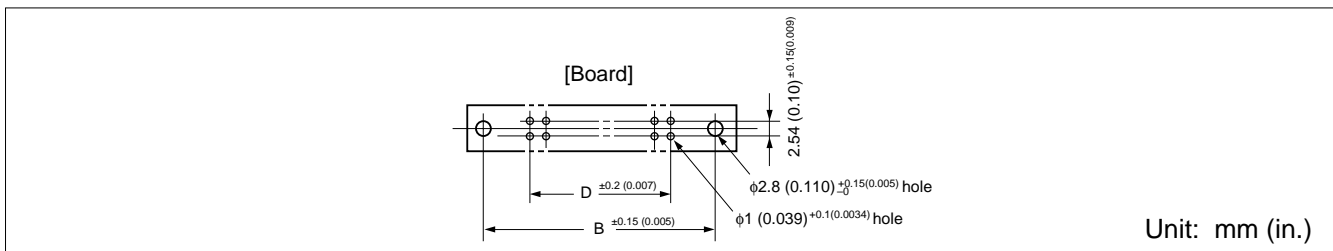


## STRAIGHT TYPE (PLUG)

### ■ DIMENSIONS



### ■ BOARD MOUNTING HOLE LAYOUT



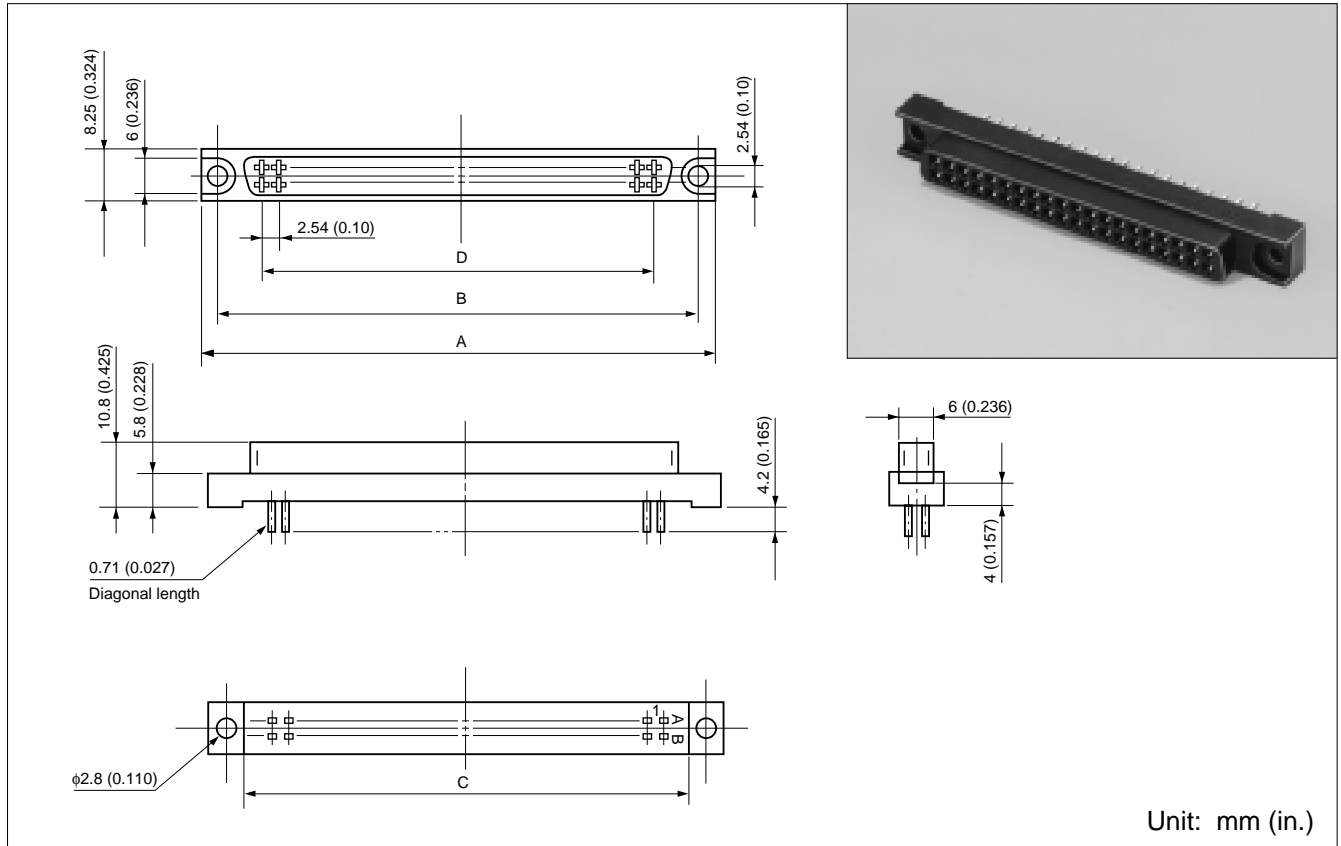
### ■ PART NUMBERS AND DIMENSIONS

Number of contacts	Part number	Dimensions: mm (in.)			
		A	B	C	D
8	FCN-364P008-AU	28.84 (1.135)	23.34 (0.918)	17.84 (0.702)	7.62 (0.3)
16	FCN-364P016-AU	39.0 (1.535)	33.5 (1.318)	28.0 (1.102)	17.78 (0.7)
24	FCN-364P024-AU	49.16 (1.935)	43.66 (1.718)	38.16 (1.502)	27.94 (1.1)
32	FCN-364P032-AU	59.32 (2.335)	53.82 (2.118)	48.32 (1.902)	38.1 (1.5)
40	FCN-364P040-AU	69.48 (2.735)	63.98 (2.518)	58.48 (2.302)	48.26 (1.9)
48	FCN-364P048-AU	79.64 (3.135)	74.14 (2.918)	68.64 (2.702)	58.42 (2.3)
56	FCN-364P056-AU	89.8 (3.535)	84.3 (3.318)	78.8 (3.102)	68.58 (2.7)
64	FCN-364P064-AU	99.96 (3.935)	94.46 (3.718)	88.96 (3.502)	78.74 (3.1)

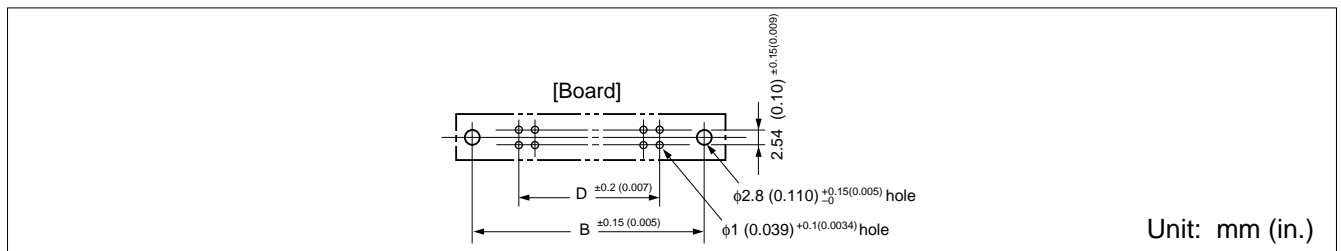
# FCN-360 Series

## STRAIGHT TYPE (JACK)

### ■ DIMENSIONS



### ■ BOARD MOUNTING HOLE LAYOUT

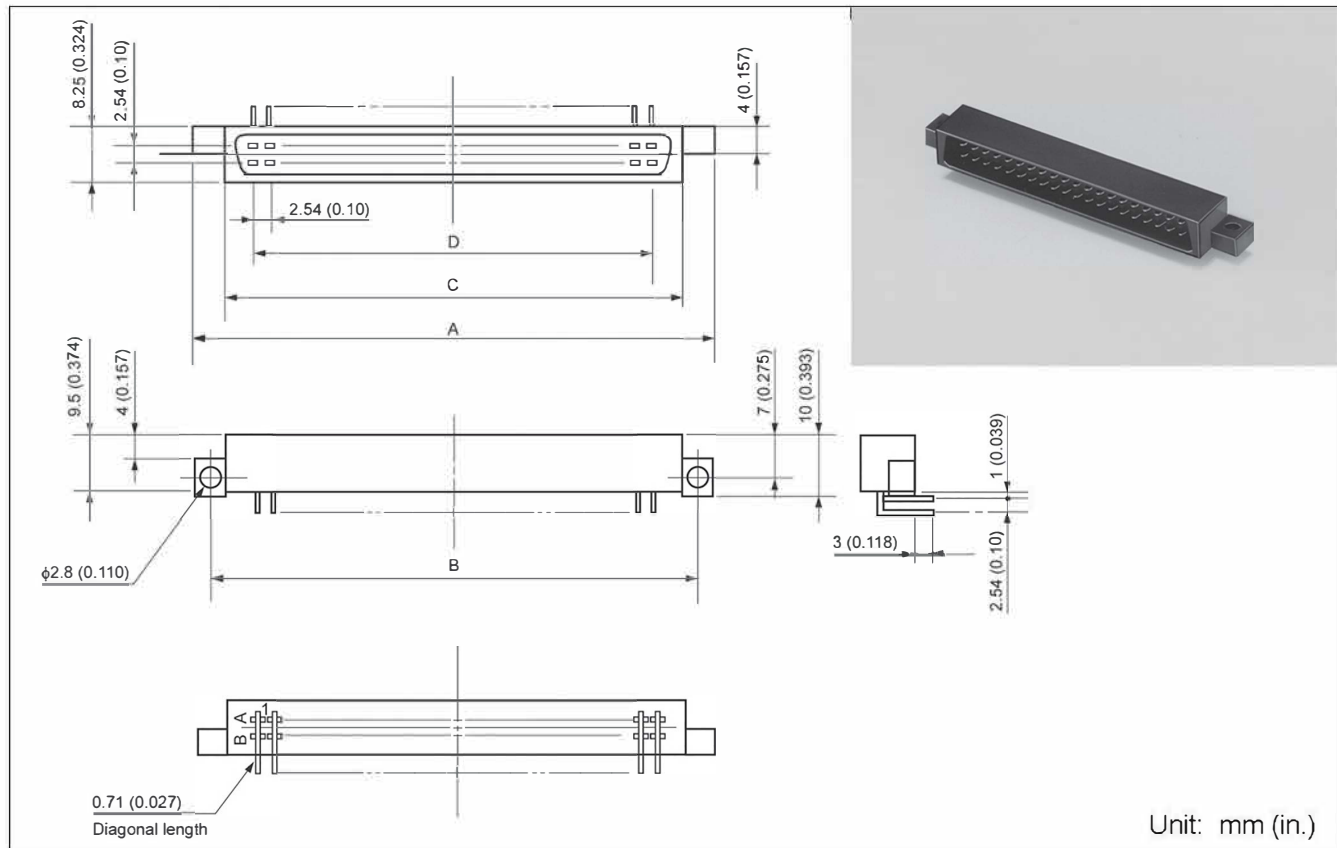


### ■ PART NUMBERS AND DIMENSIONS

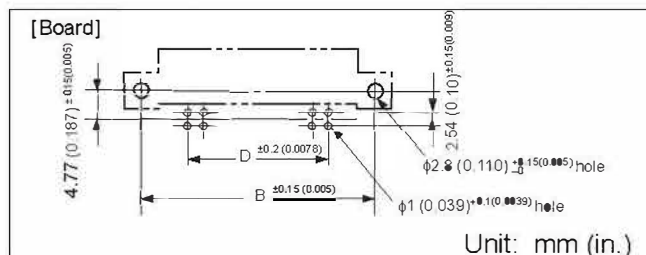
Number of contacts	Part number	Dimensions: mm (in.)			
		A	B	C	D
8	FCN-364J008-AU	28.84 (1.135)	23.34 (0.918)	17.84 (0.702)	7.62 (0.3)
16	FCN-364J016-AU	39.0 (1.535)	33.5 (1.318)	28.0 (1.102)	17.78 (0.7)
24	FCN-364J024-AU	49.16 (1.935)	43.66 (1.718)	38.16 (1.502)	27.94 (1.1)
32	FCN-364J032-AU	59.32 (2.335)	53.82 (2.118)	48.32 (1.902)	38.1 (1.5)
40	FCN-364J040-AU	69.48 (2.735)	63.98 (2.518)	58.48 (2.302)	48.26 (1.9)
48	FCN-364J048-AU	79.64 (3.135)	74.14 (2.918)	68.64 (2.702)	58.42 (2.3)
56	FCN-364J056-AU	89.8 (3.535)	84.3 (3.318)	78.8 (3.102)	68.58 (2.7)
64	FCN-364J064-AU	99.96 (3.935)	94.46 (3.718)	88.96 (3.502)	78.74 (3.1)

## RIGHT-ANGLE TYPE (PLUG)

### ■ DIMENSIONS

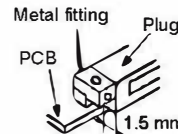


### ■ MOUNTING HOLE LAYOUT



### ■ NOTE

- **Note on mounting a right-angle plug on a board**



Mount the connector so that it projects from the board by at least 1.5 mm (0.059 in.).

### ■ PART NUMBERS AND DIMENSIONS

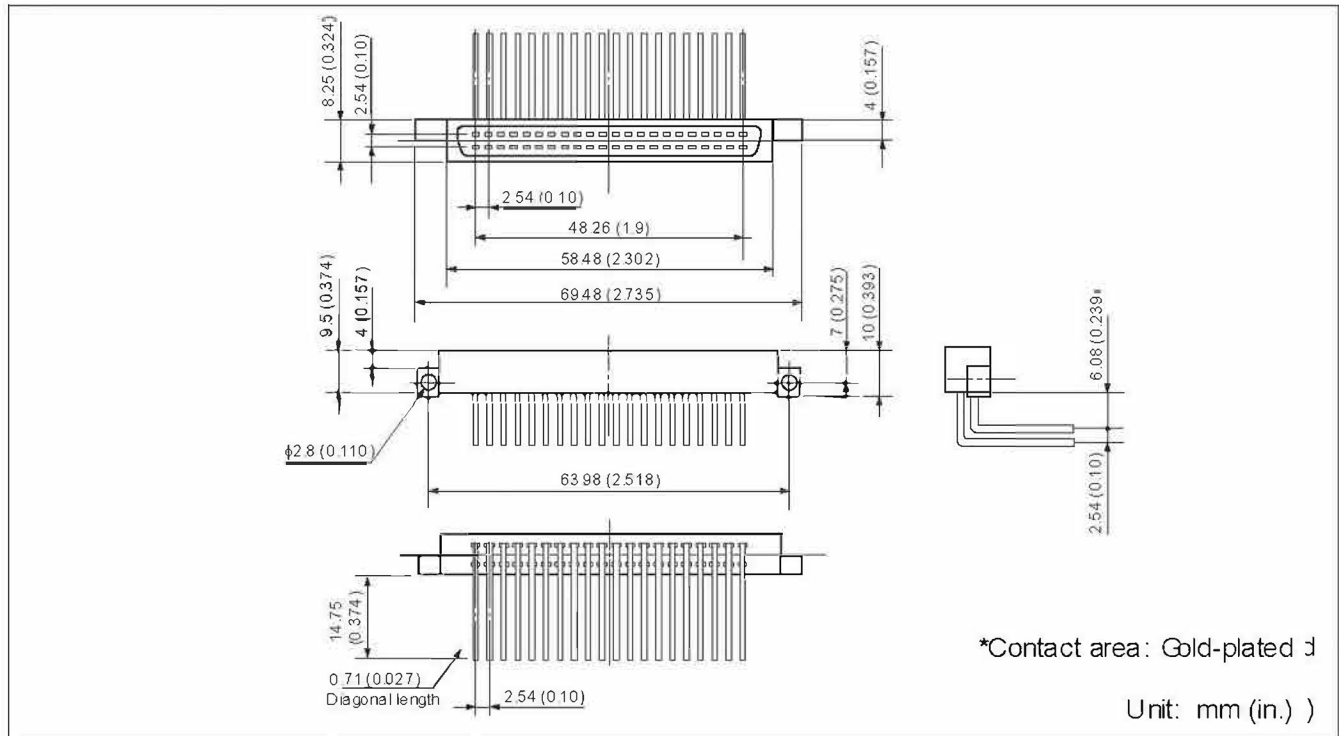
Number of contacts	Part number	Dimensions: mm (in.)			
		A	B	C	D
8	FCN-365P008-AU	28.84 (1.135)	23.34 (0.918)	17.84 (0.702)	7.62 (0.3)
16	FCN-365P016-AU	39.0 (1.535)	33.5 (1.318)	28.0 (1.102)	17.78 (0.7)
24	FCN-365P024-AU	49.16 (1.935)	43.66 (1.718)	38.16 (1.502)	27.94 (1.1)
32	FCN-365P032-AU	59.32 (2.335)	53.82 (2.118)	48.32 (1.902)	38.1 (1.5)
40	FCN-365P040-AU	69.48 (2.735)	63.98 (2.518)	58.48 (2.302)	48.26 (1.9)
48	FCN-365P048-AU	79.64 (3.135)	74.14 (2.918)	68.64 (2.702)	58.42 (2.3)
56	FCN-365P056-AU	89.8 (3.535)	84.3 (3.318)	78.8 (3.102)	68.58 (2.7)
64	FCN-365P064-AU	99.96 (3.935)	94.46 (3.718)	88.96 (3.502)	78.74 (3.1)



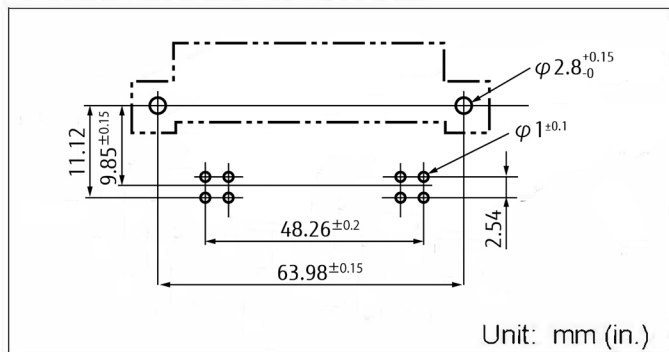
# FCN-360 Series

## RIGHT-ANGLE TYPE (FOR DUAL STACKED MOUNTING [40 CONTACTS ONLY])

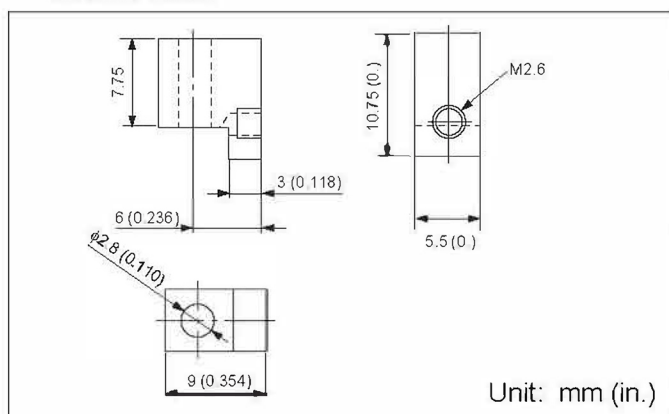
### ■ DIMENSIONS



### ■ MOUNTING HOLE LAYOUT



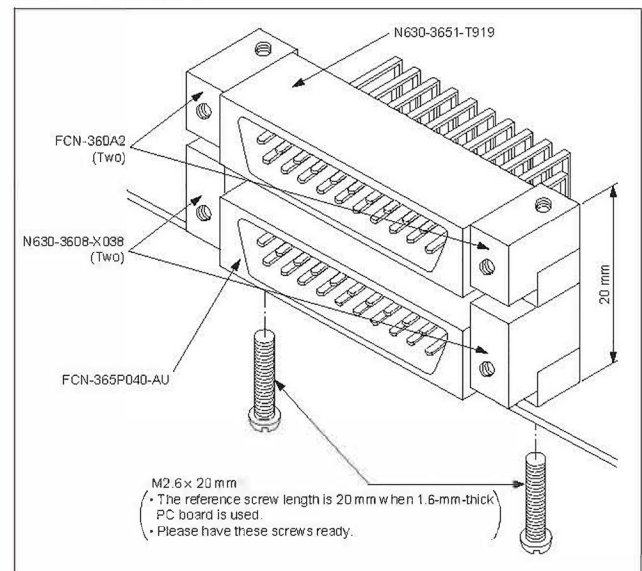
### ■ METAL FITTINGS FOR DUAL ROW MOUNTING



### ■ PART NUMBER

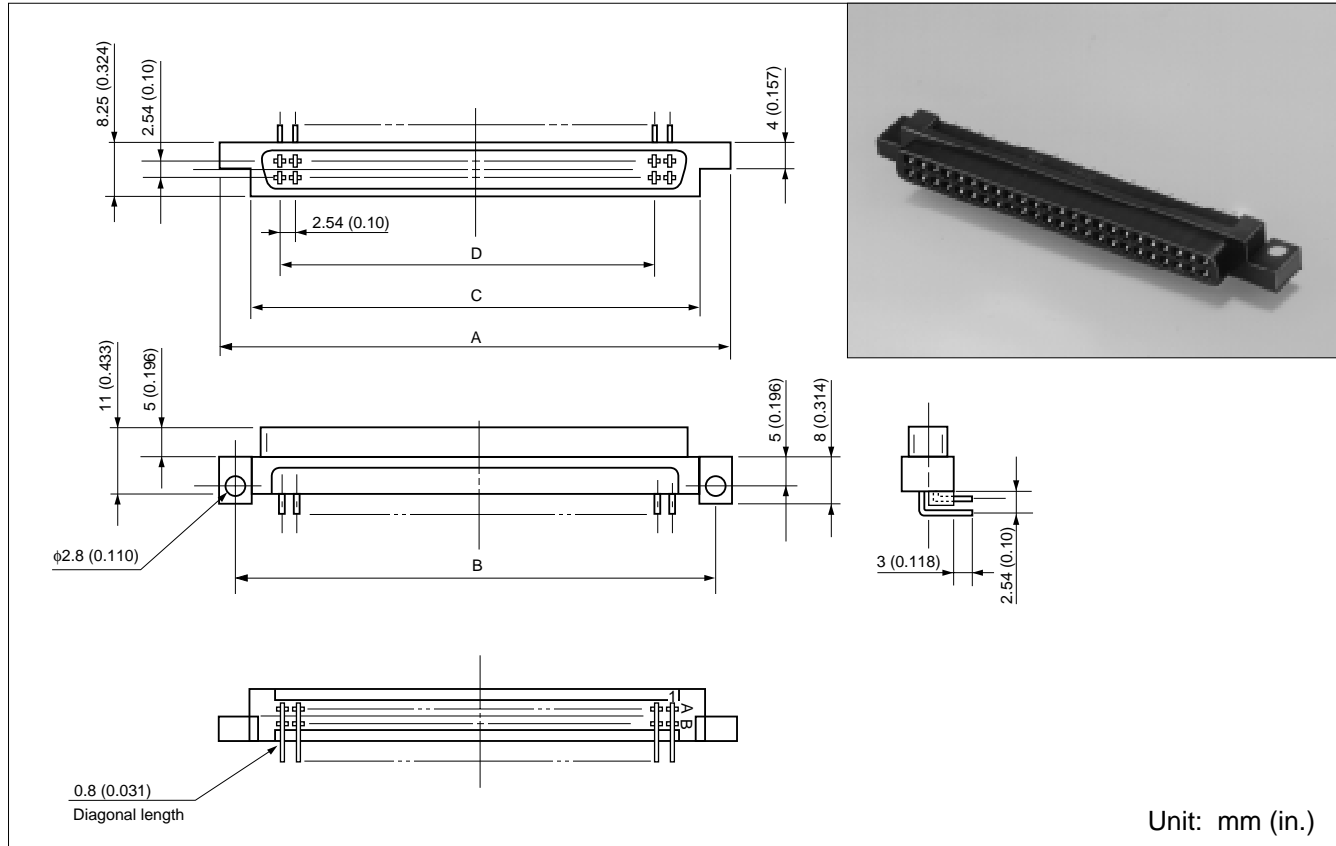
Right-angle type: N630-3651-T919  
Metal fittings: N630-3608-X038

### ■ MOUNTING

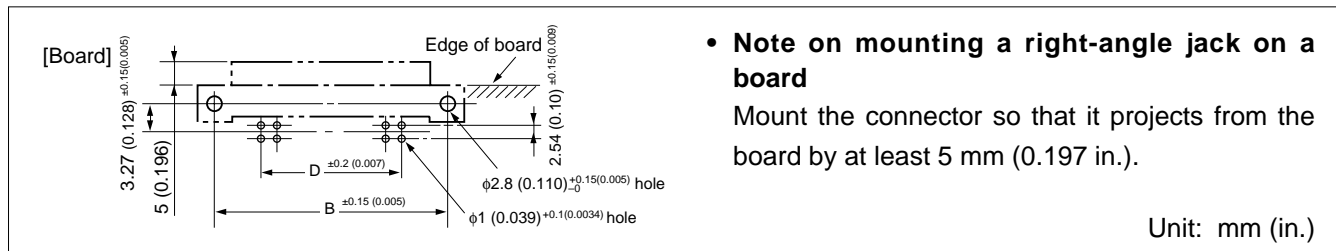


## RIGHT-ANGLE TYPE (JACK)

### ■ DIMENSIONS



### ■ MOUNTING HOLE LAYOUT



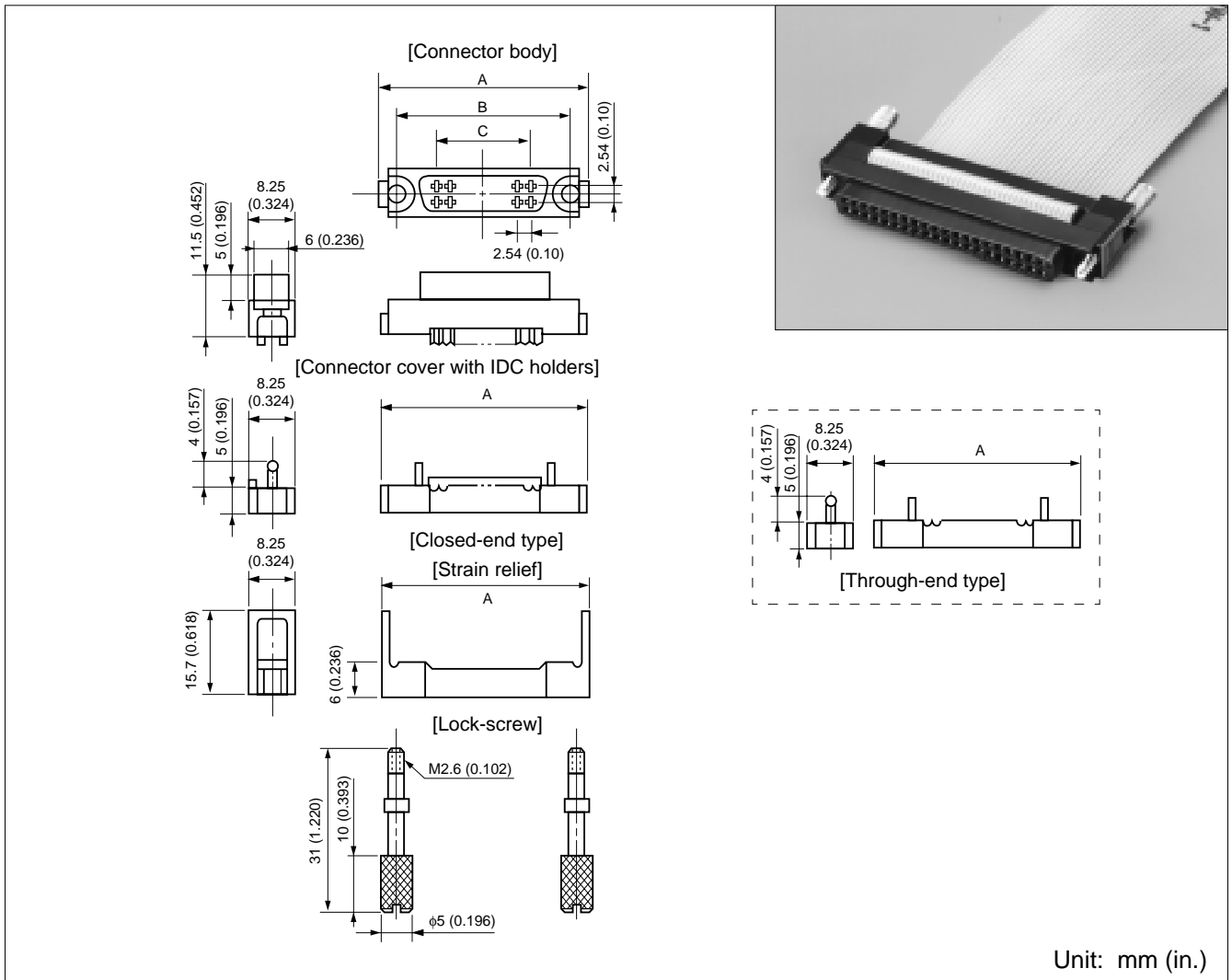
### ■ PART NUMBERS AND DIMENSIONS

Number of contacts	Part number	Dimensions: mm (in.)			
		A	B	C	D
8	FCN-365J008-AU	28.84 (1.135)	23.34 (0.918)	17.84 (0.702)	7.62 (0.3)
16	FCN-365J016-AU	39.0 (1.535)	33.5 (1.318)	28.0 (1.102)	17.78 (0.7)
24	FCN-365J024-AU	49.16 (1.935)	43.66 (1.718)	38.16 (1.502)	27.94 (1.1)
32	FCN-365J032-AU	59.32 (2.335)	53.82 (2.118)	48.32 (1.902)	38.1 (1.5)
40	FCN-365J040-AU	69.48 (2.735)	63.98 (2.518)	58.48 (2.302)	48.26 (1.9)
48	FCN-365J048-AU	79.64 (3.135)	74.14 (2.918)	68.64 (2.702)	58.42 (2.3)
56	FCN-365J056-AU	89.8 (3.535)	84.3 (3.318)	78.8 (3.102)	68.58 (2.7)
64	FCN-365J064-AU	99.96 (3.935)	94.46 (3.718)	88.96 (3.502)	78.74 (3.1)

# FCN-360 Series

## IDC TYPE (JACK)

### ■ DIMENSIONS



### ■ PART NUMBERS AND DIMENSIONS

Number of contacts	Part number		Dimensions: mm (in.)		
	Through-end cover	Close-end cover	A	B	D
8	FCN-367J008-AU/H	FCN-367J008-AU/F	28.84 (1.135)	23.34 (0.918)	7.62 (0.3)
16	FCN-367J016-AU/H	FCN-367J016-AU/F	39.0 (1.535)	33.5 (1.318)	17.78 (0.7)
24	FCN-367J024-AU/H	FCN-367J024-AU/F	49.16 (1.935)	43.66 (1.718)	27.94 (1.1)
32	FCN-367J032-AU/H	FCN-367J032-AU/F	59.32 (2.335)	53.82 (2.118)	38.1 (1.5)
40	FCN-367J040-AU/H	FCN-367J040-AU/FW*	69.48 (2.735)	63.98 (2.518)	48.26 (1.9)
48	FCN-367J048-AU/H	FCN-367J048-AU/F	79.64 (3.135)	74.14 (2.918)	58.42 (2.3)
56	FCN-367J056-AU/H	FCN-367J056-AU/F	89.8 (3.535)	84.3 (3.318)	68.58 (2.7)
64	FCN-367J064-AU/H	FCN-367J064-AU/F	99.96 (3.935)	94.46 (3.718)	78.74 (3.1)

\*: FC 6 J0 0 A /F is replaced y part num er FC 6 J0 0 A /FW, which indicates change of manufacturing location for this device.

## IDC TOOLS

Special IDC tools are used to assemble FCN-360 series connectors and flat cables.

### ■ FEATURES

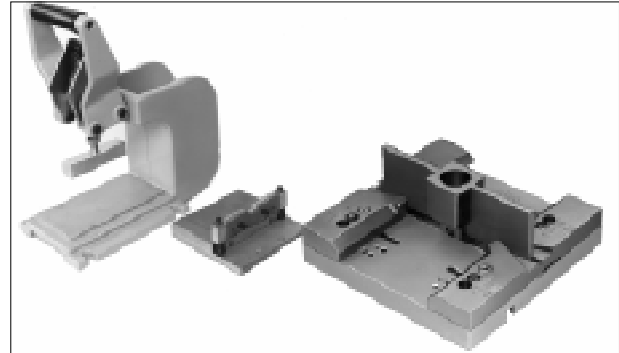
- The mechanisms are simple, so even novices can use them easily.
- Those who already have Fujitsu-manufactured IDC tools for other series connectors need only purchase the locator plate.

The hand press and cable cutter are designed to be used in common with all connectors.

- The assembly of cables and connectors with various numbers of contacts can be done by selective setting of the connector guides to the specified positions.
- The cable cutter has an extremely sharp cutting edge.

Notes:

- A detailed operation manual and instruction manual for IDC tools are available upon request.
- Should any question arise in using the IDC tools, consult our branch offices or agents in your area.



Hand press      Cable cutter      Locator plate (That for the 790 series is shown in the photograph.)

### ■ ORDERING CODES FOR IDC TOOLS

Tool name	Part number
Cable cutter (common)	FCN-707T-T001/H
Hand press (common)	FCN-707T-T101/H
Locator plate (for 360 series connectors)	FCN-367T-T012/H

The hand press and cable cutter can be used for other IDC connectors.

## COVER

### ■ COMBINATIONS BETWEEN COVERS AND CONNECTORS

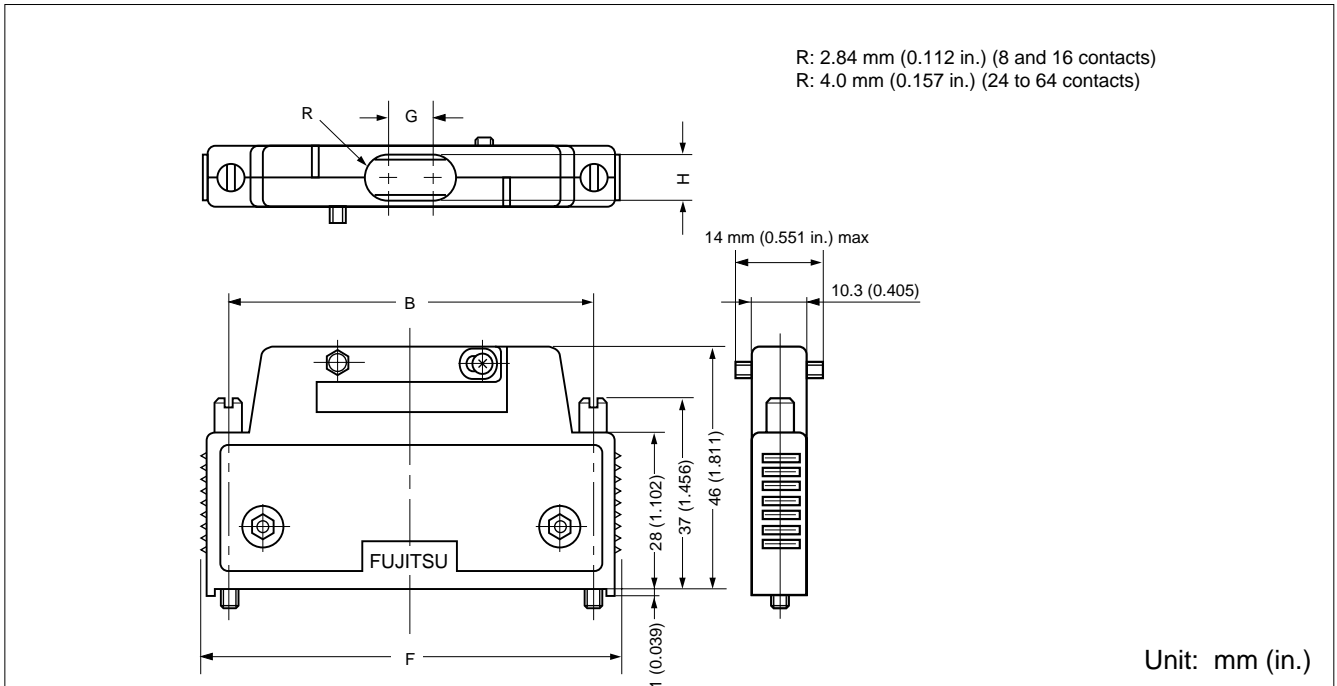
Connector Cover	Plug	Jack			Number of contacts							
	Soldering	Soldering	Wire-wrapping	Crimping	8	16	24	32	40	48	56	64
FCN-360C□□□-B	○	○	○	○	○	○	○	○	○	○	○	○
FCN-360C□□□-C	○	○	○	○	○	○	○	○	○	○	○	○
FCN-360C□□□-D	○	○	○	○					○	○	○	○
FCN-360C□□□-E	○	○	○	○	○	○	○	○	○	○	○	○
FCN-360C064-F	○	○	○	○								○
FCN-360C040-G1	○	○	○	○					○			
FCN-360C040-H/E	○	○							○			
FCN-360C040-J1	○	○							○			

These covers cannot be used for IDC connectors.

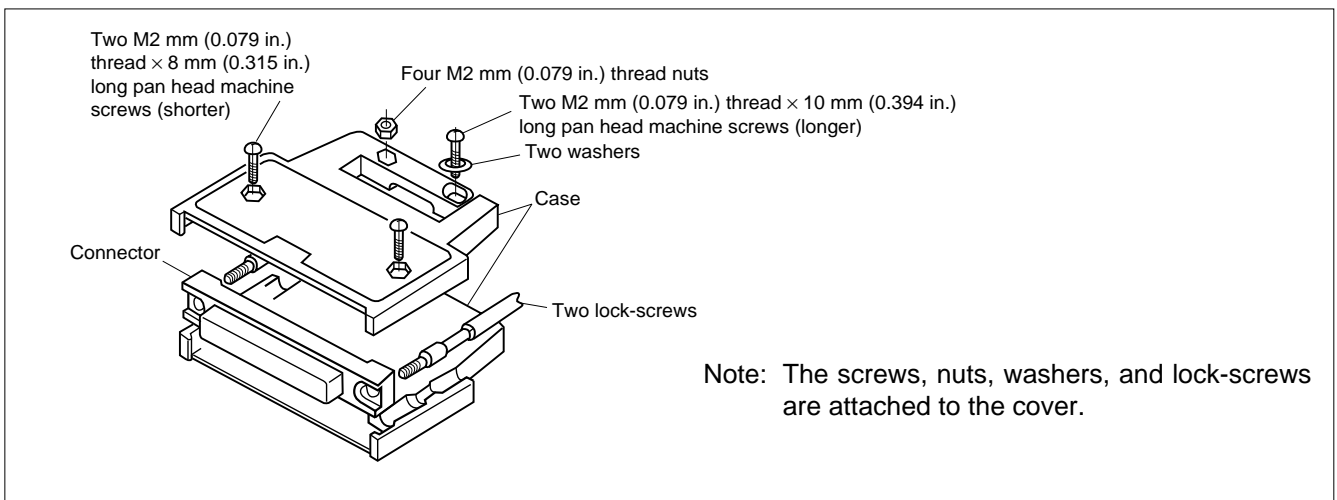
# FCN-360 Series

## COVER (TYPE B)

### ■ DIMENSIONS



### ■ EXPLODED VIEW



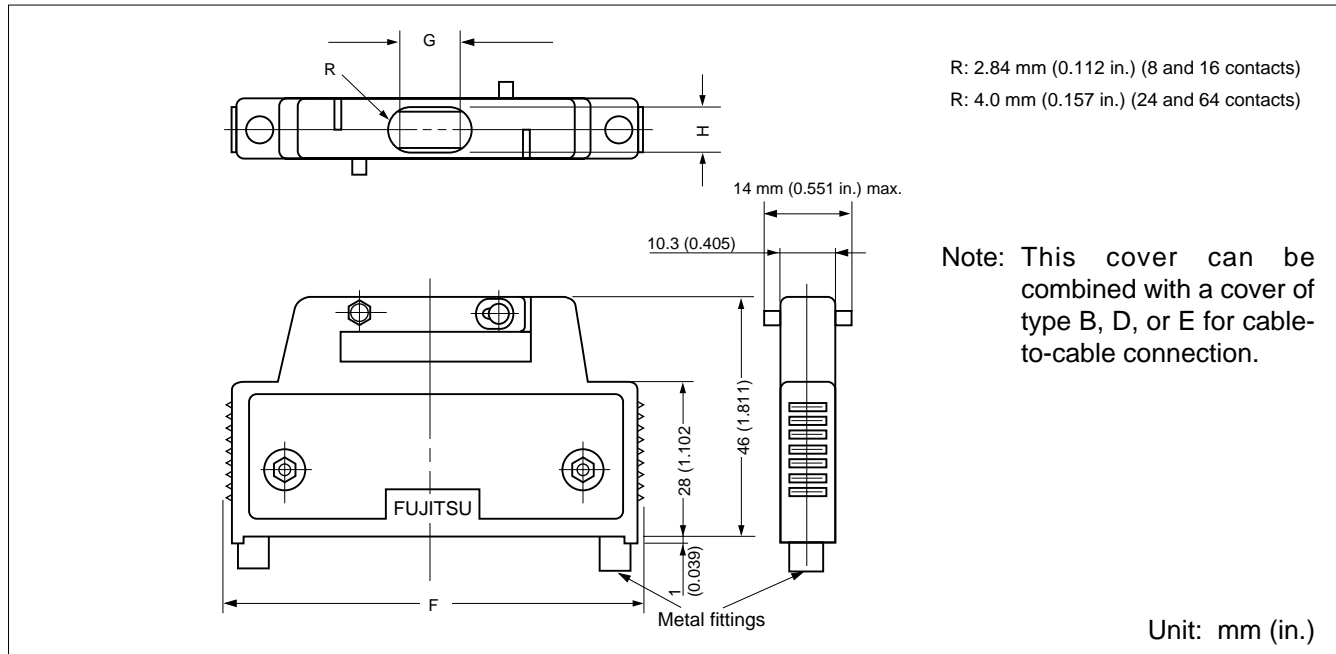
### ■ PART NUMBERS AND DIMENSIONS

Number of contacts	Part number	Dimensions: mm (in.)			
		B	F	G	H
8	FCN-360C008-B	23.34 (0.918)	32.08 (1.262)	—	∅ 5.7 (0.224)
16	FCN-360C016-B	33.50 (1.318)	42.24 (1.662)	—	∅ 5.7 (0.224)
24	FCN-360C024-B	43.66 (1.718)	52.40 (2.062)	—	∅ 8.0 (0.314)
32	FCN-360C032-B	53.82 (2.118)	62.56 (2.462)	2.0 (0.078)	8.0 (0.314)
40	FCN-360C040-B	63.98 (2.518)	72.72 (2.862)	6.0 (0.236)	8.0 (0.314)
48	FCN-360C048-B	74.14 (2.918)	82.88 (3.262)	10.0 (0.393)	8.0 (0.314)
56	FCN-360C056-B	84.30 (3.318)	93.04 (3.662)	14.0 (0.551)	8.0 (0.314)
64	FCN-360C064-B	94.46 (3.718)	103.20 (4.062)	18.0 (0.708)	8.0 (0.314)

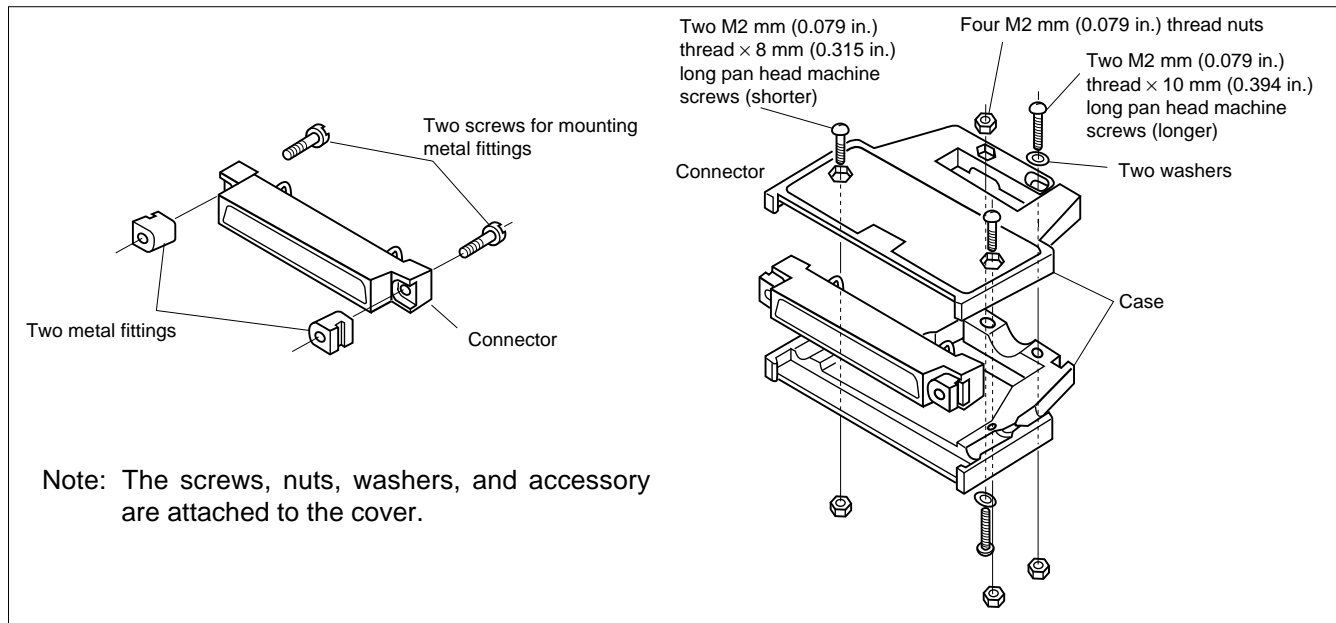
# FCN-360 Series

## COVER FOR CABLE TO CABLE CONNECTION (TYPE C)

### ■ DIMENSIONS



### ■ EXPLODED VIEW



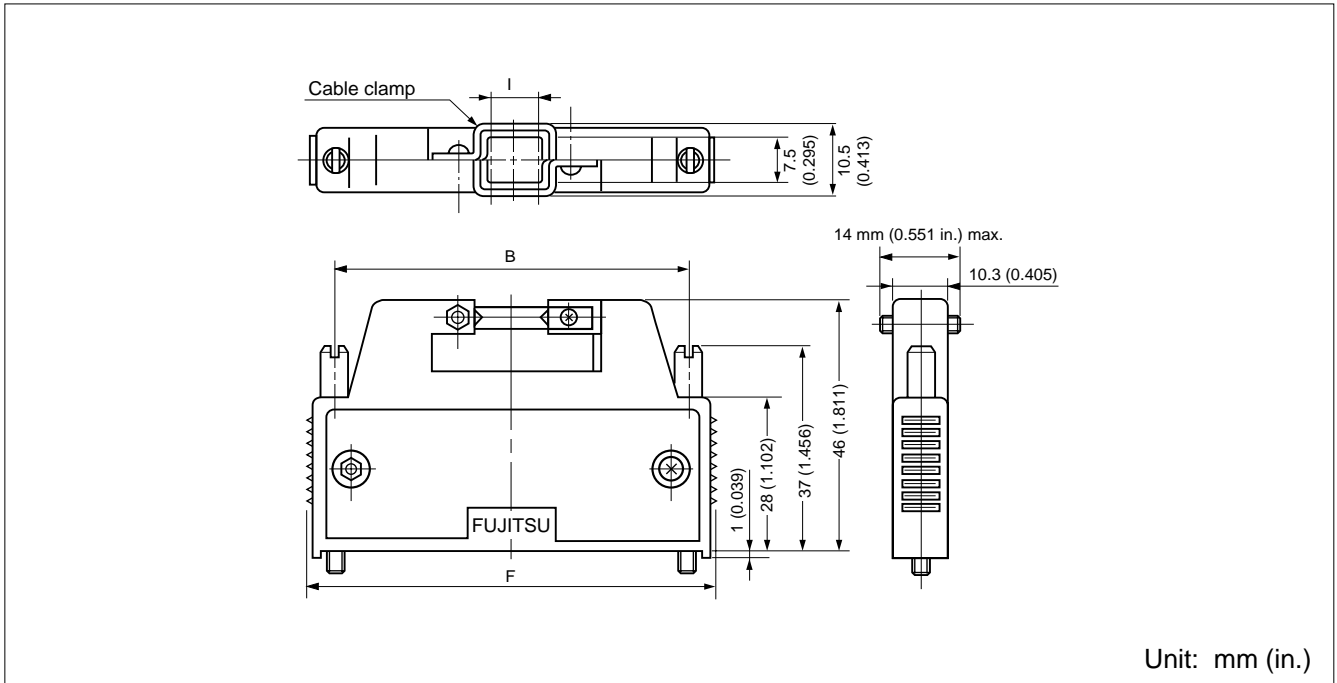
### ■ PART NUMBERS AND DIMENSIONS

Number of contacts	Part number	Dimensions: mm (in.)		
		F	G	H
8	FCN-360C008-C	32.08 (1.262)	—	φ 5.7 (0.224)
16	FCN-360C016-C	42.24 (1.662)	—	φ 5.7 (0.224)
24	FCN-360C024-C	52.40 (2.062)	—	φ 8.0 (0.314)
32	FCN-360C032-C	62.56 (2.462)	2.0 (0.078)	8.0 (0.314)
40	FCN-360C040-C	72.72 (2.862)	6.0 (0.236)	8.0 (0.314)
48	FCN-360C048-C	82.88 (3.262)	10.0 (0.393)	8.0 (0.314)
56	FCN-360C056-C	93.04 (3.662)	14.0 (0.551)	8.0 (0.314)
64	FCN-360C064-C	103.20 (4.062)	18.0 (0.708)	8.0 (0.314)

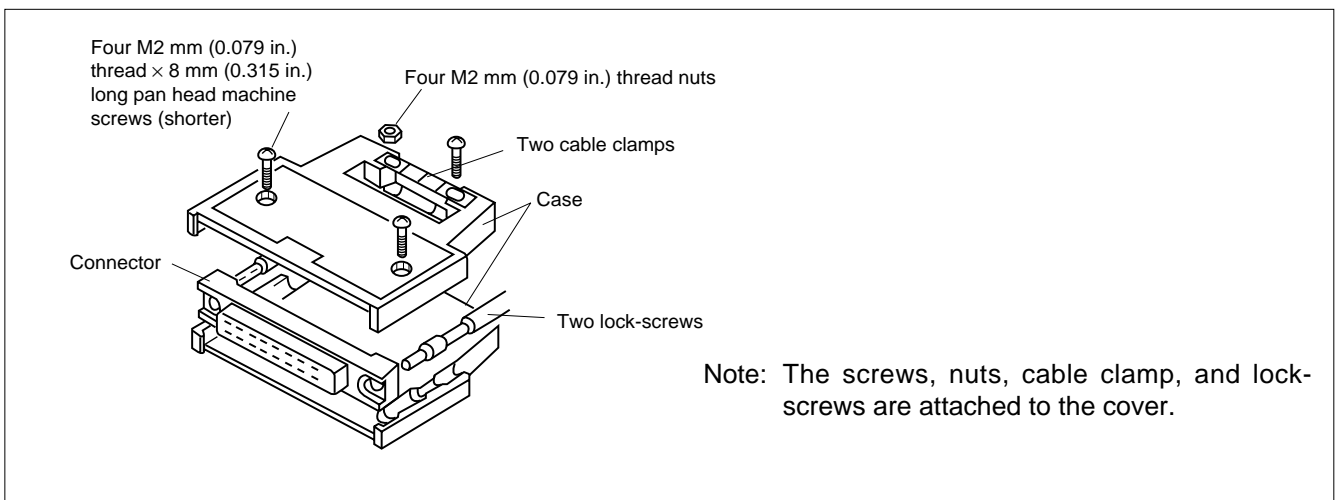
# FCN-360 Series

## COVER (WIDE OPENING TYPE) (TYPE D)

### ■ DIMENSIONS



### ■ EXPLODED VIEW



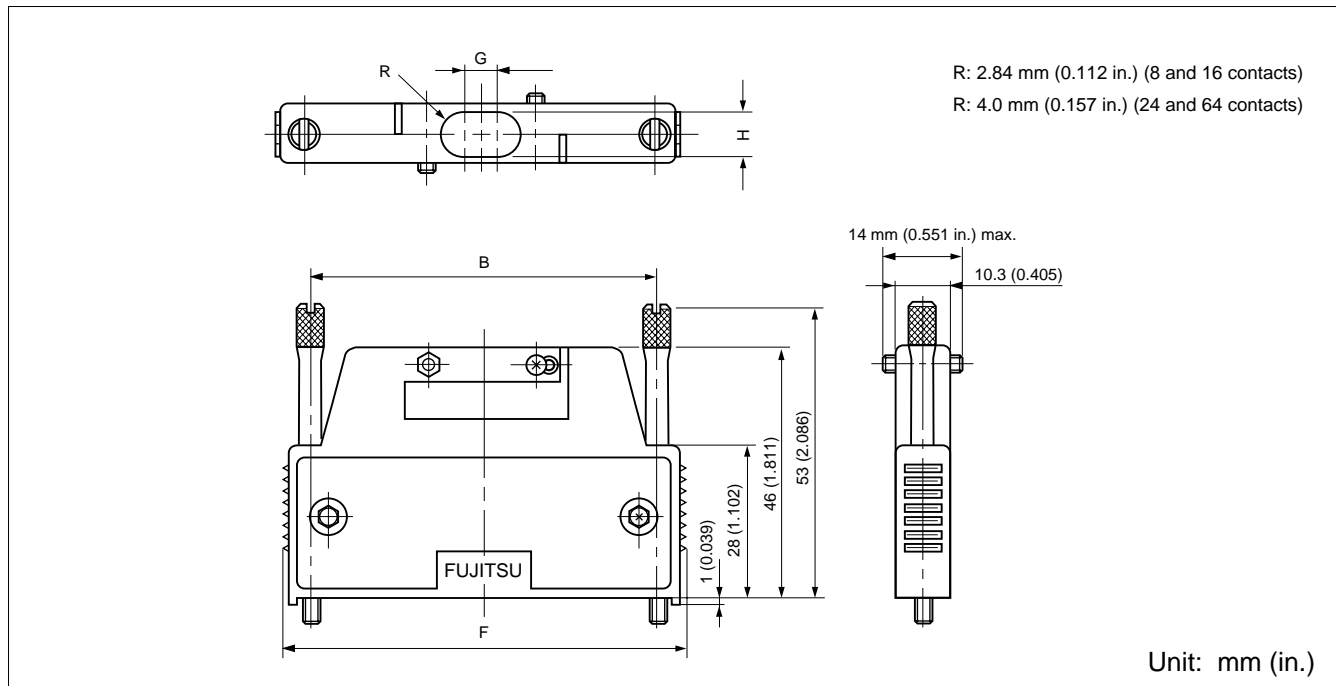
### ■ PART NUMBERS AND DIMENSIONS

Number of contacts	Part number	Dimensions: mm (in.)		
		B	F	I
40	FCN-360C040-D	63.98 (2.518)	72.72 (2.862)	8.0 (0.314)
48	FCN-360C048-D	74.14 (2.918)	82.88 (3.262)	12.0 (0.472)
56	FCN-360C056-D	84.30 (3.318)	93.04 (3.662)	16.0 (0.629)
64	FCN-360C064-D	94.46 (3.718)	103.20 (4.062)	20.0 (0.789)

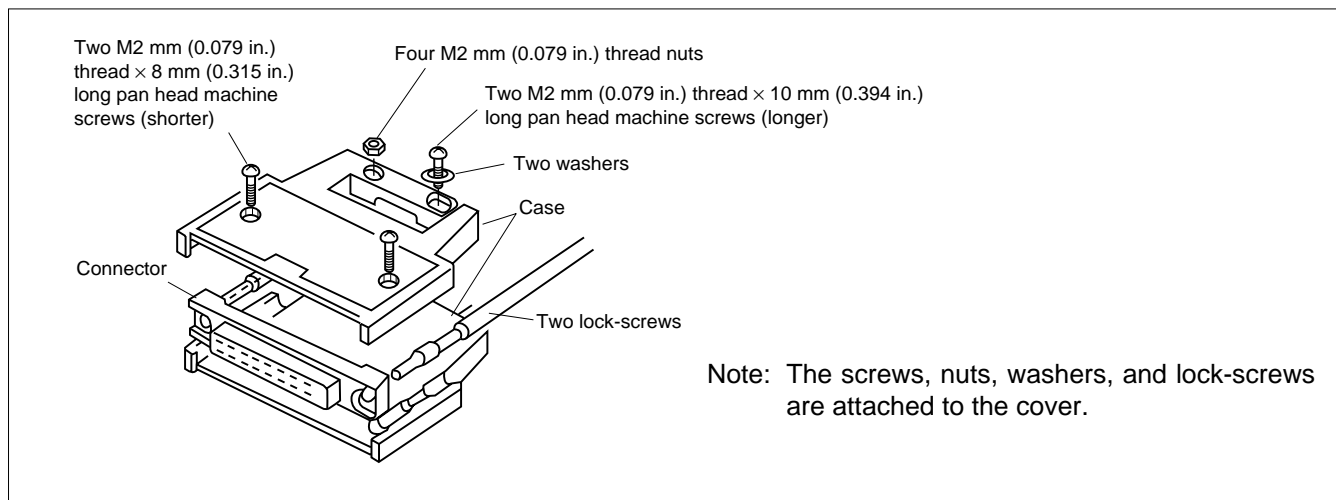
# FCN-360 Series

## COVER (LONG-SCREW TYPE) (TYPE E)

### ■ DIMENSIONS



### ■ EXPLODED VIEW



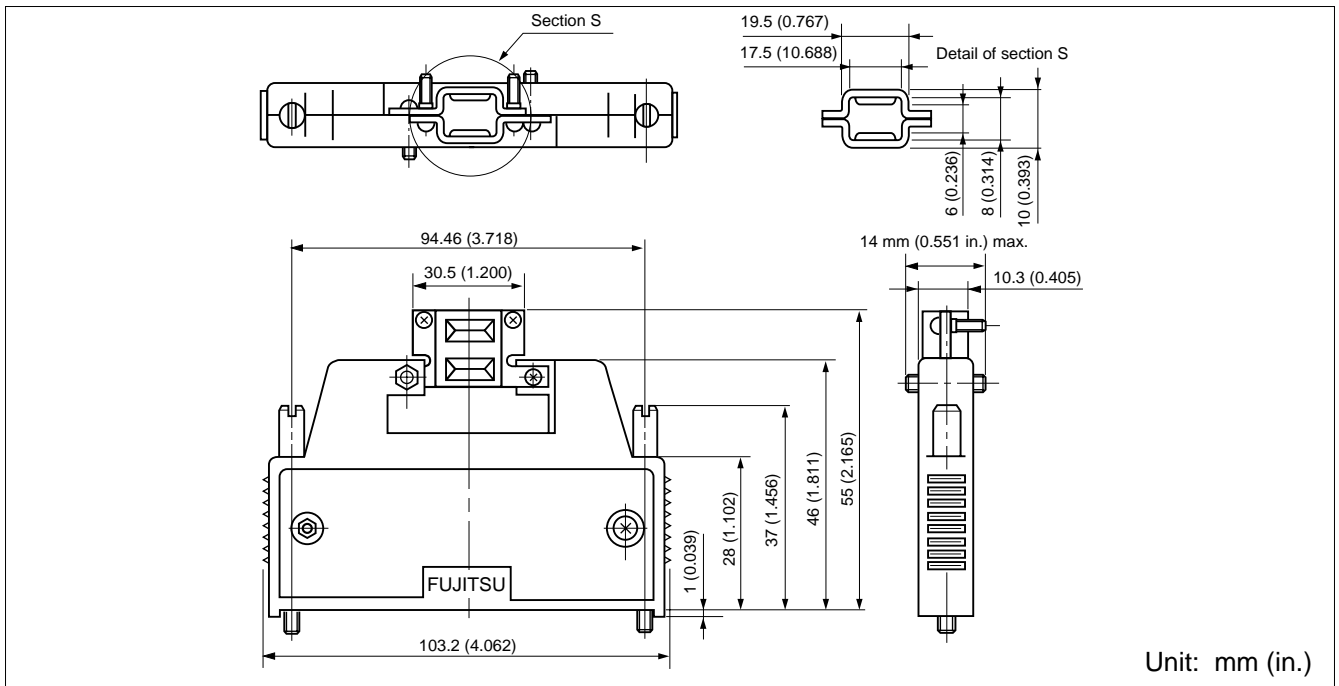
### ■ PART NUMBERS AND DIMENSIONS

Number of contacts	Part number	Dimensions: mm (in.)			
		B	F	G	H
8	FCN-360C008-E	23.34 (0.918)	32.08 (1.262)	—	φ 5.7 (0.224)
16	FCN-360C016-E	33.50 (1.318)	42.24 (1.662)	—	φ 5.7 (0.224)
24	FCN-360C024-E	43.66 (1.718)	52.40 (2.062)	—	φ 8.0 (0.314)
32	FCN-360C032-E	53.82 (2.118)	62.56 (2.462)	2.0 (0.078)	8.0 (0.314)
40	FCN-360C040-E	63.98 (2.518)	72.72 (2.862)	6.0 (0.236)	8.0 (0.314)
48	FCN-360C048-E	74.14 (2.918)	82.88 (3.262)	10.0 (0.393)	8.0 (0.314)
56	FCN-360C056-E	84.30 (3.318)	93.04 (3.662)	14.0 (0.551)	8.0 (0.314)
64	FCN-360C064-E	94.46 (3.718)	103.20 (4.062)	18.0 (0.708)	8.0 (0.314)

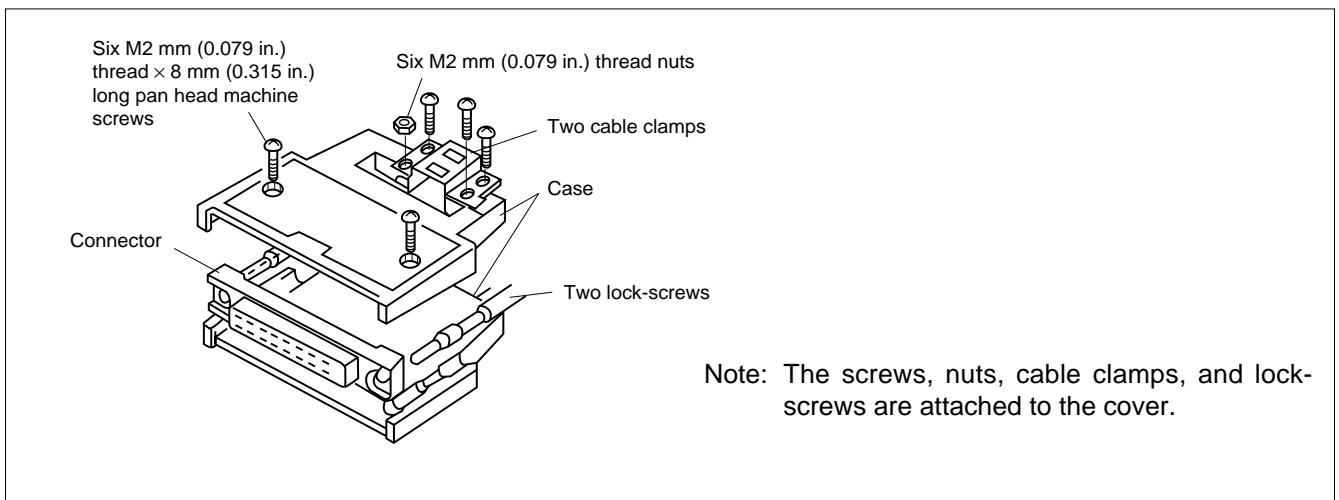


## COVER (STRAIGHT CABLE-OUT COVER) (TYPE F)

### ■ DIMENSIONS



### ■ EXPLODED VIEW



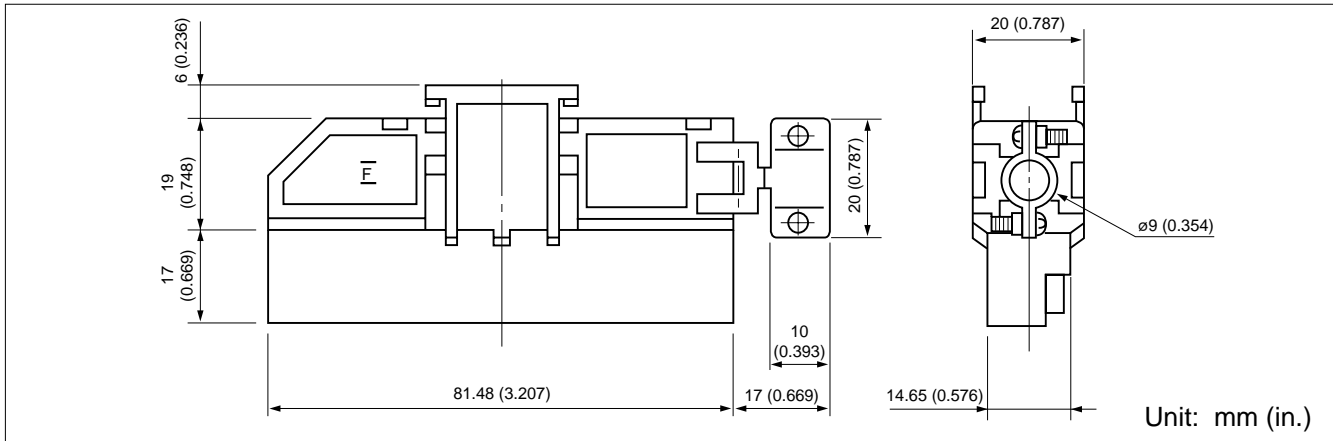
### ■ PART NUMBER

FCN-360C064-F

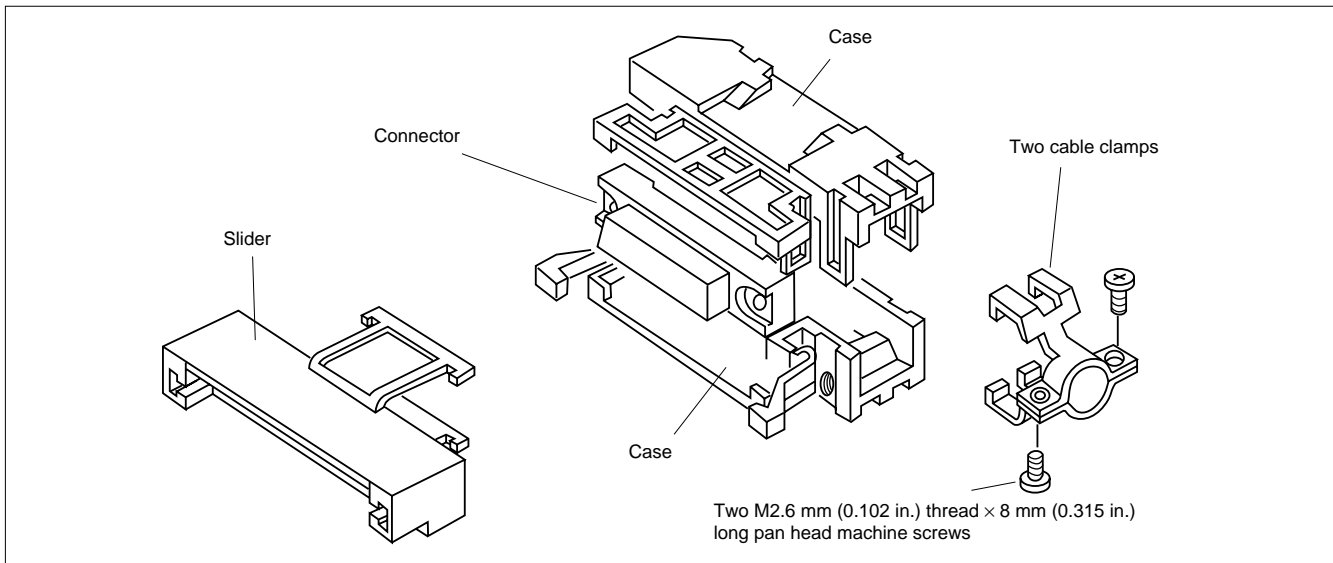
# FCN-360 Series

## COVER (RIGHT ANGLE CABLE-OUT COVER) (TYPE G1)

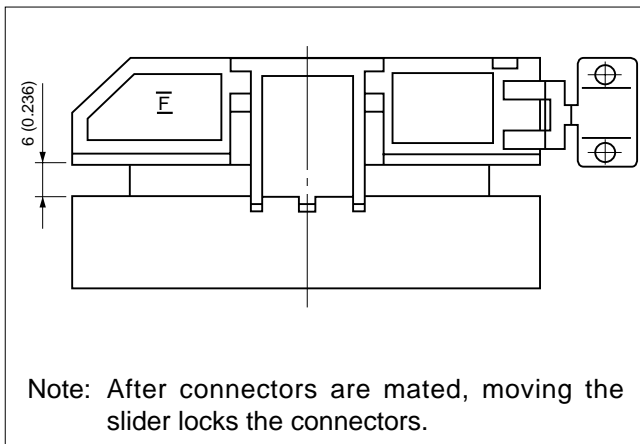
### ■ DIMENSIONS



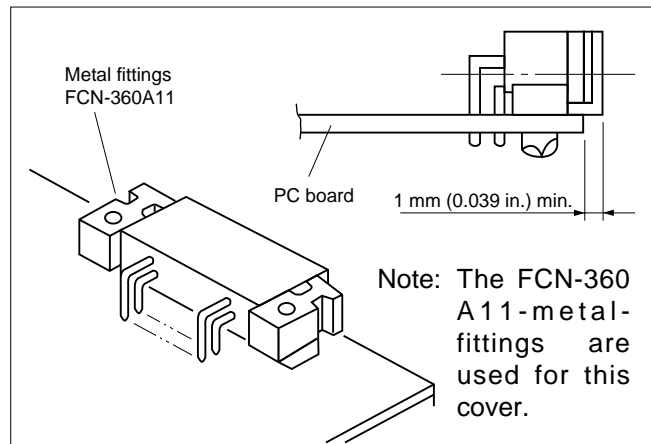
### ■ EXPLODED VIEW



### ■ LOCKED STATE



### ■ METAL FITTINGS



### ■ PART NUMBER

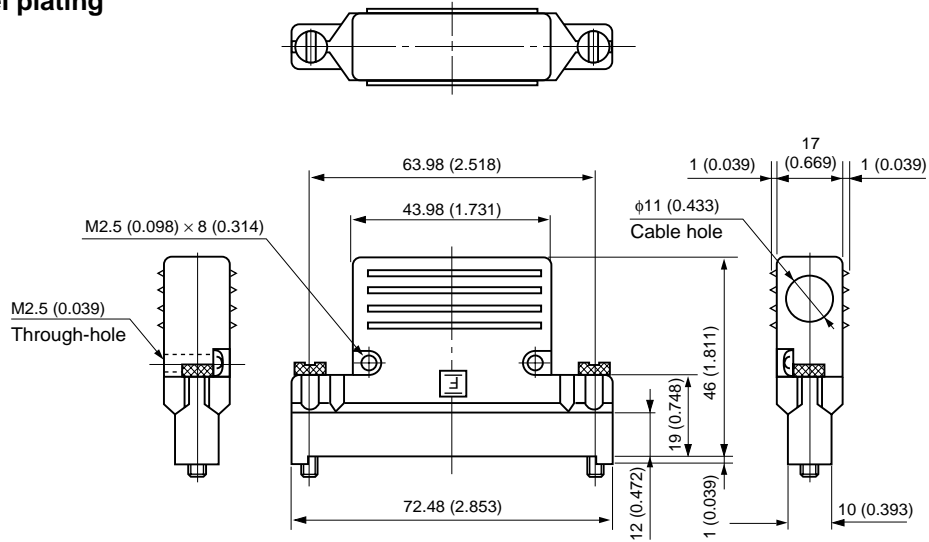
FCN-360C040-G1

## COVER (RIGHT ANGLE CABLEOUT COVER) (TYPE H/E)

### ■ DIMENSIONS

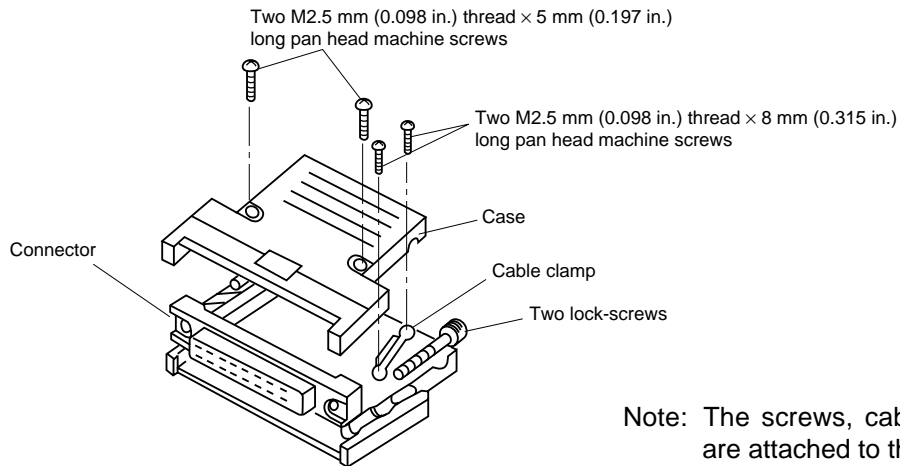
Material: Zinc die cast

Plating: Nickel plating



Unit: mm (in.)

### ■ EXPLODED VIEW



Note: The screws, cable clamp, and lock-screws are attached to the cover.

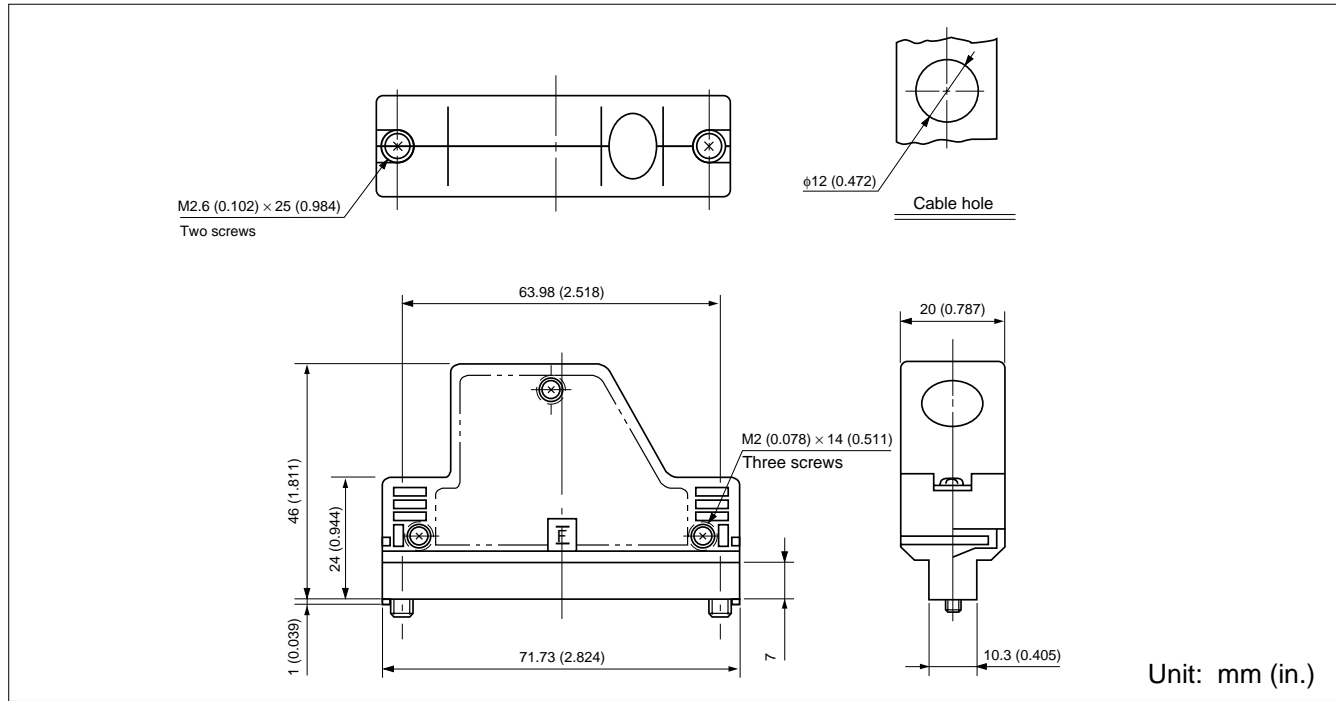
### ■ PART NUMBER

FCN-360C040-H/E

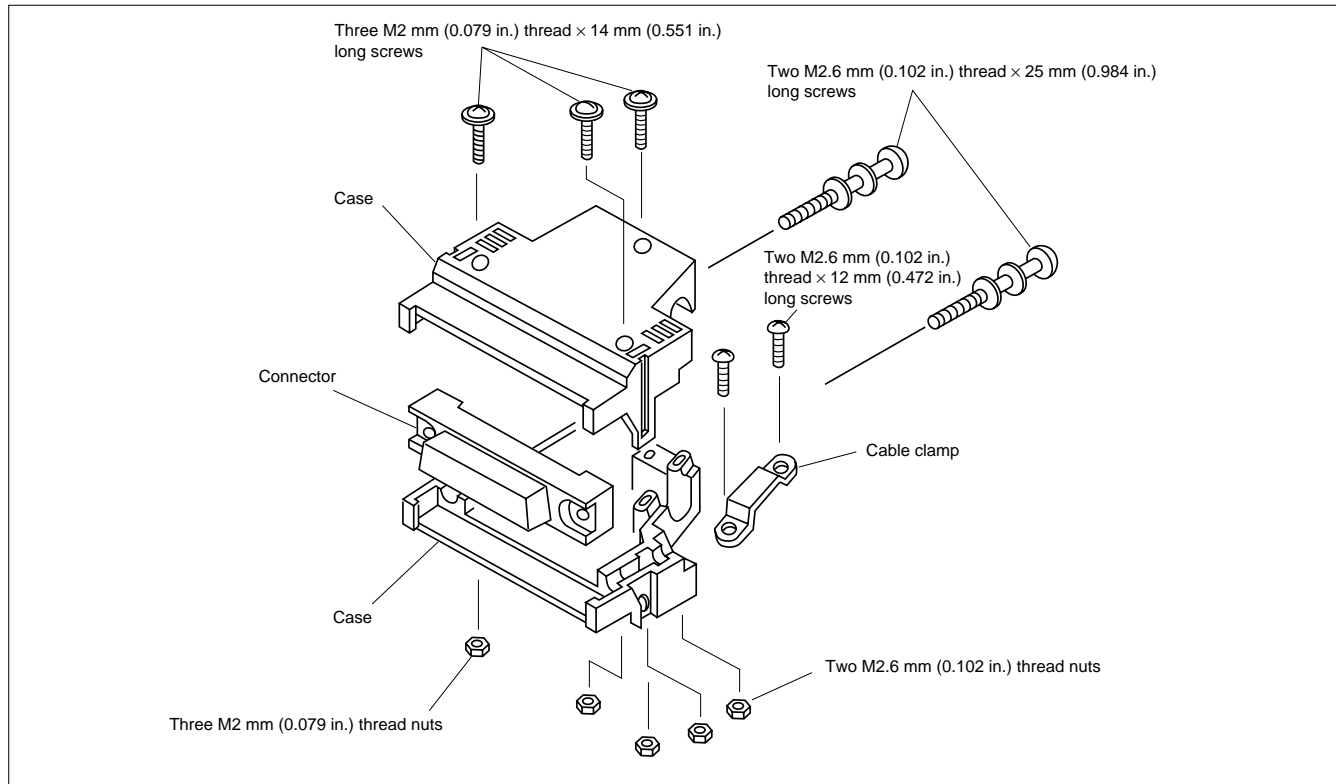
# FCN-360 Series

## COVER (OBTUSE ANGLE CABLE-OUT COVER (40 CONTACTS ONLY)) (TYPE J1)

### ■ DIMENSIONS



### ■ EXPLODED VIEW



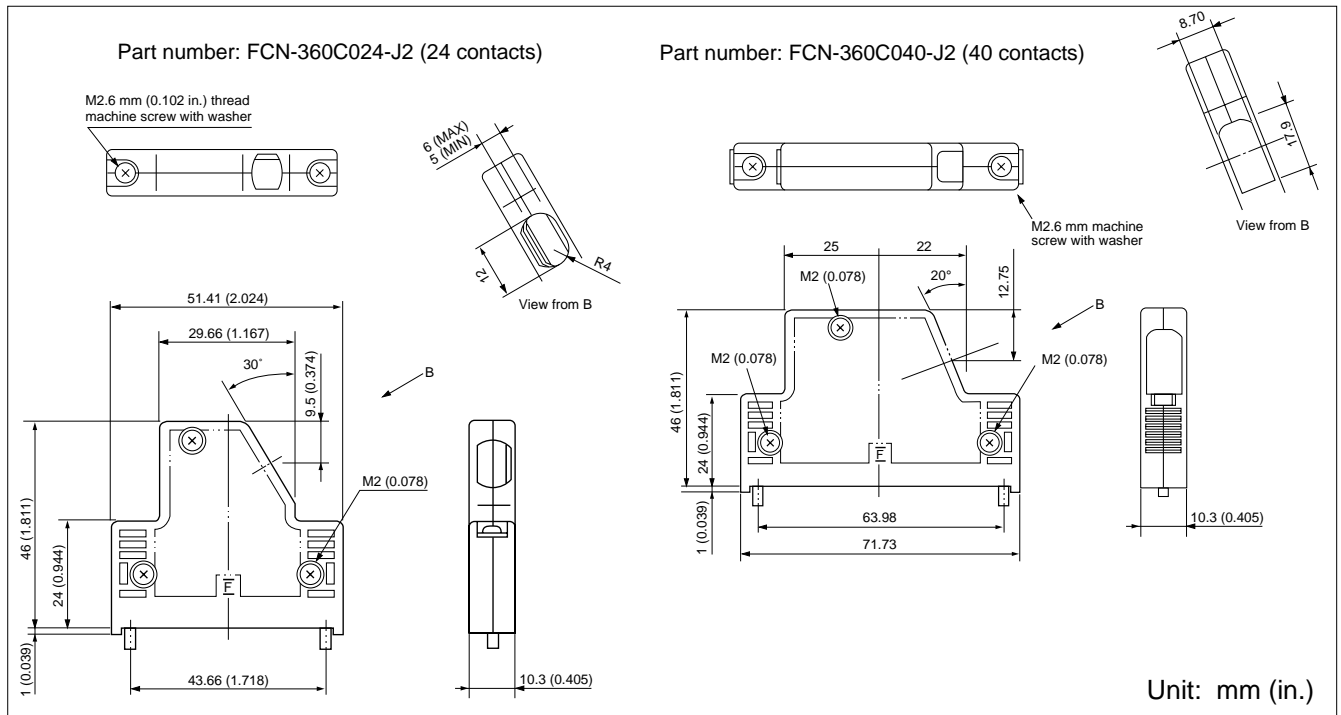
### ■ PART NUMBER

FCN-360C040-J1

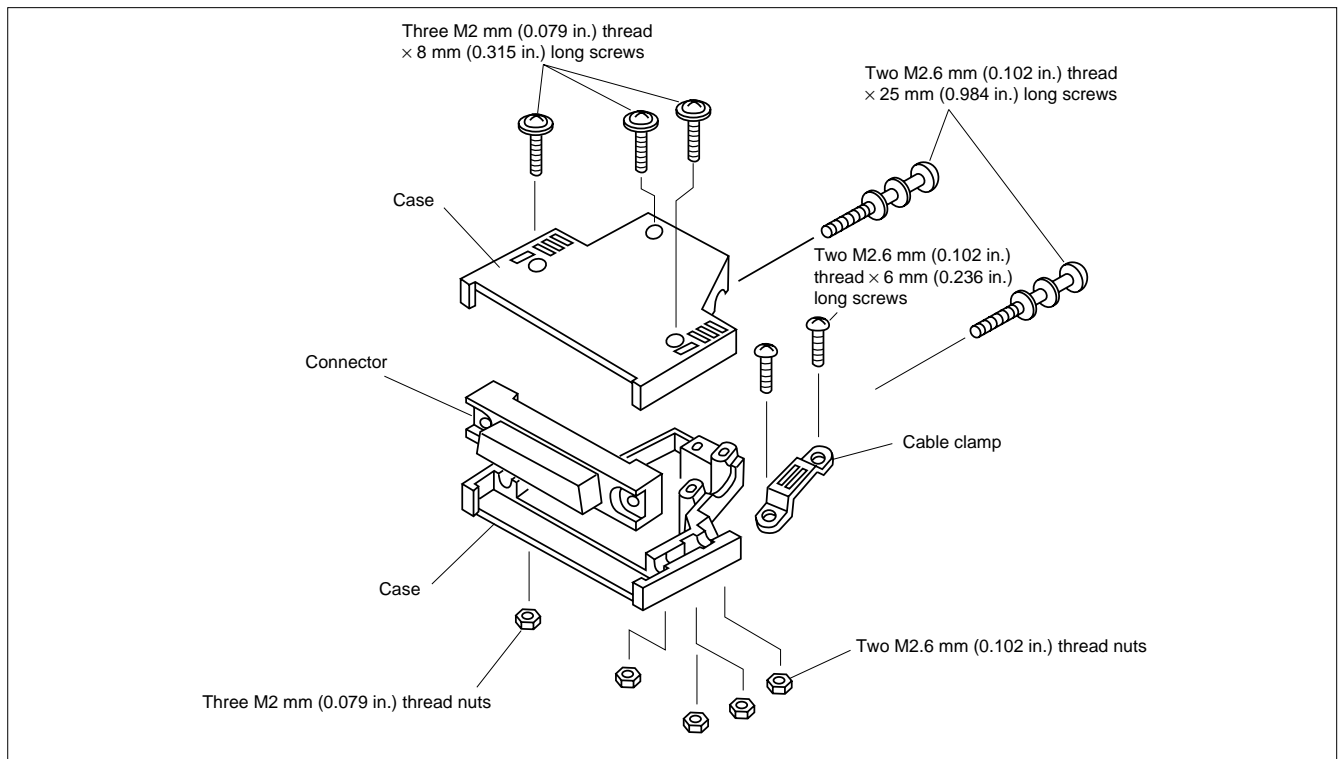
# FCN-360 Series

## LOW PROFILE COVER (OBTUSE ANGLE CABLE -OUT) (TYPE J2)

### ■ DIMENSION



### ■ EXPLODED VIEW



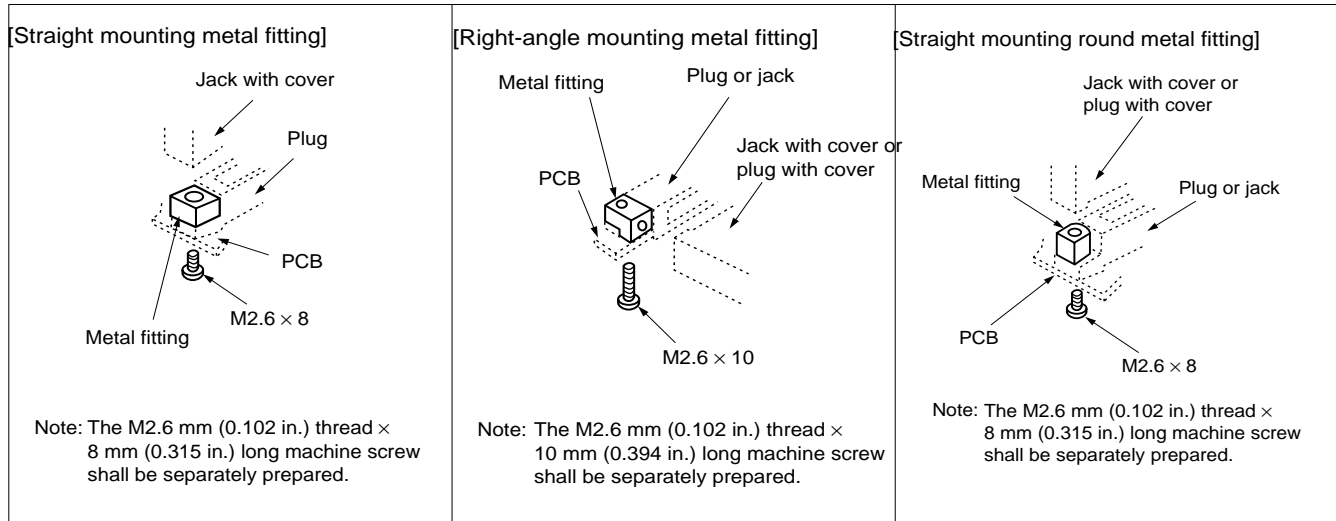
### ■ PART NUMBER

FCN-360C024-J2

FCN-360C040-J2

## ACCESSORIES

### ■ MOUNTING SYLE



### ■ SELECTION OF METAL FITTINGS ACCORDING TO COMBINATION OF CONNECTORS AND COVERS

Jack		Cover mounting side										
		361J		362J		363J		364J		367J		
		With cover	Without cover	With cover	Without cover	With cover	Without cover	With cover	Without cover	With cover	Without cover	
Metal fitting mounting side	361P	Metal fitting part number	FCN-360A4	FCN-360A5	FCN-360A4	FCN-360A5	FCN-360A4	FCN-360A5	FCN-360A4	FCN-360A5	—	FCN-360A5
	362P		FCN-360A1	FCN-360A6	FCN-360A1	FCN-360A6	FCN-360A1	FCN-360A6	FCN-360A1	FCN-360A6	—	FCN-360A6
	364P		FCN-360A1	FCN-360A6	FCN-360A1	FCN-360A6	FCN-360A1	FCN-360A6	FCN-360A1	FCN-360A6	—	FCN-360A6
	365P		FCN-360A2	FCN-360A3	FCN-360A2	FCN-360A3	FCN-360A2	FCN-360A3	FCN-360A2	FCN-360A3	—	FCN-360A3

Plug		Cover mounting side						
		361P		361P		364P		
		With cover	Without cover	With cover	Without cover	With cover	Without cover	
Metal fitting mounting side	361J	Metal fitting part number	FCN-360A4	FCN-360A5	—	FCN-360A7	—	FCN-360A7
	362J		FCN-360A4	FCN-360A5	—	FCN-360A7	—	FCN-360A7
	363J		FCN-360A4	FCN-360A5	—	FCN-360A7	—	FCN-360A7
	364J		FCN-360A4	FCN-360A5	—	FCN-360A7	—	FCN-360A7
	365J		FCN-360A10 (FCN-360A8)	FCN-360A9	—	FCN-360A9	—	FCN-360A9
	367J		FCN-360A4	FCN-360A5	—	FCN-360A7	—	FCN-360A7

Note: When the jack or plug without a cover (shaded part) is used, have M2.6 × 8 mm machine screws ready in order to tighten the connector.

## ■ SHAPES AND DIMENSIONS OF METAL FITTINGS

### 1. Straight Mounting Metal Fittings

Shape	Part number		FCN-360A1	FCN-360A6
	Symbol			
	A		5.3 (0.208)	6.3 (0.248)

### 2. Right-angle Mounting Metal Fittings

Shape	Part number		FCN-360A2	FCN-360A3
	Symbol			
	B		3 (0.118)	4 (0.157)
	C		9 (0.354)	10 (0.393)

Shape	Part number		FCN-360A8	FCN-360A9
	Symbol			
	B		5.3 (0.208)	6.3 (0.248)
	C		13.3 (0.523)	14.3 (0.526)

Symbol	Part number
	FCN-360A10

Symbol	Part number
	FCN-360A11

### 3. Straight Mounting Round Metal Fittings

Shape	Part number			
	Symbol	FCN-360A4	FCN-360A5	FCN-360A7
	D	7.1 (0.279)	9.9 (0.389)	8.1 (0.318)

# FCN-360 Series

---

## Contact

### Japan

FUJITSU COMPONENT LIMITED  
Shinagawa Seaside Park Tower  
12-4, Higashi-shinagawa 4-chome,  
Tokyo 140 0002, Japan  
Tel: (81-3) 3450-1681  
Fax: (81-3) 3474-2385  
Email: fcl-contact@cs.jp.fujitsu.com  
Web: www.fujitsu.com/jp/group/fcl/en/

### North and South America

FUJITSU COMPONENTS AMERICA, INC.  
2290 North First Street, Suite 212  
San Jose, CA 95131 U.S.A.  
Tel: (1-408) 745-4900  
Fax: (1-408) 745-4970  
Email: components@us.fujitsu.com  
Web: http://us.fujitsu.com/components/

### Europe

FUJITSU COMPONENTS EUROPE B.V.  
Diamantlaan 25  
2132 WV Hoofddorp  
Netherlands  
Tel: (31-23) 5560910  
Fax: (31-23) 5560950  
Email: info@fceu.fujitsu.com  
Web: emea.fujitsu.com/components/

### Asia Pacific

FUJITSU COMPONENTS ASIA, Ltd.  
102E Pasir Panjang Road  
#01-01 Citilink Warehouse Complex,  
Singapore 118529  
Tel: (65) 6375-8560 / Fax: (65) 6273-3021  
Email: fcal@sg.fujitsu.com  
www.fujitsu.com/sg/products/devices/  
components/

### China

FUJITSU ELECTRONIC COMPONENTS  
(SHANGHAI) CO., LTD.  
Unit 4306, InterContinental Center  
100 Yu Tong Road, Shanghai 200070, China  
Tel: (86 21) 3253 0998 / Fax: (86 21) 3253 0997  
Email: fcal@sg.fujitsu.com  
www.fujitsu.com/sg/products/devices/  
components/

### Hong Kong

FUJITSU COMPONENTS HONG KONG Co., Ltd.  
Room 06, 28/F, Greenfield Tower, Concordia  
Plaza, No.1 Science Museum Road,  
Tsim Sha Tsui East, Kowloon, Hong Kong  
Tel: (852) 2881 8495 Fax: (852) 2894 9512  
Email: fcal@sg.fujitsu.com  
www.fujitsu.com/sg/products/devices/  
components/

### Korea

FUJITSU COMPONENTS KOREA, LTD.  
Alpha Tower #403,  
645 Sampyeong-dong,  
Bundang-gu, Seongnam-si,  
Gyeonggi-do, 13524 Korea  
Tel: (82 31) 708-7108  
Fax: (82 31) 709-7108  
Email: fcal@sg.fujitsu.com  
www.fujitsu.com/sg/products/  
devices/components/

---

## Copyright

All trademarks or registered trademarks are the property of their respective owners. Fujitsu Components America or its affiliates do not warrant that the content of datasheet is error free. In a continuing effort to improve our products Fujitsu Components America, Inc. or its affiliates reserve the right to change specifications/datasheets without prior notice. Copyright ©2017 Fujitsu Components America, Inc. All rights reserved. Revised May 16, 2017.

---



# Mouser Electronics

Authorized Distributor

Click to View Pricing, Inventory, Delivery & Lifecycle Information:

## Fujitsu:

[FCN-360C040-J2](#) [FCN-361J040-AU](#) [FCN-360C024-B](#) [FCN-364P040-AU](#) [FCN-361J024-AU](#) [FCN-367J040-AU/H](#)  
[FCN-364P024-AU](#) [FCN-363T-T011/H](#) [FCN-360A1](#) [FCN-360C008-E](#) [FCN-360C024-C](#) [FCN-360C024-J2](#) [FCN-](#)  
[361J008-AU](#) [FCN-361P024-AU](#) [FCN-363J040](#) [FCN-364J032-AU](#) [FCN-364J040-AU](#) [FCN-364P008-AU](#) [FCN-](#)  
[365P008-AU](#) [FCN-365P024-AU](#) [FCN-367J024-AU/F](#) [FCN-367J040-AU/F](#) [FCN-367J056-AU/F](#) [FCN361J048-AU](#)  
[FCN360C048B](#) [FCN-365P040-AU/B#01](#) [FCN-365P040-AU/C#01](#) [FCN-360C048-E](#) [FCN-365P040-AU#01](#) [FCN-](#)  
[365P040-AU/A#01](#) [FCN-364P040-AU/D#01](#) [FCN-365P080-AU/26](#) [FCN-365P080-AU/27](#)