

10078995-G0X-XXYLF

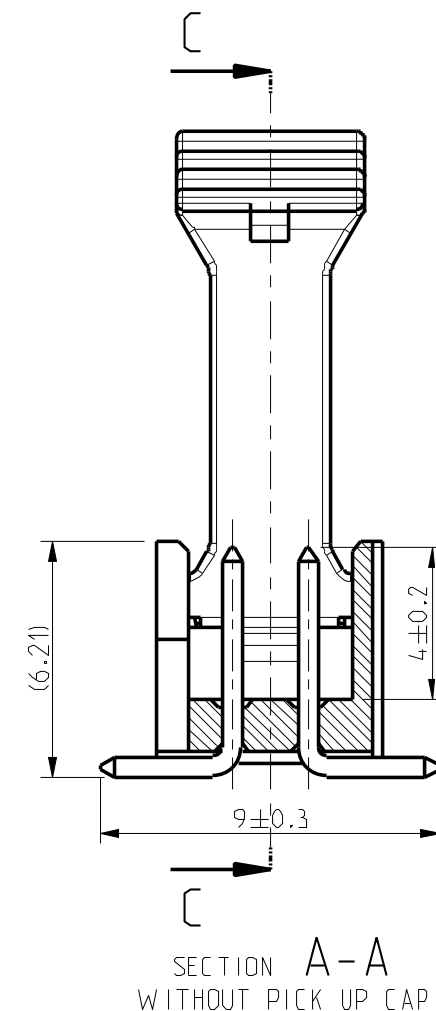
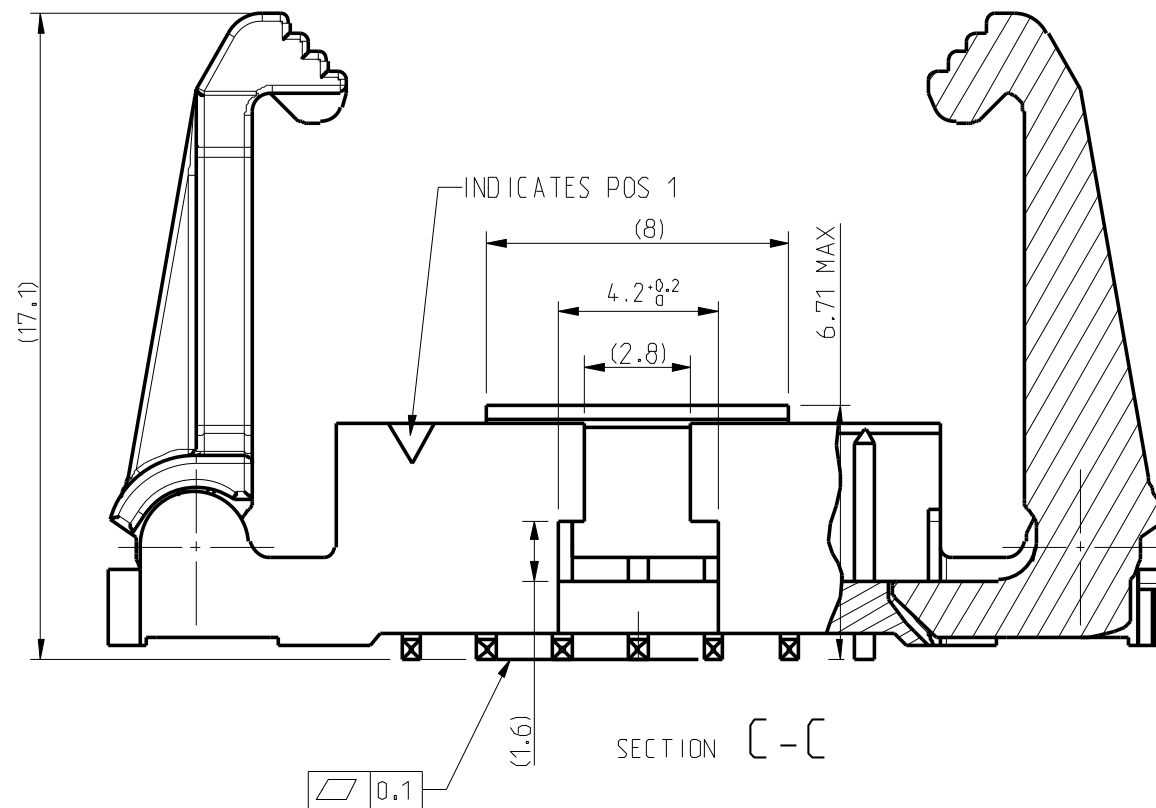
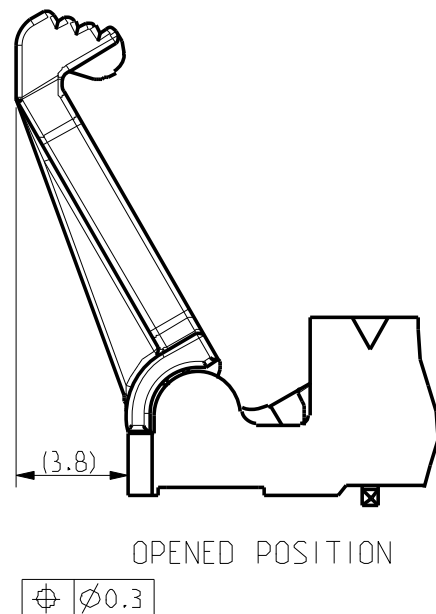
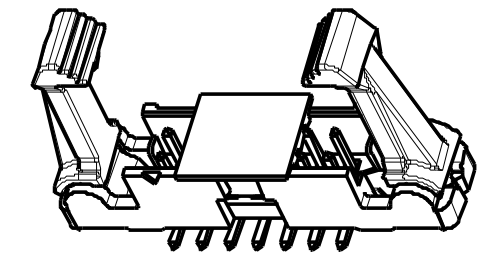
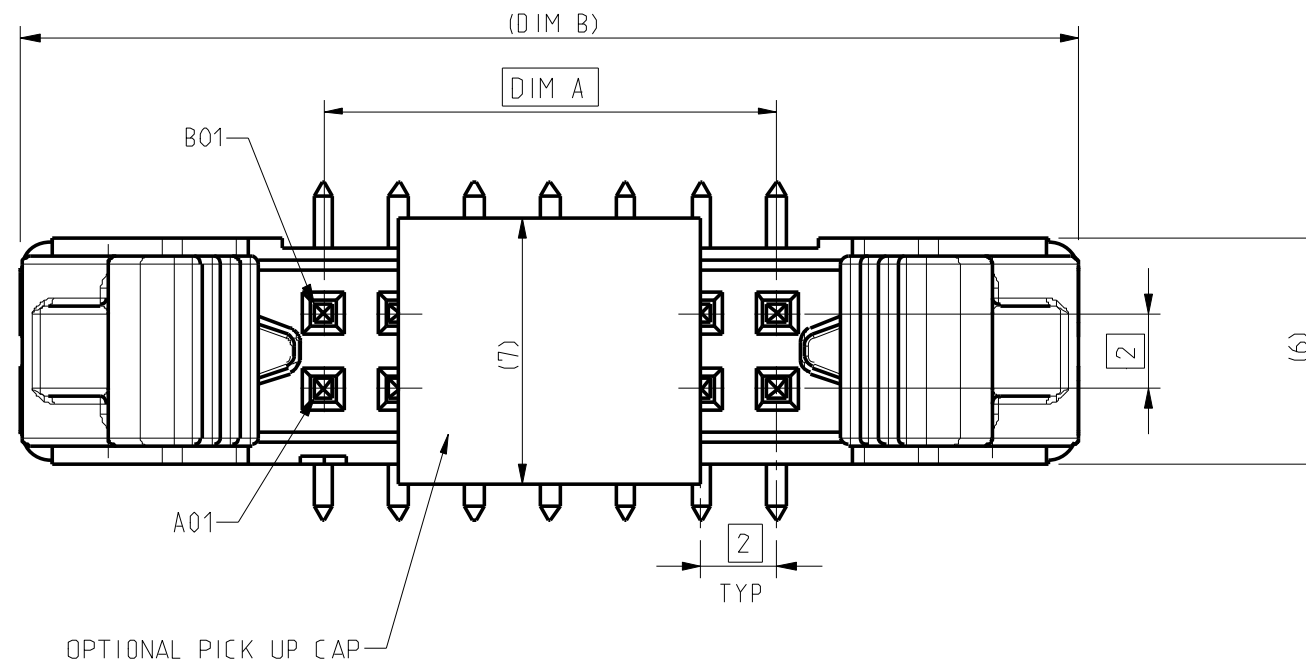
PLATING  
 0.76 μm GXT  
 (Pd Ni WITH GOLD FLASH ON CONTACT AREA)  
 1.27 μm Ni MIN UNDERPLATE

LATCH TYPE :  
 1 = STANDARD : For use with STRAIN-RELIEF 10073978  
 2 = LOW PROFILE : For use without STRAIN-RELIEF

SIZE : TOTAL NB OF POSITIONS  
 SEE SHEET 2

PACKAGING, SEE NOTE 4

RoHS COMPATIBLE, SEE NOTE 5.

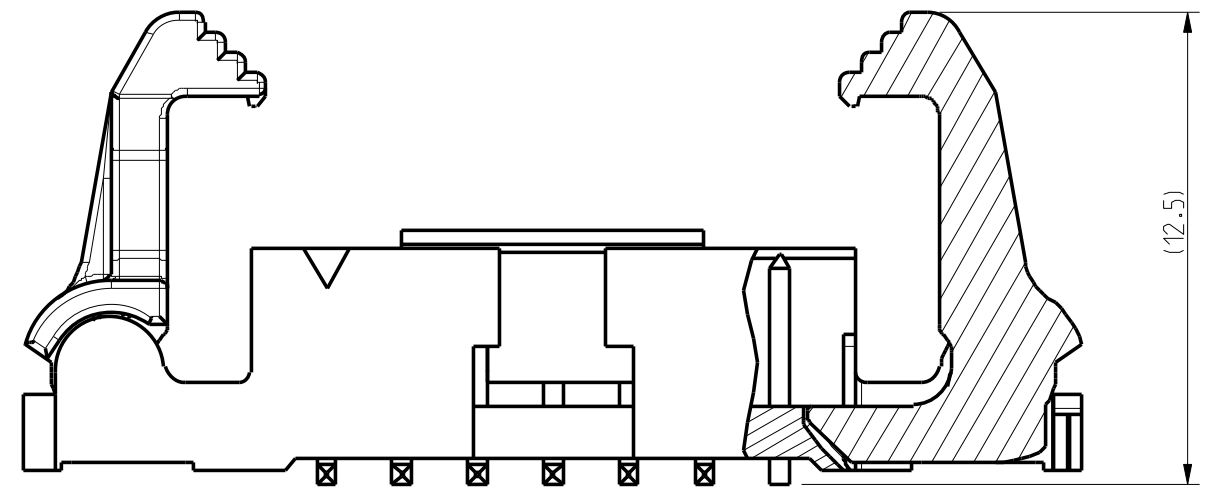
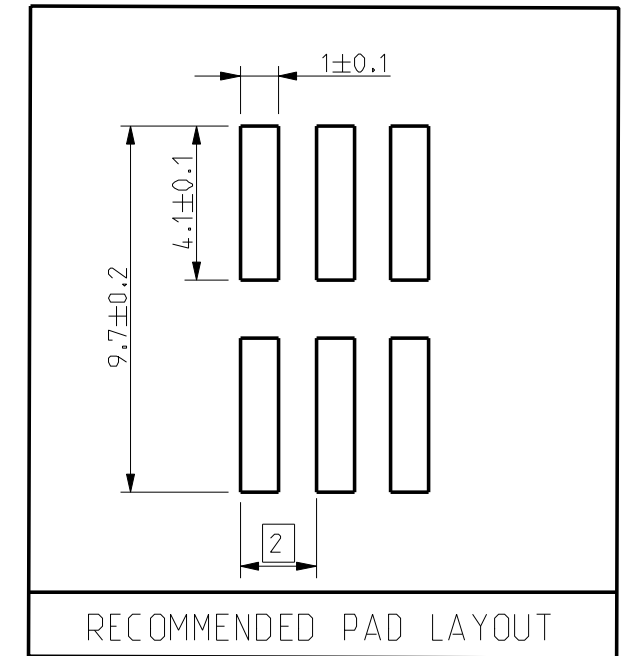
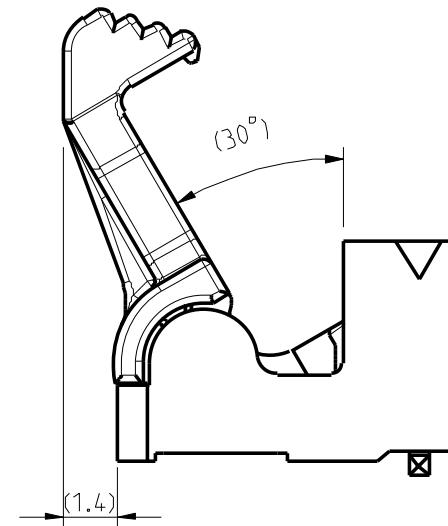


- NOTES :
- 1- MATERIAL HOUSING : HIGH TEMPERATURE THERMOPLASTIC UL 94 VO, COLOR CREAM.
  - MATERIAL LATCH: HIGH TEMPERATURE THERMOPLASTIC UL 94 VO, COLOR BLACK.
  - 2- MATERIAL TERMINAL : COPPER ALLOY
  - 3- PIN RETENTION IN EITHER DIRECTION : 7N MIN
  - 4- PACKAGING  
 U= TUBE WITHOUT PICK UP CAP .  
 A= TAPE & REEL WITH PICK UP CAP.
  - 5- ROHS COMPATIBLE PRODUCT SPECIFICATIONS :  
 a- PLATING :  
 LF MEANS THE PRODUCT IS LEAD FREE  
 2 μm MATTE TIN MIN ON TAIL OVER 1.27 μm NICKEL UNDERPLATE.
  - b- MANUFACTURING PROCESS COMPATIBILITY  
 THE HOUSING WILL WITHSTAND EXPOSURE TO 260 °C PEAK TEMPERATURE FOR 30 SECONDS MAX IN A CONVECTION, INFRA RED, VAPOR PHASE OR REFLOW OVEN.
  - c- LABELLING  
 MEETS PACKAGING SPECS AS PER GS-14-920.
  - d- THIS PRODUCT MEETS EUROPEAN DIRECTIVES AND OTHER CONTRY REGULATION AS DESCRIBED IN GS-47-0004

rev	ecn no	dr	date
A	F08-0110	LSA	08-01-16
B	B-19190	LMU	14-11-07
-	-	-	-
-	-	-	-
-	-	-	-
-	-	-	-

www.fciconnect.com		surface ISO 1302	-	tolerance std ISO 406	ISO 1101	projection mm	mm
		TOLERANCES UNLESS OTHERWISE SPECIFIED				←→	
Dr	NEBU PM	07-06-19	ANGULAR	0.X	±/	size	Scale
Eng	JM COMPAGNON	07-06-19	0° ±/°	0.XX	±/	A3	1:1
Chr	JM COMPAGNON	07-06-19	Product family	0.XXX	±/	ECN	B-19190
Appr	L. SAILLARD	07-06-19				Spec ref	-
FCI FILE		EJECT LATCH HEADER			dwg no	10078995	Rev.
		VERTICAL SMT					B
		catalog no				CUSTOMER	sheet 1 of 2

SIZE	POSITIONS	DIM A	DIM B
06	2x3	4.00	20.00
08	2x4	6.00	22.00
10	2x5	8.00	24.00
12	2x6	10.00	26.00
14	2x7	12.00	28.00
24	2x12	22.00	38.00
30	2x15	28.00	44.00
40	2x20	38.00	54.00
44	2x22	42.00	58.00
50	2x25	48.00	64.00

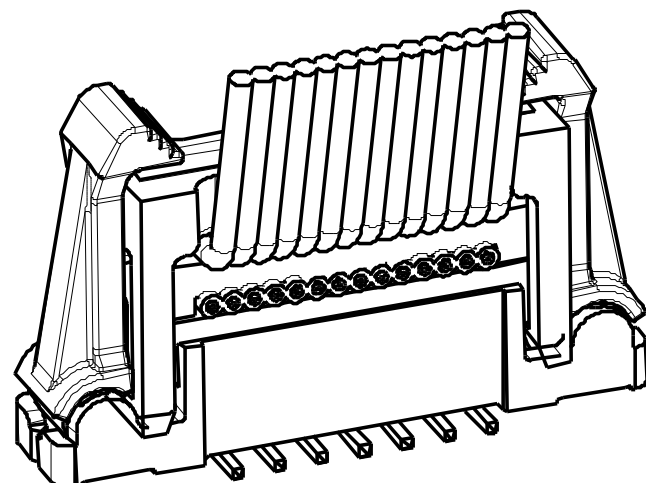


SECTION C-C

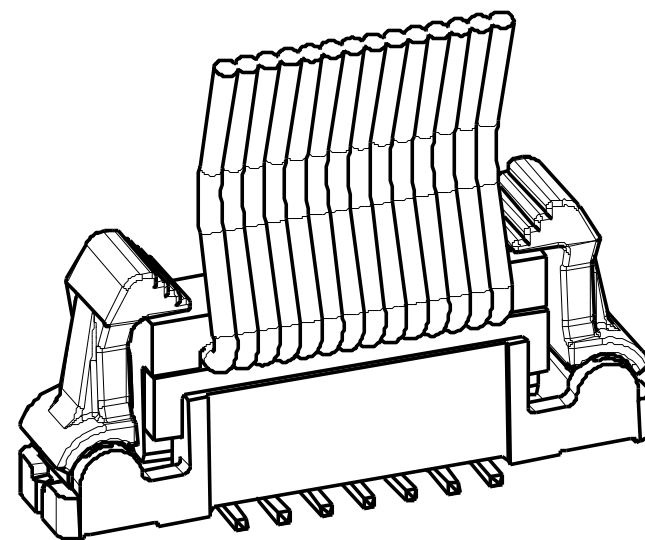
EXAMPLE 10078995-G02-14YLF  
LOW PROFILE LATCH

PRODUCT USED IN COMBINATION WITH IDC  
RECEPTACLE P/Ns 89361 & 89941

WITH STRAIN-RELIEF ACCESSORY  
- STANDARD LATCH -



WITHOUT STRAIN-RELIEF ACCESSORY  
- LOW PROFILE LATCH -



www.fciconnect.com		surface ISO 1302	- ✓	tolerance std ISO 406 ISO 1101	projection mm	mm
		TOLERANCES UNLESS OTHERWISE SPECIFIED			size A3	Scale 3:1
Dr	NEBU PM	07-06-19	ANGULAR	0.X	±/	ECN
Eng	JM COMPAGNON	07-06-19	LINEAR	0.XX	±/	B-19190
Chr	JM COMPAGNON	07-06-19	0° ±/°	0.XXX	±/	Spec ref
Appr	L. SAILLARD	07-06-19	Product family	-		
FCj FILE EJECT LATCH HEADER		dwg no		10078995		Rev. B
catalog no		-		CUSTOMER		sheet 2 of 2

# Mouser Electronics

Authorized Distributor

Click to View Pricing, Inventory, Delivery & Lifecycle Information:

## [FCI / Amphenol:](#)

<u><a href="#">10078995-G02-06BLF</a></u>	<u><a href="#">10078995-G02-08BLF</a></u>	<u><a href="#">10078995-G02-10BLF</a></u>	<u><a href="#">10078995-G02-12BLF</a></u>	<u><a href="#">10078995-G02-30ULF</a></u>
<u><a href="#">10078995-G01-30ULF</a></u>	<u><a href="#">10078995-G02-24ULF</a></u>	<u><a href="#">10078995-G01-40ULF</a></u>	<u><a href="#">10078995-G02-14ULF</a></u>	<u><a href="#">10078995-G01-12ULF</a></u>
<u><a href="#">10078995-G01-24ULF</a></u>	<u><a href="#">10078995-G01-06ULF</a></u>	<u><a href="#">10078995-G02-40ULF</a></u>	<u><a href="#">10078995-G02-06ULF</a></u>	<u><a href="#">10078995-G02-12ULF</a></u>
<u><a href="#">10078995-G02-50ULF</a></u>	<u><a href="#">10078995-G01-10ULF</a></u>	<u><a href="#">10078995-G02-44ULF</a></u>	<u><a href="#">10078995-G01-44ULF</a></u>	<u><a href="#">10078995-G01-50ULF</a></u>
<u><a href="#">10078995-G02-10ULF</a></u>	<u><a href="#">10078995-G01-08ULF</a></u>	<u><a href="#">10078995-G02-08ULF</a></u>	<u><a href="#">10078995-G01-14ULF</a></u>	<u><a href="#">10078995-G01-06BLF</a></u>
<u><a href="#">10078995-G01-08BLF</a></u>	<u><a href="#">10078995-G01-10BLF</a></u>	<u><a href="#">10078995-G01-12BLF</a></u>	<u><a href="#">10078995-G01-14BLF</a></u>	<u><a href="#">10078995-G01-24BLF</a></u>
<u><a href="#">10078995-G01-30BLF</a></u>	<u><a href="#">10078995-G01-40BLF</a></u>	<u><a href="#">10078995-G01-44BLF</a></u>	<u><a href="#">10078995-G01-50BLF</a></u>	<u><a href="#">10078995-G02-14BLF</a></u>
<u><a href="#">10078995-G02-24BLF</a></u>	<u><a href="#">10078995-G02-30BLF</a></u>	<u><a href="#">10078995-G02-40BLF</a></u>	<u><a href="#">10078995-G02-44BLF</a></u>	<u><a href="#">10078995-G02-50BLF</a></u>
<u><a href="#">10078995-G02-14ALF</a></u>				