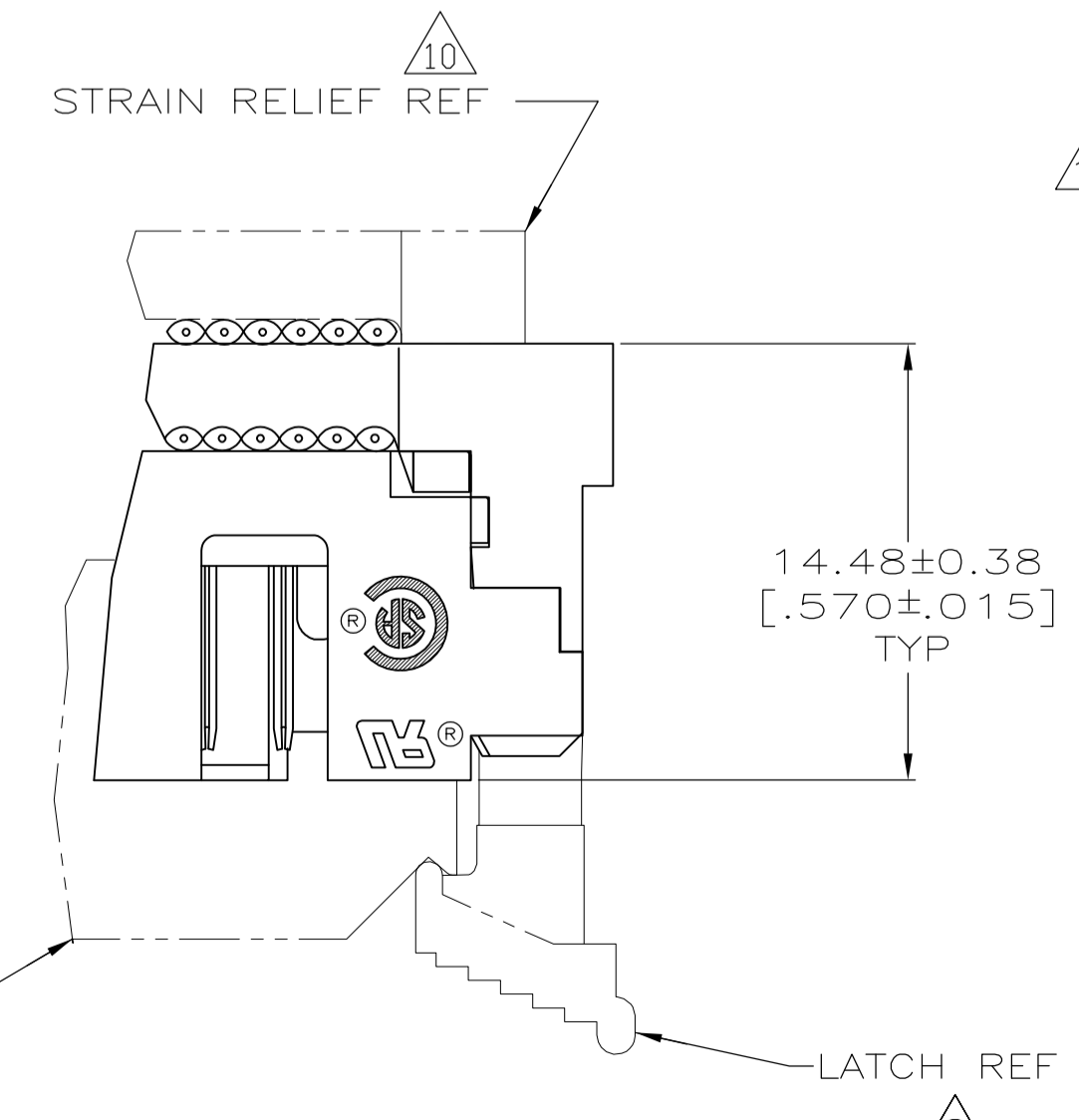
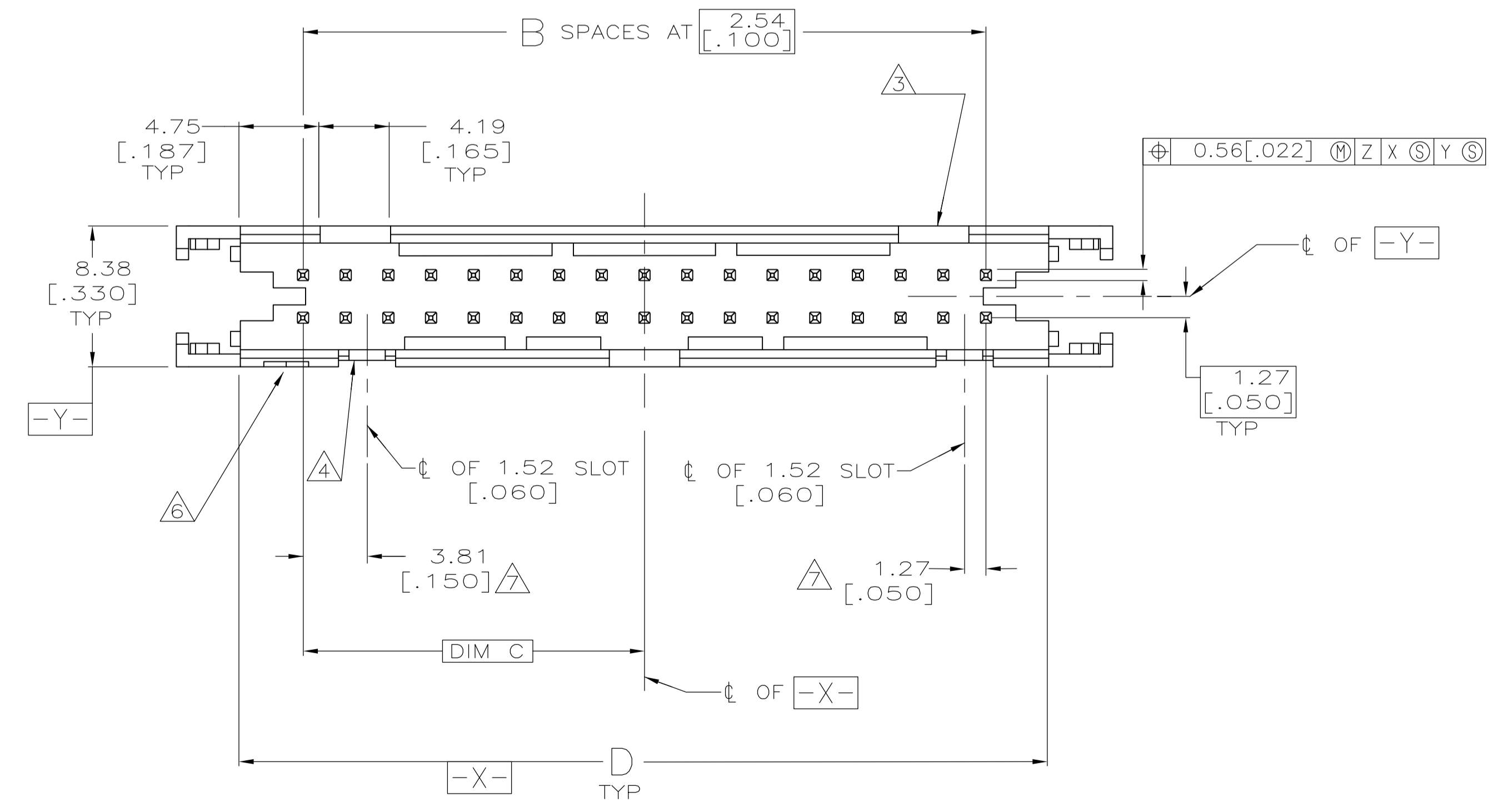
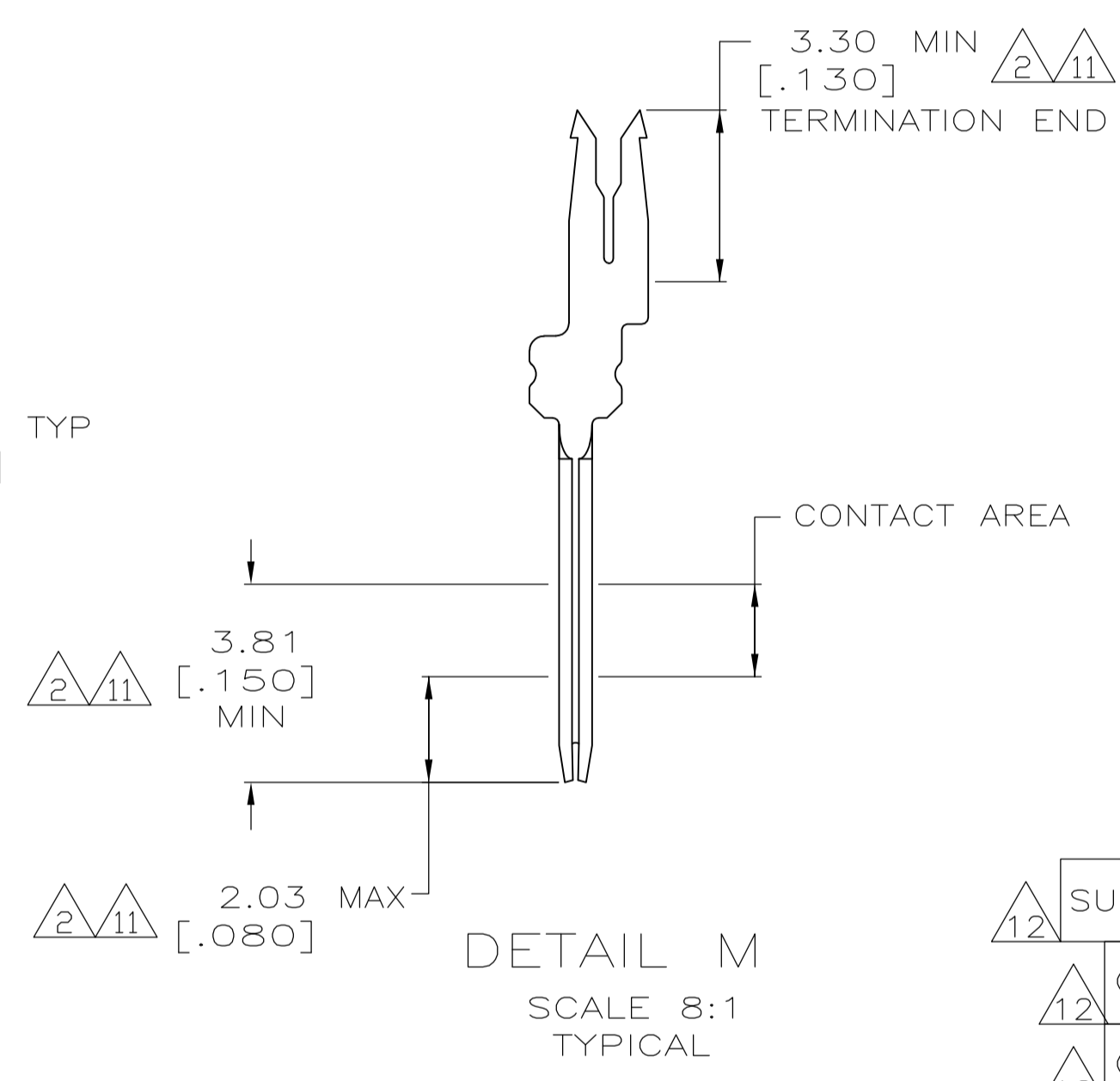
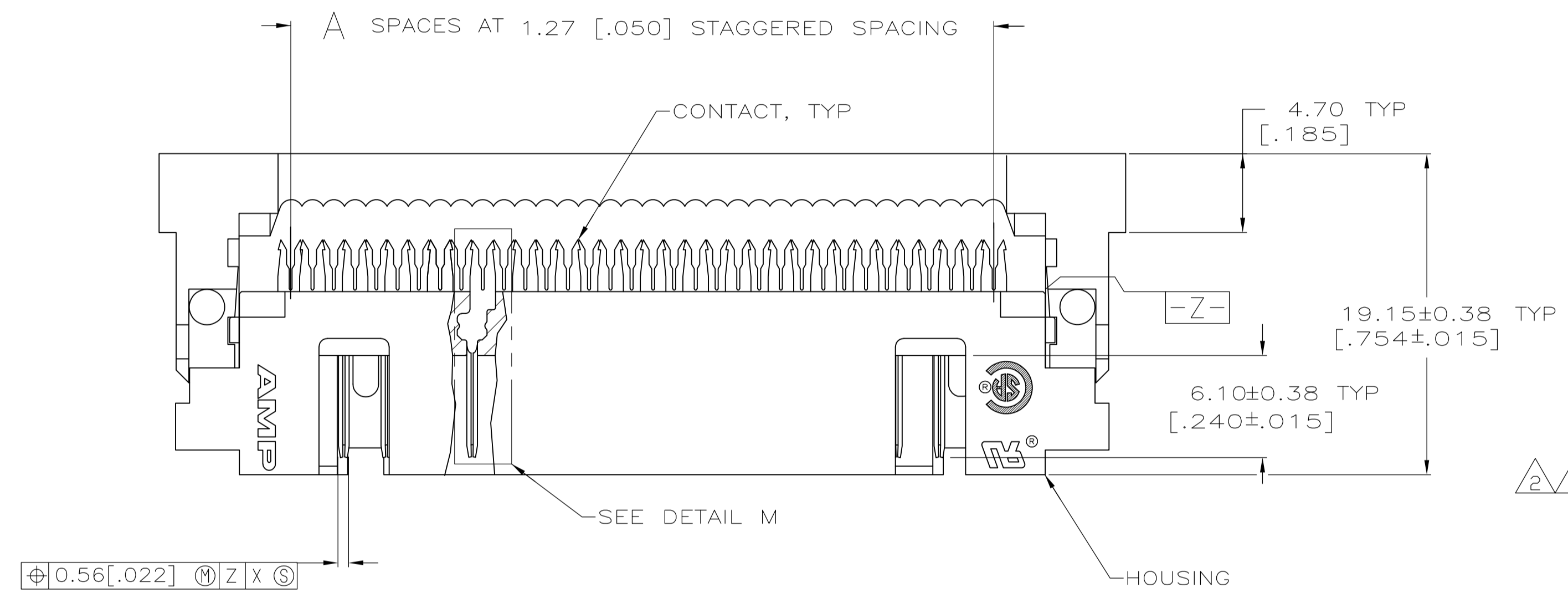
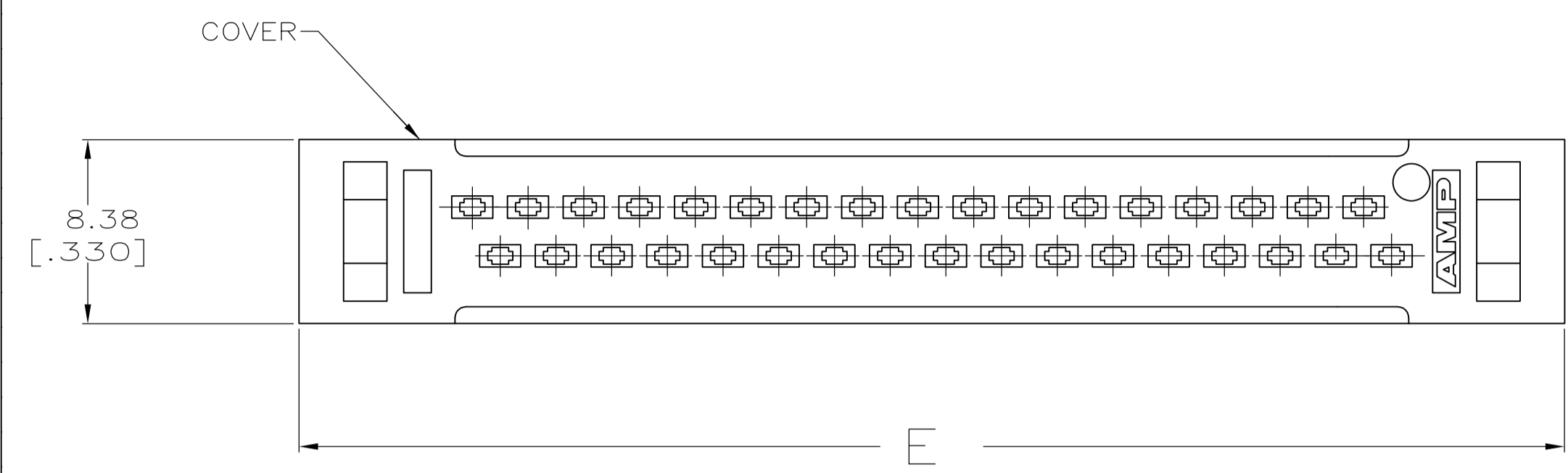


- 1 FLAME RETARDANT 94V-0 RATED THERMOPLASTIC; BLACK.
- 2 2.54µm [.000100] MIN MATTE TIN-LEAD ON TERMINATION END, 0.76µm [.000030] MIN GOLD ON CONTACT AREA, ALL OVER 1.27µm [.000050] MIN NICKEL.  
-OR-  
GOLD FLASH OVER PALLADIUM-NICKEL 0.76µm [.000030] TOTAL ON CONTACT AREA, 2.54µm [.000100] MIN BRIGHT TIN-LEAD ON TERMINATION END, ALL OVER 1.27µm [.000050] MIN NICKEL.
- 3 NO SLOT ON THIS END FOR TEN POSITION HOUSINGS.
- 4 NO SLOT FOR SNAP-IN POLARIZER ON THIS END FOR 10 AND 14 POSITION HOUSINGS.
- 5 FOR MILITARY POLARIZATION, ORDER SNAP-IN POLARIZER 499991-2 (BULK PACK OF 50).
- 6 POSITION NO 1 INDICATOR.
- 7 COORDINATE DIMENSION APPLIES FROM CENTER OF ACTUAL FEATURE.
- 8 FOR LATCHES ORDER 111451, 2 PER ASSEMBLY.
- 9 PHOSPHOR BRONZE PER QQ-B-750.

- 10 STRAIN RELIEF 111547 MUST BE ORDERED SEPARATELY.
- 11 2.54µm [.000100] MIN MATTE TIN ON TERMINATION END, 0.76µm [.000030] MIN GOLD ON CONTACT AREA, ALL OVER 1.27µm [.000050] MIN NICKEL.  
-OR-  
GOLD FLASH OVER PALLADIUM-NICKEL 0.76µm [.000030] TOTAL ON CONTACT AREA, 2.54µm [.000100] MIN MATTE TIN ON TERMINATION END, ALL OVER 1.27µm [.000050] MIN NICKEL.
- 12 OBSOLETE PARTS: OBSOLETE CIS STREAMLINING PER D. RENAUD/D. SINISI.



REV	DESCRIPTION	DATE	DMN	APVD	NO OF POSN	PART NUMBER
11					31	2-111446-6
11					29	2-111446-5
11					21	2-111446-4
11					19	2-111446-3
11					16	2-111446-2
11					14	2-111446-1
11					12	2-111446-0
11					11	1-111446-9
11					9	1-111446-8
11					24	1-111446-7
11					7	1-111446-6
11					6	1-111446-5
11					4	1-111446-4
12	SUPERCEDED				31	<del>1-111446-3</del>
12	OBSOLETE				29	1-111446-2
12	OBSOLETE				24	1-111446-1
12	OBSOLETE				21	1-111446-0
12	OBSOLETE				19	111446-9
12	OBSOLETE				16	111446-8
12	SUPERCEDED				14	<del>111446-7</del>
12	OBSOLETE				12	111446-6
12	OBSOLETE				11	111446-5
12	OBSOLETE				9	111446-4
12	OBSOLETE				7	111446-3
12	OBSOLETE				6	111446-2
12	OBSOLETE				4	111446-1

CONTACT FINISH	E	D	C	B	A	NO OF POSN	PART NUMBER

THIS DRAWING IS A CONTROLLED DOCUMENT.		DIN H MOLL 7-11-90	 TE Connectivity
DIMENSIONS: mm [INCHES]		8-1-90	
TOLERANCES UNLESS OTHERWISE SPECIFIED:		F.M. HEINRY	NAME: D. HOFFMAN PRODUCT SPEC: 108-1336 APPLICATION SPEC: 114-7011
0 PLC ± -		8-3-90	
1 PLC ± ± 0.13[.005]			UNIV I/O PIN CONN, WITHOUT MOUNTING EARS, AMP-LATCH™
2 PLC ± ± ± -			SIZE: A1
3 PLC ± ± ± -			CAGE CODE: 00779
4 PLC ± ± ± -			DRAWING NO: 111446
ANGLES ± ± ± -			RESTRICTED TO: -
MATERIAL: 1 9			WEIGHT: -
FINISH: CONTACTS: SEE TABLE			SCALE: 4:1
			SHEET 1 OF 1
			REV R

# Mouser Electronics

Authorized Distributor

Click to View Pricing, Inventory, Delivery & Lifecycle Information:

[TE Connectivity:](#)

[2-111446-1](#)