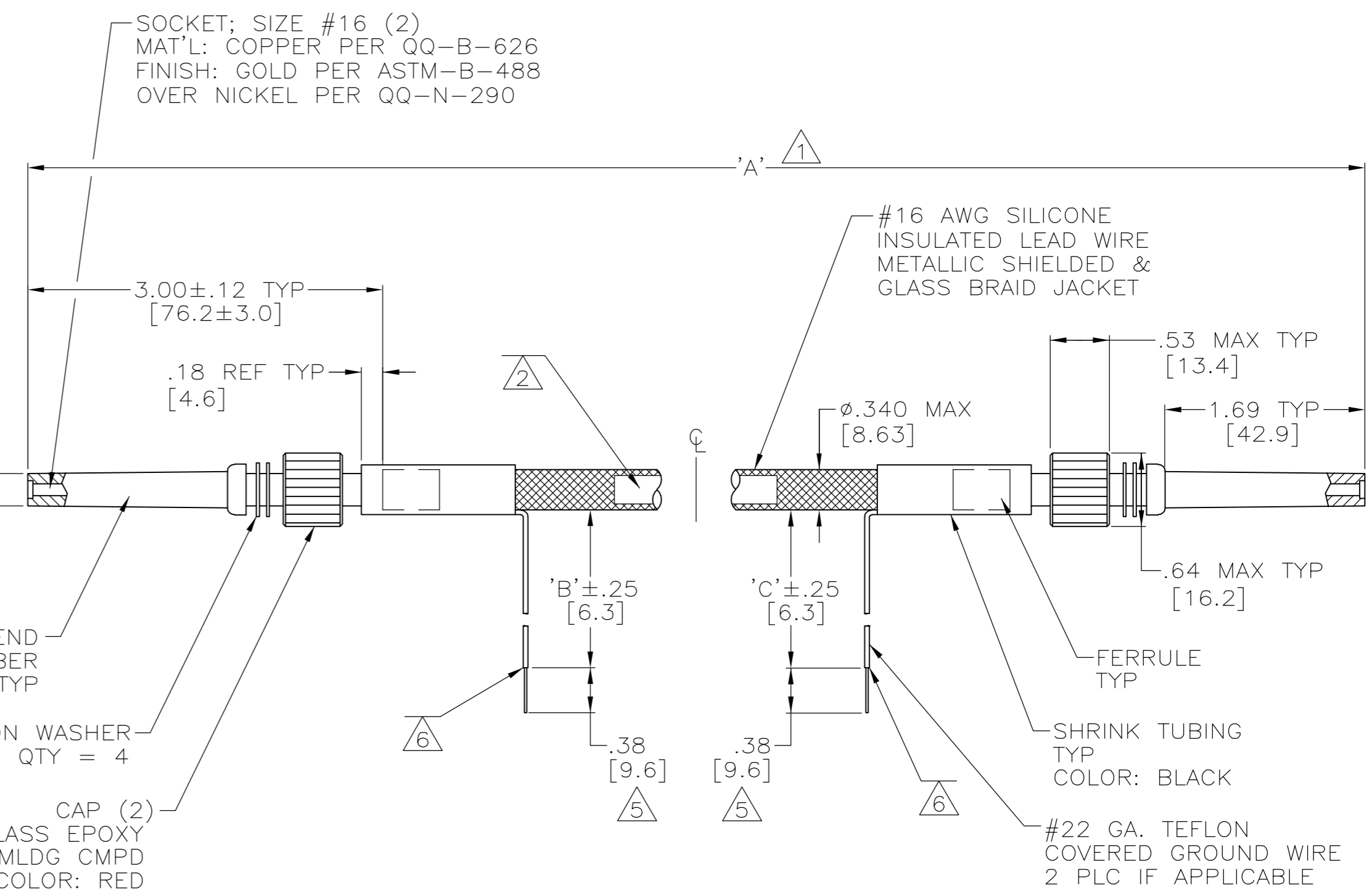


THIS DRAWING IS UNPUBLISHED. RELEASED FOR PUBLICATION - N/A .
 © COPYRIGHT N/A BY TYCO ELECTRONICS CORPORATION. ALL RIGHTS RESERVED.

LOC		DIST		REVISIONS			
DF	SO	P	LTR	DESCRIPTION	DATE	DWN	APVD
		U		REV PER ECO-05-002582	06-05	AA	DE

PART NO.	A		B		C	REMARKS
849616-1	96.00	[2438.4]	-	-	-	OBSOLETE
849616-2	72.00	[1828.8]	-	-	-	OBSOLETE
849616-3	348.00	[8839.2]	6.00	[152.4]	-	OBSOLETE
849616-4	246.00	[6248.4]	6.00	[152.4]	-	OBSOLETE
849616-5	360.00	[9144.0]	6.00	[152.4]	-	OBSOLETE
849616-6	300.00	[7620.0]	8.00	[203.2]	8.00 [203.2]	OBSOLETE
849616-7	12.00	[304.8]	6.00	[152.4]	-	⑤
849616-8	120.00	[3048.0]	8.00	[203.2]	8.00 [203.2]	OBSOLETE
849616-9	144.00	[3657.6]	8.00	[203.2]	8.00 [203.2]	OBSOLETE
1-849616-0	36.00	[914.4]	8.00	[203.2]	8.00 [203.2]	
1-849616-1	96.00	[2438.4]	8.00	[203.2]	8.00 [203.2]	OBSOLETE
1-849616-2	96.00	[2438.4]	-	-	-	OBSOLETE
1-849616-3	72.00	[1828.8]	12.00	[304.8]	12.00 [304.8]	OBSOLETE
1-849616-4	180.00	[4572.0]	8.00	[203.2]	8.00 [203.2]	OBSOLETE
1-849616-5	18.00	[457.2]	12.00	[304.8]	12.00 [304.8]	OBSOLETE
1-849616-6	8.50	[215.9]	12.00	[304.8]	12.00 [304.8]	OBSOLETE
1-849616-7	1440.00	[36576.0]	12.00	[304.8]	12.00 [304.8]	OBSOLETE
1-849616-8	720.00	[18288.0]	12.00	[304.8]	12.00 [304.8]	OBSOLETE
1-849616-9	900.00	[22860.0]	12.00	[304.8]	12.00 [304.8]	OBSOLETE
2-849616-0	1080.00	[27432.0]	12.00	[304.8]	12.00 [304.8]	OBSOLETE
2-849616-1	30.00	[762.0]	12.00	[304.8]	12.00 [304.8]	OBSOLETE
2-849616-2	60.00	[1524.0]	12.00	[304.8]	12.00 [304.8]	⑤
2-849616-3	128.00	[3251.2]	12.00	[304.8]	12.00 [304.8]	⑤
2-849616-4	134.00	[3403.6]	12.00	[304.8]	12.00 [304.8]	OBSOLETE
2-849616-5	132.00	[3352.8]	12.00	[304.8]	12.00 [304.8]	OBSOLETE
2-849616-6	120.00	[3048.0]	12.00	[304.8]	12.00 [304.8]	OBSOLETE
2-849616-7	101.00	[2565.4]	12.00	[304.8]	12.00 [304.8]	OBSOLETE
2-849616-8	150.00	[3810.0]	12.00	[304.8]	12.00 [304.8]	OBSOLETE
2-849616-9	20.00	[508.0]	8.00	[203.2]	-	OBSOLETE
3-849616-0	24.00	[609.6]	6.00	[152.4]	6.00 [152.4]	⑤
7-849616-2	60.00	[1524.0]	12.00	[304.8]	12.00 [304.8]	⑥

- ① TOLERANCE OF LEAD LENGTH:
UP TO 24 INCHES [609.6] = ±.12 [3.0]
24 INCHES [609.6] & UP = 1%
- ② MARKED PER MIL-STD-130.
- 3. TO MATE WITH AMP LGH-1L RECEPTACLE WITH 1.69 [42.9] BARREL DEPTH.
- 4. OPERATING VOLTAGE: 25 KVDC AT 0 TO 70,000 FEET, -55°C TO 125°C.
- ⑤ PIGTAIL SOLDER DIPPED.
- ⑥ INSULATION CUT TO LENGTH, BUT NOT REMOVED.



THIS DRAWING IS A CONTROLLED DOCUMENT.		DWN	C.C.THOMAS	25-MAR-90	 Tyco Electronics Corporation Harrisburg, Pa 17105-3608							
DIMENSIONS: INCHES		CHK	D. EABY	28-MAR-90								
TOLERANCES UNLESS OTHERWISE SPECIFIED:		APVD	D. EABY	28-MAR-90								
0 PLC ± - 1 PLC ± - 2 PLC ± .02 [0.5] 3 PLC ± - 4 PLC ± - ANGLES ± - FINISH SEE CALLOUTS		NAME	LEAD ASSEMBLY DBL END, LGH-1L SHIELDED & GLASS BRAID									
MATERIAL SEE CALLOUTS	FINISH SEE CALLOUTS	APPLICATION SPEC	-		SIZE	A2	CAGE CODE	00779	DRAWING NO	C=849616	RESTRICTED TO	-
CUSTOMER DRAWING		WEIGHT	-		SCALE	1:1	SHEET	1	OF	1	REV	U

Mouser Electronics

Authorized Distributor

Click to View Pricing, Inventory, Delivery & Lifecycle Information:

[TE Connectivity:](#)

[2-849616-3](#)