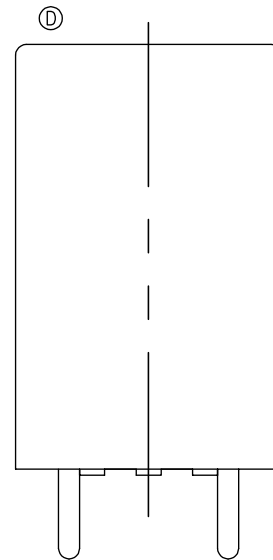
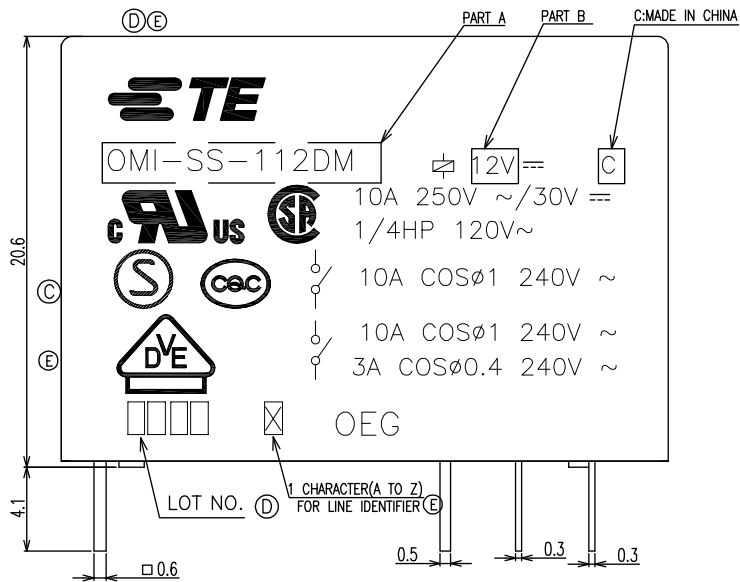
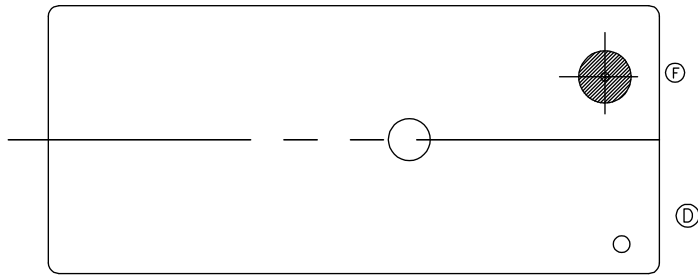
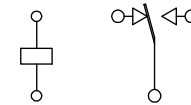


THIS DRAWING IS UNPUBLISHED. RELEASED FOR PUBLICATION -,-
 © COPYRIGHT - By - ALL RIGHTS RESERVED.

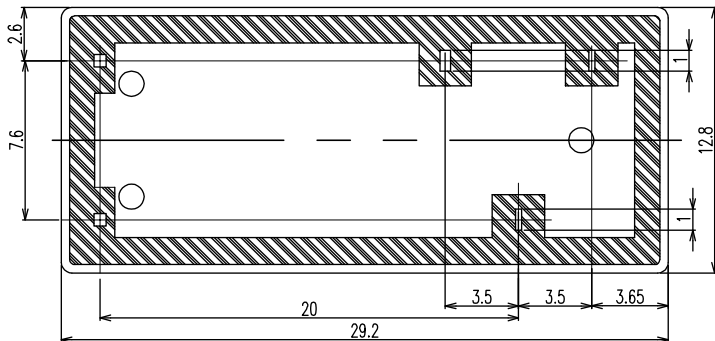
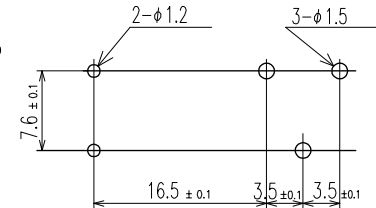
P	LTR	DESCRIPTION	DATE	DWN	APVD
E		CHANGE LODO, VENT HOLE; ADD CQC, LINE IDENTIFIER, PLATING THICKNESS ECO-12-005725	20AUG12	D.L	BH.Y
F		CHANGE THE VENT HOLE SHAPE FROM RECTANGLE TO CIRCLE ONE ECO-13-015347	16-DEC-13	XL,Y	B,F



CONNECTION DIAGRAM (BOTTOM VIEW)



DRILLING DIAGRAM(2/1) (BOTTOM VIEW)

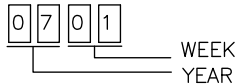


THIS DRAWING IS A CONTROLLED DOCUMENT.		DWN H.SASAKI	TE Connectivity			
DIMENSIONS: mm		CHK Y.OIKAWA				NAME
		APVD A.NAGAI	OMI-1T 300 CUSTOMER DRAWING			
TOLERANCES UNLESS OTHERWISE SPECIFIED:		PRODUCT SPEC	SIZE	CAGE CODE	DRAWING NO	RESTRICTED TO
0 PLC ±-		APPLICATION SPEC	A3	00779	C=3-1440000-4	-
1 PLC ±-		WEIGHT	CUSTOMER DRAWING			SCALE 4:1
2 PLC ±-						SHEET 1 of 2
3 PLC ±-						REV F
4 PLC ±-						
ANGLES ±-						
FINISH						

THIS DRAWING IS UNPUBLISHED. RELEASED FOR PUBLICATION
 © COPYRIGHT - By - ALL RIGHTS RESERVED.

LOC	DIST	REVISIONS					
HB	-	P	LTR	DESCRIPTION	DATE	DWN	APVD

- NOTES:
 1. -SH- : WASHABLE TYPE
 2. LOT NO. SYSTEM AS FOLLOWING:



3. GENERAL TOLERANCE AS FOLLOWING:

TOLERANCE	
0~0.99mm	±0.1
1mm~2.99mm	±0.2
3mm MIN.	±0.3

- ④⑤ 4. FOR THE TIN-PLATING OF THE PINS:
 +0.1mm FOR WIDTH, THICKNESS AND DIAMETER.
 +0.5mm FOR LENGTH.

4-1440000-5	OMI-SH-148L	48V	OMI-SH-148L
4-1440000-2	OMI-SH-124D	24V	OMI-SH-124D
3-1440000-5	OMI-SH-105L	5V	OMI-SH-105L
3-1440000-4	OMI-SH-105D	5V	OMI-SH-105D
PART NO	DESCRIPTION	PART B	PART A

RELAY TYPE

		UV RESIN	UV SEAL	18
		EPOXY RESIN	SEAL	17
UL94 V-0		PBT	CASE	16
		-	TAPE	15
CLASS E		UEW	MAGNETIC WIRE	14
UL94 V-0		PET	BASE	13
UL94 V-0		PBT	BOBBIN	12
	SOLDER DIP	CP WIRE	COIL TERMINAL	11
UL94 V-0		PPS	CARD	10
		Ag ALLOY	MOVABLE CONTACT	9
		Ag ALLOY	STATIONARY CONTACT	8
		Cu ALLOY	HINGE SPRING	7
	SOLDER DIP	Cu ALLOY	B TERMINAL	6
	SOLDER DIP	Cu ALLOY	M TERMINAL	5
	SOLDER DIP	Cu ALLOY	MOVABLE SPRING	4
		STEEL	CORE	3
		STEEL	ARMATURE	2
		STEEL	YOKE	1
INCOMBUSTIBILITY	TREATMENT	MATERIAL	DESCRIPTION	ITEM

THIS DRAWING IS A CONTROLLED DOCUMENT.		DWN H.SASAKI				
DIMENSIONS: mm		CHK Y.OIKAWA				
	TOLERANCES UNLESS OTHERWISE SPECIFIED: 0 PLC ± - 1 PLC ± - 2 PLC ± - 3 PLC ± - 4 PLC ± - ANGLES ± -	APVD A.NAGAI	NAME			
		MATERIAL	FINISH	OMI-1T 300 CUSTOMER DRAWING		
		PRODUCT SPEC	SIZE	CAGE CODE	DRAWING NO	RESTRICTED TO
		APPLICATION SPEC	A3	00779	C=3-1440000-4	
		WEIGHT	CUSTOMER DRAWING			SCALE 4:1
						SHEET 2 of 2
						REV F

Mouser Electronics

Authorized Distributor

Click to View Pricing, Inventory, Delivery & Lifecycle Information:

[TE Connectivity:](#)

[OMI-SH-124D,300](#)