

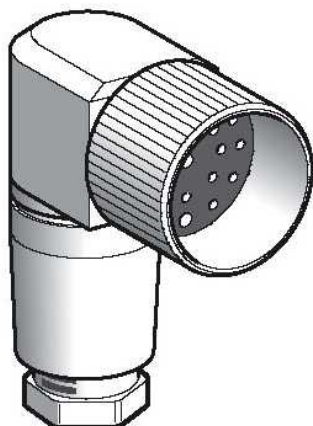
Product data sheet

Characteristics

XZCC23FCM190S

female, M23, 19-pin, elbowed connector - cable gland Pg 13.5

Product availability: Non-Stock - Not normally stocked in distribution facility



Main

Commercial Status	Commercialised
Accessory / separate part category	Cabling accessories
Accessory / separate part type	Connector
Electrical connection	Elbowed female connector M23, 19 pins
Collar material	Metal
Status LED	Without
Cable connection	Solder terminal / wire size $\leq 0 \text{ in}^2 (1 \text{ mm}^2)$ / clamping capacity 0.35...0.47 in (9...12 mm)

Complementary

Cable gland type	Pg 13.5
Cable connector fixing	Screw-on
[Ue] rated operational voltage	75 V DC 60 V AC
[In] rated current	7.5 A
Enclosure material	Metal
Insulating resistance	$> 10000000 \text{ G}\Omega$
Contact resistance	$\leq 5000 \mu\text{Ohm}$
Product weight	0.33 lb(US) (0.15 kg)

Environment

IP degree of protection	IP65
Ambient air temperature for operation	-13...230 °F (-25...110 °C)

Ordering and shipping details

Category	22483 - MACHINE CABLES
Discount Schedule	DS3
GTIN	003389110833911
Nbr. of units in pkg.	1
Package weight(Lbs)	0.32
Product availability	Non-Stock - Not normally stocked in distribution facility
Returnability	N
Country of origin	DE

Offer Sustainability

Sustainable offer status	Not Green Premium product
RoHS	Will be Compliant on 4Q2013

Contractual warranty

Period	18 months
--------	-----------

Mouser Electronics

Authorized Distributor

Click to View Pricing, Inventory, Delivery & Lifecycle Information:

[Schneider Electric:](#)

[XZCC23FCM190S](#)