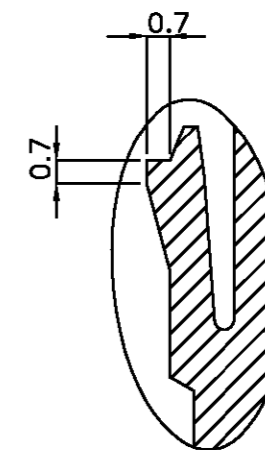
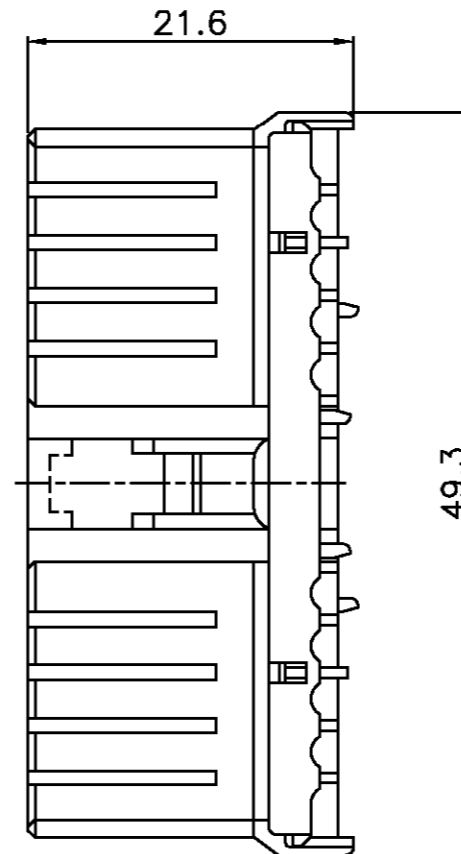
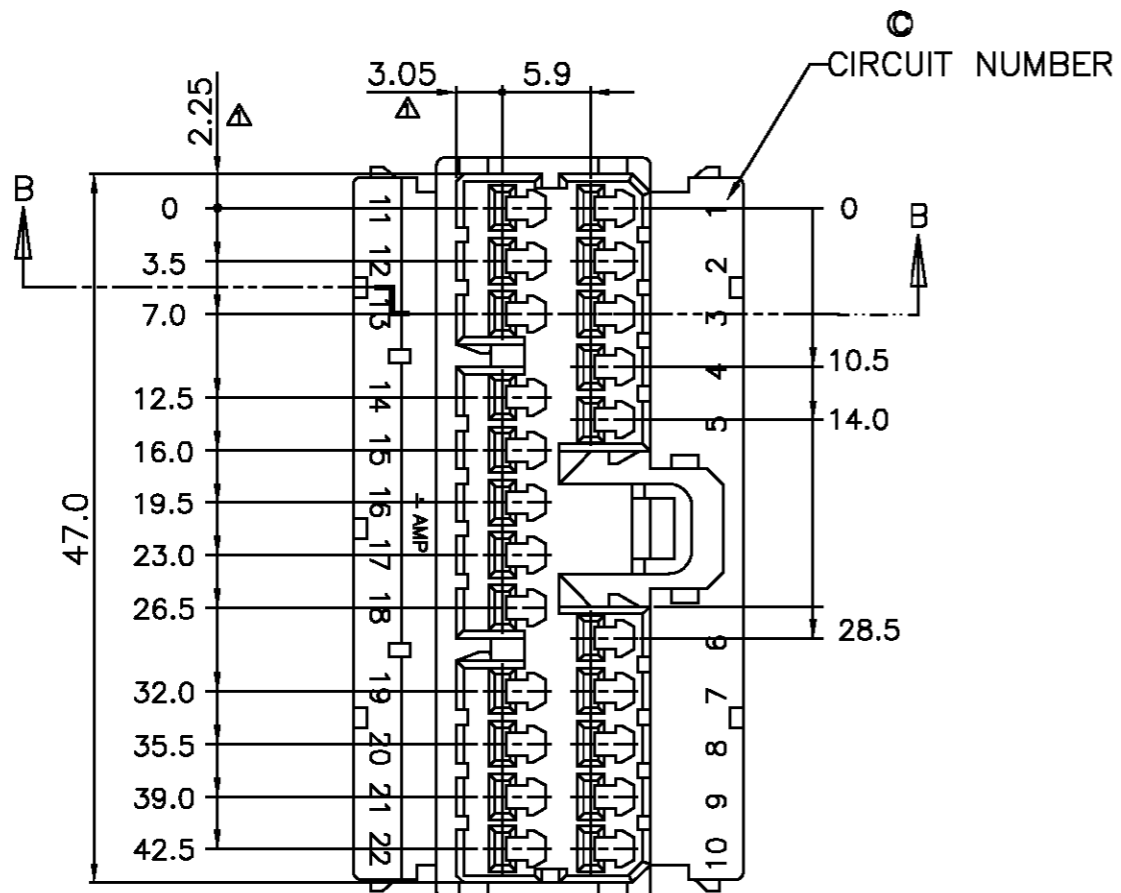


| P | LTR | DESCRIPTION | DATE | DWN | APVD |
|---|-----|-----------------------|------------|-----|------|
| | O | RELEASED(RD96-366) | 23/NOV/'96 | YJ | JK |
| | A | REVISED(FC00-0070-01) | 23/JUN/'01 | MS | CS |
| | B | REVISED(FC00-0028-03) | 21/MAR/'03 | MS | CS |
| | C | REVISED(FC00-0140-04) | 01/JUL/'04 | JG | CS |

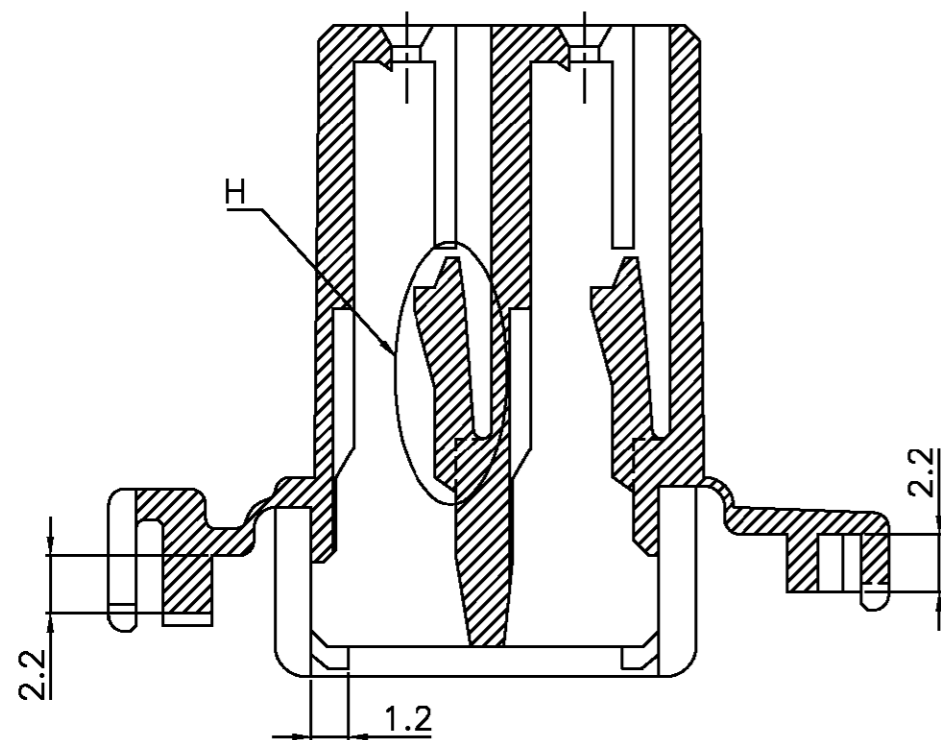


DETAIL H

NOTES

- △ TO BE MEASURE BETWEEN [Z] AND 2.
- APPLIED CONTACT P/N: 173630,173631,85098
- TO BE MATED WITH CAP HSG SMOOTHLY
- APPLIED CAP HSG P/N: 85097
- CURRENT RATING: 10A MAX

| ⊕ | P/N | MATERIAL | COLOR |
|---|---------|----------|--------|
| ⊕ | 85096-7 | P.B.T | YELLOW |
| ⊕ | 85096-1 | P.B.T | WHITE |



SECTION B-B (SCALE:5/1)

| | | | |
|----------------------|--|---|--|
| DIMENSIONS: mm | | TOLERANCES UNLESS OTHERWISE SPECIFIED: 0 <XX<10 ± 0.2 10 <XX<30 ± 0.25 30 <XX ± 0.3 ANGLES ± 3' | |
| 3rd ANGLE PROJECTION | | FINISH | |
| MATERIAL SEE TABLE | | WEIGHT | |

| | | | | | |
|------------------|--|-------------------------|-----------|-------------------------------|---------------|
| DWN JG MOON | | tyco Electronics | | AMP KOREA. kyungsan, korea | |
| CHK BM JANG | | NAME | | .070 MLC 22P PLUG HSG. | |
| APVD CS LEE | | SIZE | CAGE CODE | DRAWING NO | RESTRICTED TO |
| PRODUCT SPEC | | A3 | 00779 | C= 85096 | |
| APPLICATION SPEC | | SCALE 2/1 | | SHEET 1 OF 1 | REV C |

Mouser Electronics

Authorized Distributor

Click to View Pricing, Inventory, Delivery & Lifecycle Information:

[TE Connectivity:](#)

[85096-1](#)