

4

3

2

1

THIS DRAWING IS UNPUBLISHED. RELEASED FOR PUBLICATION
 © COPYRIGHT - By - ALL RIGHTS RESERVED.

LOC	DIST	REVISIONS			
P	LTR	DESCRIPTION	DATE	DWN	APVD
FT	0	P			
		P	REVISED PER ECO-11-005027	11MAR11	RK HMR

D

D

C

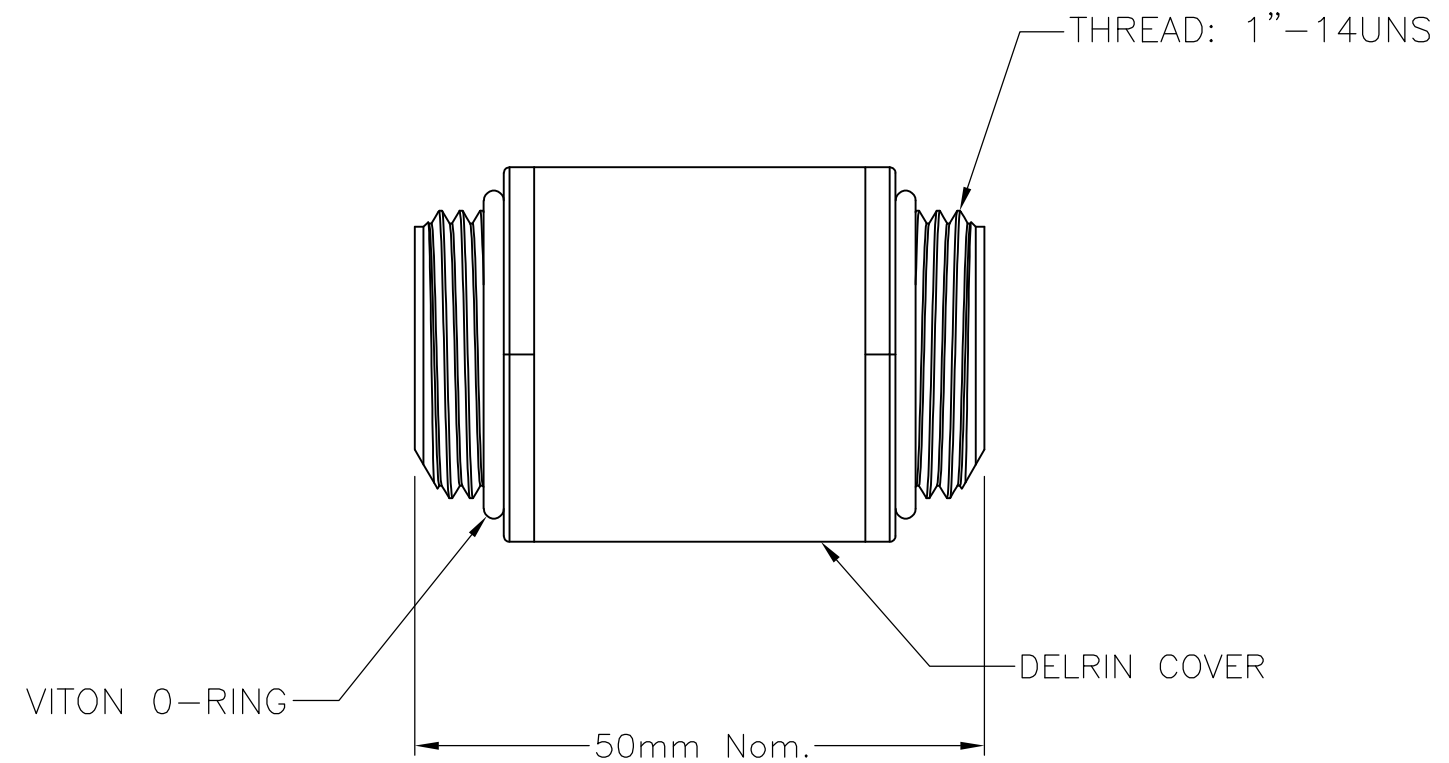
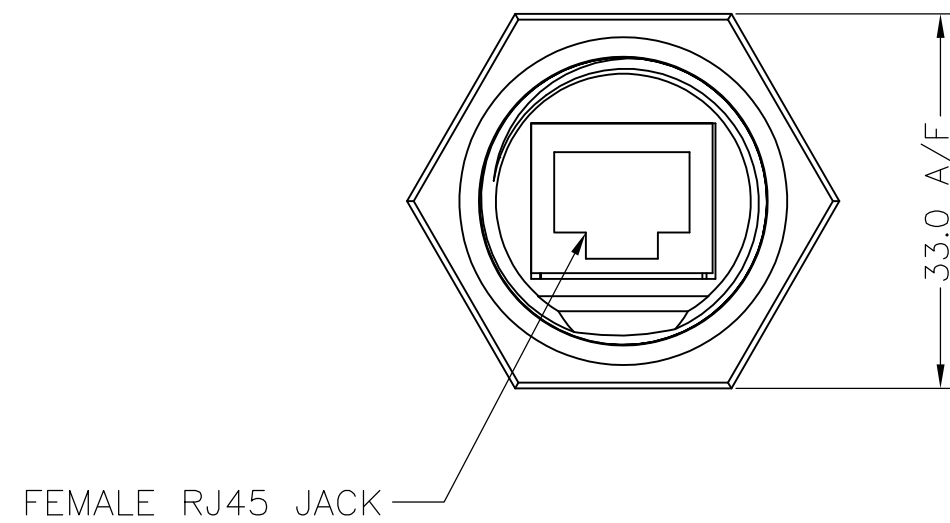
C

B

B

A

A



THIS DRAWING IS A CONTROLLED DOCUMENT.		DWN	S SCHLEGEL	08APR2003	STE TE Connectivity	
DIMENSIONS: mm		CHK	H WAKEEM	4/8/03		
TOLERANCES UNLESS OTHERWISE SPECIFIED:		APVD	H WAKEEM	4/8/03	NAME	
0 PLC ± -		PRODUCT SPEC		RJ-LNXX FEMALE TO FEMALE ADAPTOR		
1 PLC ± -		APPLICATION SPEC		-		
2 PLC ± -		WEIGHT		-		
3 PLC ± -		SIZE		A3	CAGE CODE	00779
4 PLC ± -		DRAWING NO		G-1546574		RESTRICTED TO
ANGLES ± -		CUSTOMER DRAWING		SCALE		NTS
FINISH		SHEET		1 OF 1		REV
-		-		-		P

Mouser Electronics

Authorized Distributor

Click to View Pricing, Inventory, Delivery & Lifecycle Information:

[TE Connectivity:](#)

[1546574-1](#)