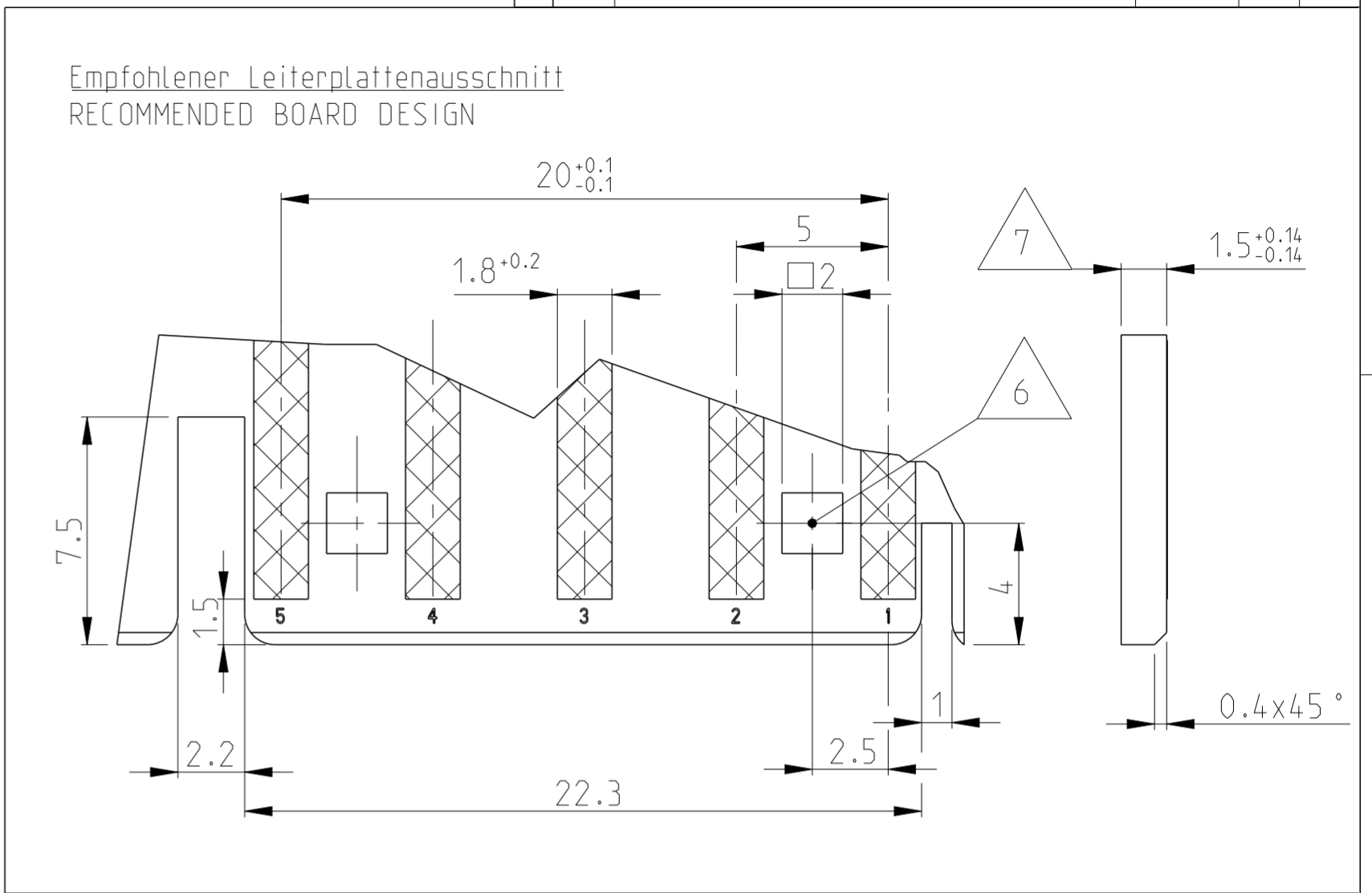
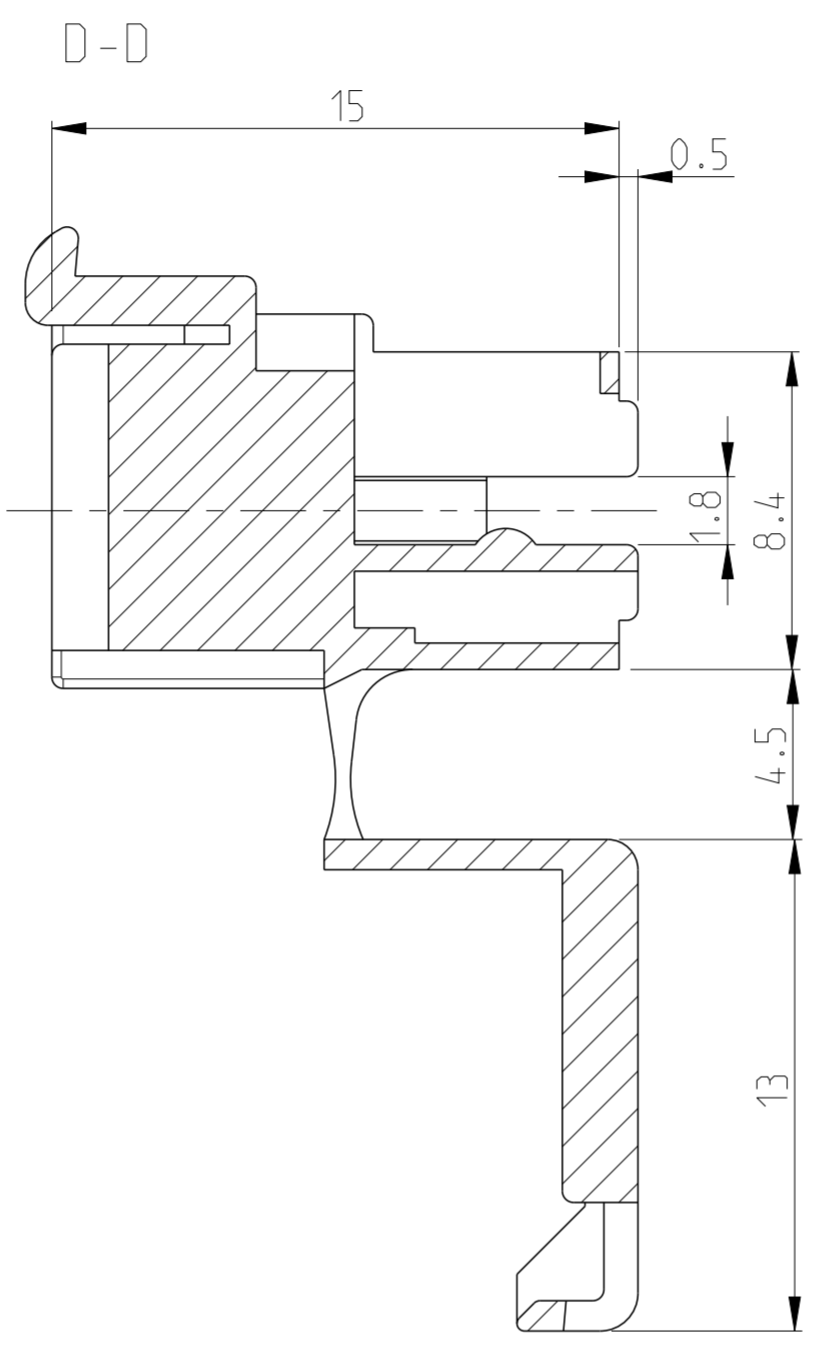
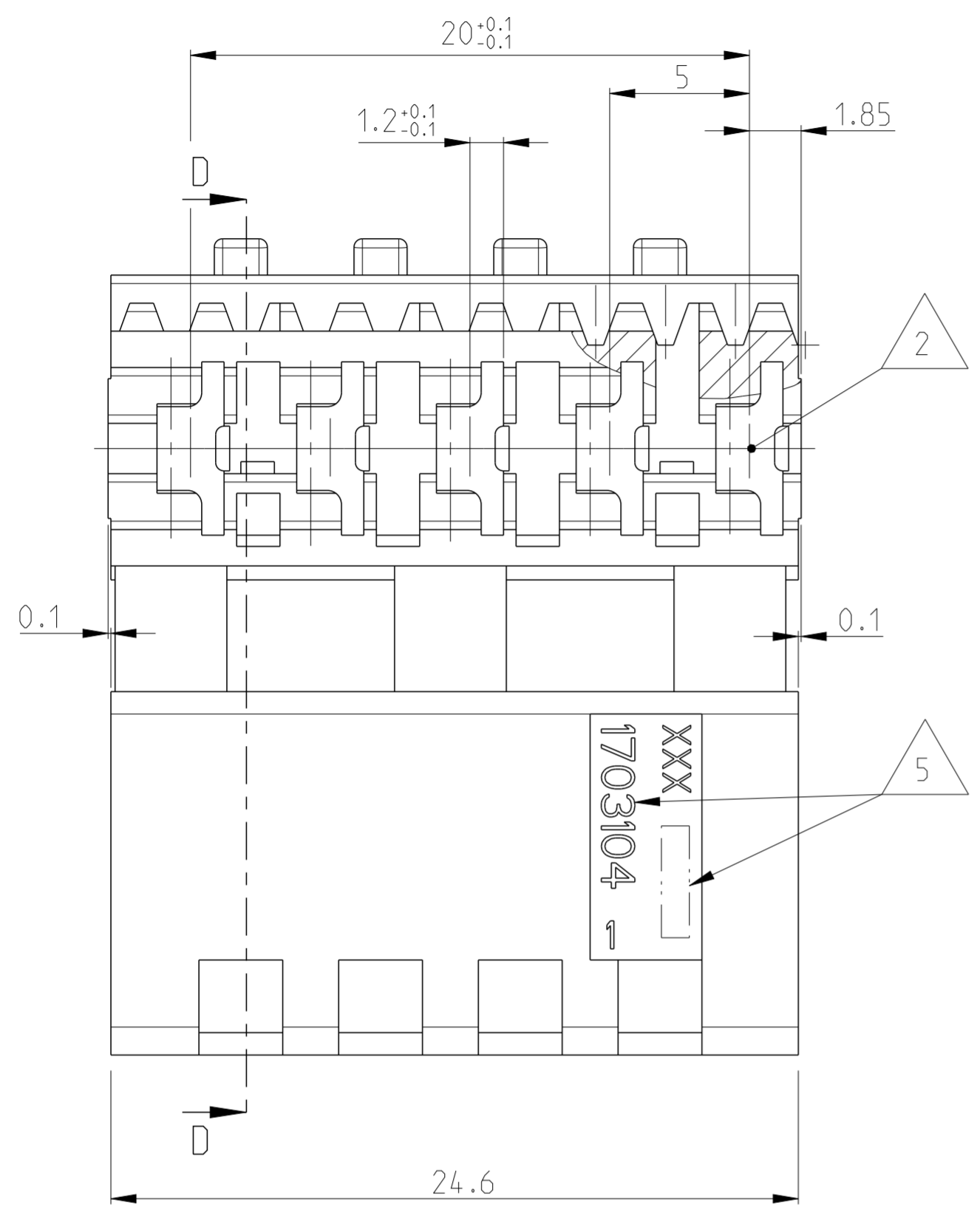
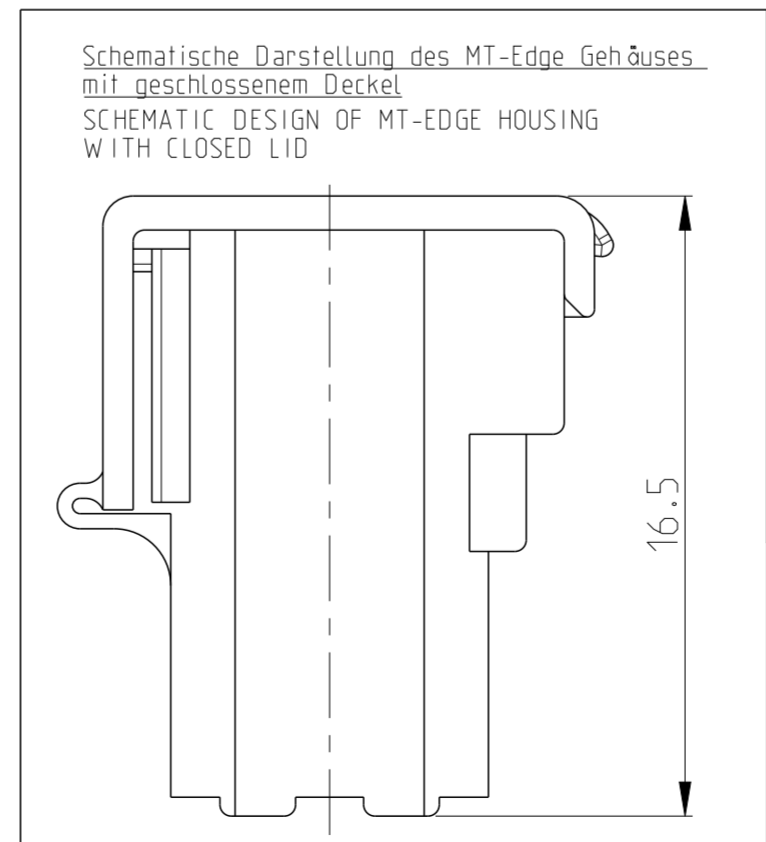
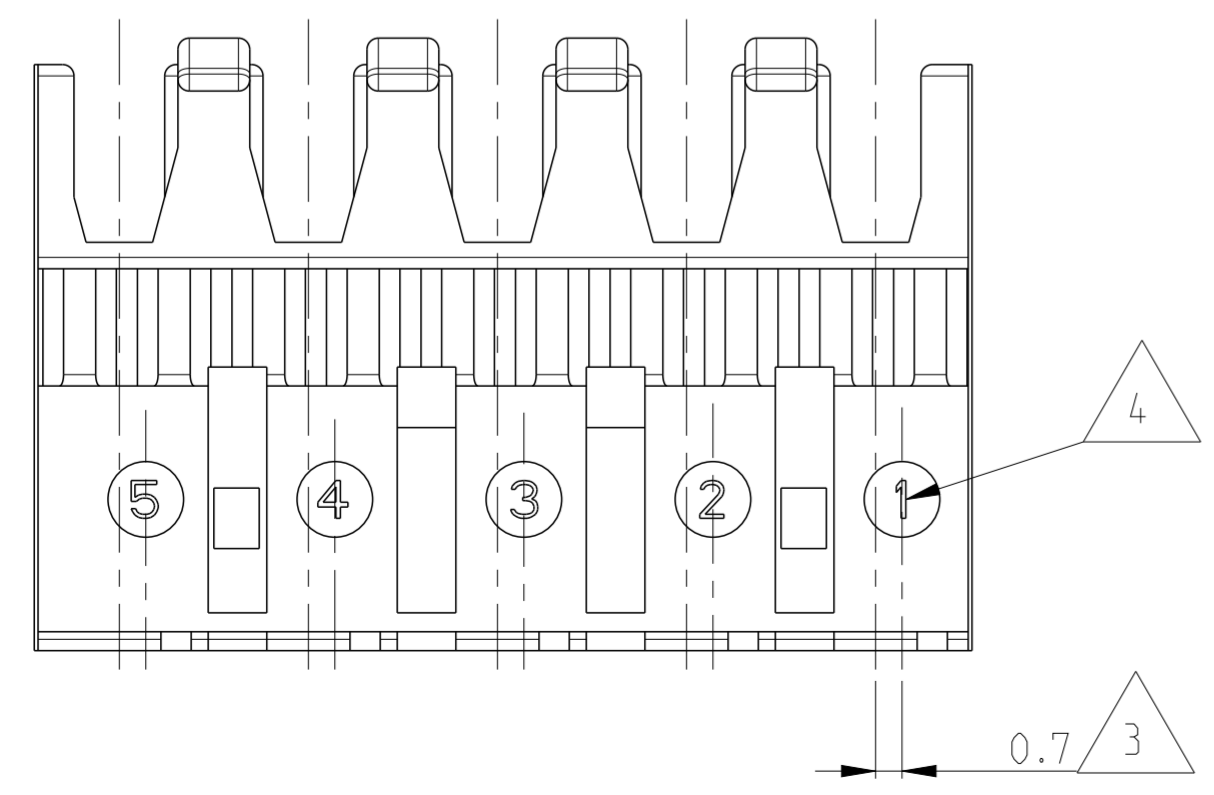


LOC		DIST		REVISIONS			
P	LTR	DESCRIPTION	DATE	DWN	APVD		
A1	-	C2	REVISED PER ECR-16-012572	04OCT2016	BW	RS	



Bemerkungen
NOTES

- 1 Massgebend ist der deutsche Text
ONLY THE GERMAN-LANGUAGE VERSION SHALL BE BINDING
- 2 Lage des Kontaktpunktes auf der Leiterplatte; Abweichung ±0.4
POSITION OF CONTACT POINT ON BOARD; DEVIATION ±0.4
- 3 Kontaktierung zur Drahtmitte um 0.7mm versetzt
CONTACTING 0.7mm DISPLACED TO WIRE CENTRELINE
- 4 Kontaktkammer-Nr.
CONTACT CAVITY #
- 5 Firmenlogo und Leergehäuse-Nr.
ARTWORK LOGO AND HOUSING # (NON LOADED)
- 6 Vierkantloch 2x2 mm wahlweise Rastloch Ø2.5 mm
SQUARE HOLE 2x2 mm OPTIONAL LOCKING HOLE Ø2.5mm
- 7 Ausführung nach DIN 60249-2-4
BOARD DESIGN ACCORDING TO DIN 60249-2-4
- 8 Crimp Kontakt-Nr.:
Material: CuSn4
CRIMP CONTACT #: 926770-1, 926917-1
MATERIAL: CuSn4



1703104-1	MT-EDGE HOUSING	NATURE
PART-NO.:	DESCRIPTION	COLOUR



THIS DRAWING IS A CONTROLLED DOCUMENT.		DWN MAHNKE, B. 22SEP2004	NAME	
DIMENSIONS: mm		CHK STREDAK, F. 20DEC2004	5 POS. MT-EDGE HOUSING RAST 5mm	
TOLERANCES UNLESS OTHERWISE SPECIFIED:		APVD BLEICHER, M. 21DEC2004	-	
0 PLC ±	±0.2mm	PRODUCT SPEC	108-18003	
1 PLC ±	±0.2mm	APPLICATION SPEC	114-18002	
2 PLC ±	±0.2mm	WEIGHT	2.480 g	
3 PLC ±	±0.2mm	CUSTOMER DRAWING	SCALE 5:1 SHEET 1 OF 1 REV C2	
4 PLC ±	±0.2mm	MATERIAL PA.6.6 / UL94V-2	RESTRICTED TO	
ANGLES ±1°	FINISH	SIZE A2 CAGE CODE G-1703104 DRAWING NO. 1703104		

Mouser Electronics

Authorized Distributor

Click to View Pricing, Inventory, Delivery & Lifecycle Information:

[TE Connectivity:](#)

[1703104-1](#)