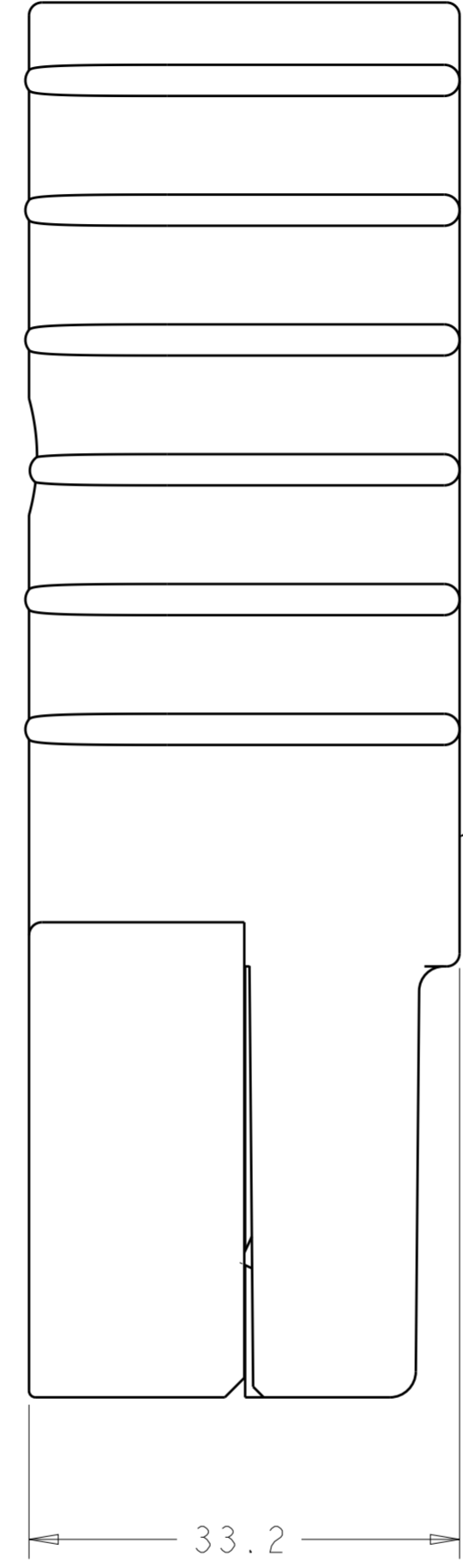
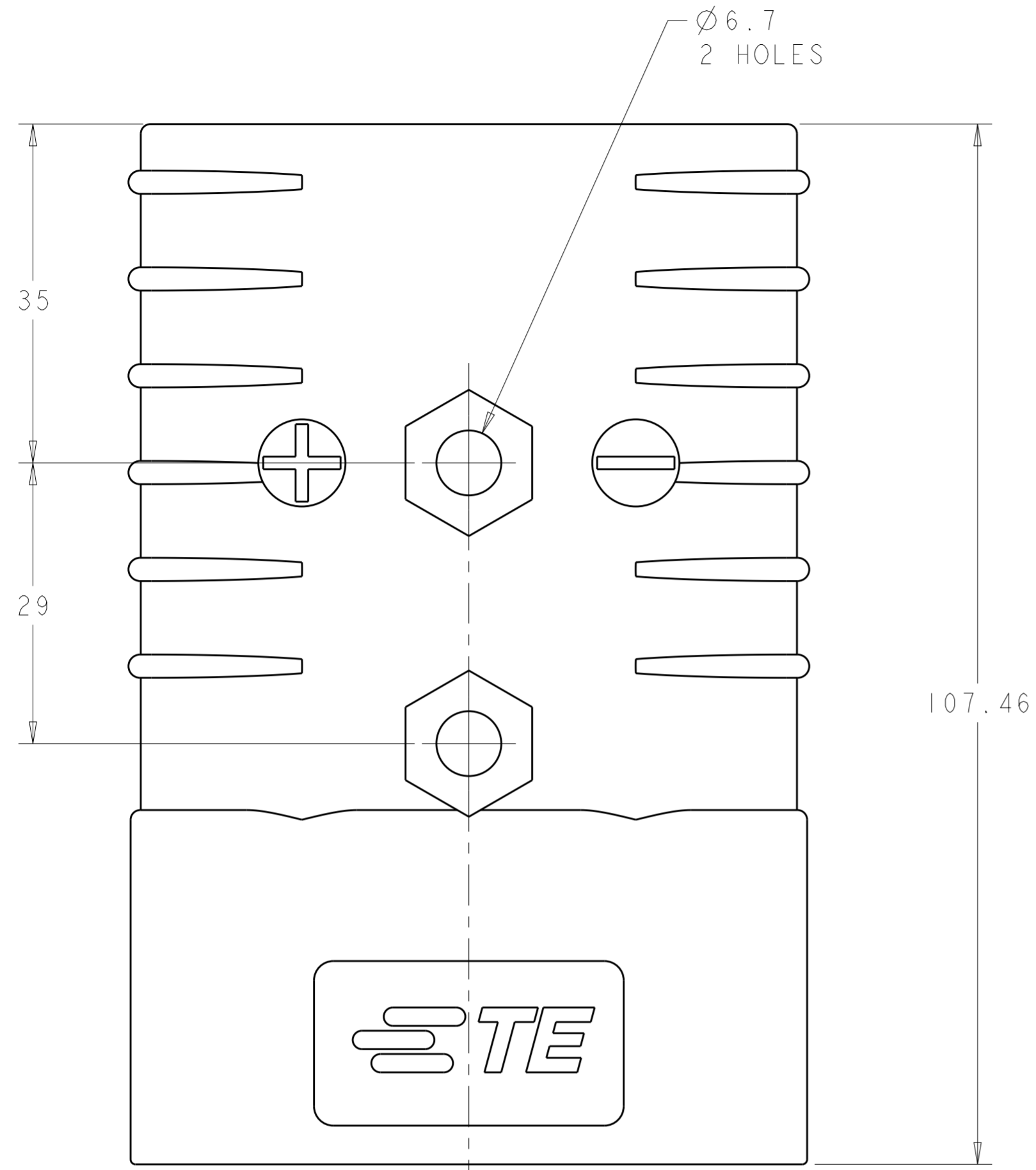
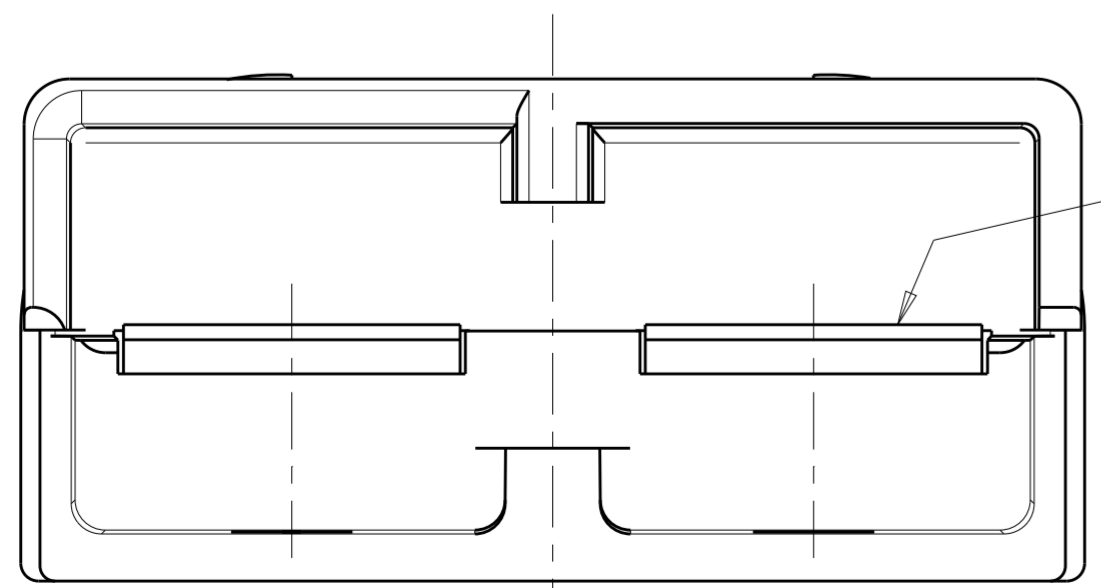


THIS DRAWING IS UNPUBLISHED. RELEASED FOR PUBLICATION 20
 © COPYRIGHT 20 BY - ALL RIGHTS RESERVED.

REVISIONS					
P	LTR	DESCRIPTION	DATE	DWN	APVD
A1		REVISED PER ECR-10-010379	24MAY2010	HMR	JR
A2		REVISED PER ECR-16-003009	29FEB2016	RS	SZ

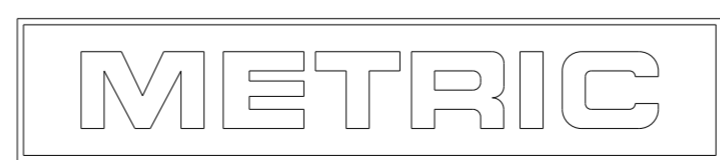


HOUSING
 MATL: FLAME RETARDANT
 POLYCARBONATE



RETENTION CLIP, 2 REQD
 MATL: STAINLESS STEEL

GREEN	1604050-6
BLUE	1604050-5
GRAY	1604050-4
RED	1604050-3
ORANGE	1604050-2
YELLOW	1604050-1
HOUSING COLOR	ASSEMBLY PART NO



THIS DRAWING IS A CONTROLLED DOCUMENT.

DWN	B. D. YOHN	8 JAN 2002
CHK	W. BERNHART	8 APR 2002
APVD	W. BERNHART	8 APR 2002
PRODUCT SPEC	108-2156	
APPLICATION SPEC	114-13119	
WEIGHT	-	
CUSTOMER DRAWING	SCALE	2:1

TE Connectivity	
NAME: SUB-ASSY, HOUSING W/ SPRING, AMP POWER SERIES 350	
SIZE	A2
CAGE CODE	C-1604050
DRAWING NO	1604050
RESTRICTED TO	-
SHEET	1 OF 1
REV	A2

Mouser Electronics

Authorized Distributor

Click to View Pricing, Inventory, Delivery & Lifecycle Information:

[TE Connectivity:](#)

[1604050-3](#)