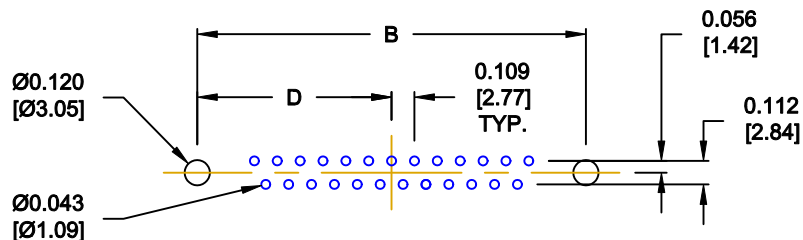
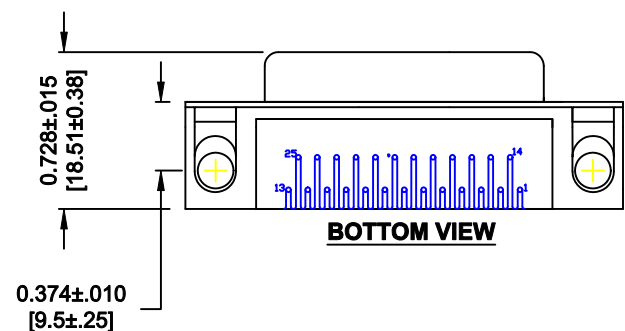
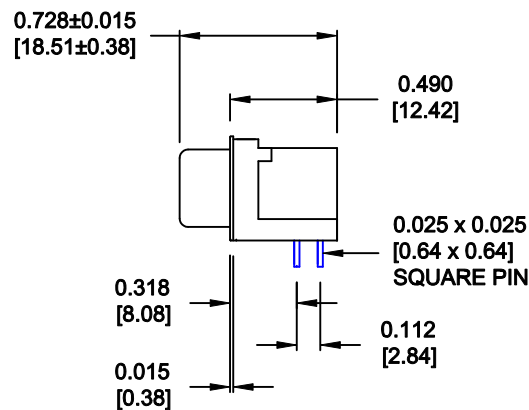
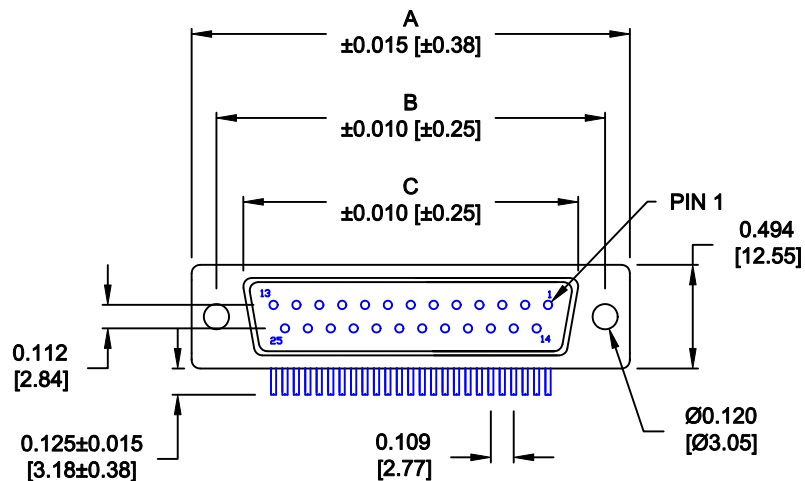


DESCRIPTION: R/A - 0.318 - FEMALE - ECONOMY - D SUB

25-PIN SHOWN

No. OF PINS	DIMENSIONS			
	A	B	C	D
009	1.213	0.984	0.642	0.492
	30.81	24.99	16.30	12.50
015	1.541	1.312	0.970	0.656
	39.14	33.32	24.65	16.66
025	2.088	1.852	1.512	0.926
	53.04	47.04	38.40	23.52
037	2.729	2.500	2.157	1.250
	69.32	63.50	54.80	31.75



RECOMMENDED PCB LAYOUT

182-YYY-2 1 3RYY 1

SERIES _____
 No. of POSITIONS _____
 GENDER _____
 2 = FEMALE
 TERMINATION _____
 1 = PC MOUNT
 SHELL PLATING _____
 3 = NICKEL
 HARDWARE OPTIONS _____
 SEE PAGE 2
 PLATING OPTIONS _____
 1 = GOLD FLASH
 2 = 30u" GOLD

MATERIAL:

- SHELL: SPCC, NICKEL PLATED
- INSULATOR: UL 94V-O RATED, BLACK, 260° PA9T
- CONTACT: BRASS, GOLD PLATED
- RIVET: COPPER ALLOY, NICKEL PLATED
- SCREWLOCK: ZINC ALLOY, NICKEL PLATED
- BOARDLOCK: SPCC, TIN PLATED

ELECTRICAL:

- CURRENT RATING: 5 AMPS
- DIELECTRIC STRENGTH: 1,000V rms
- INSULATION RESISTANCE: 1,000 MOHMS Min
- TEMPERATURE: -55°C TO +105°C

GENERAL TOLERANCES

±0.006 [0.15]
 HOLE : ±0.005 [0.13]

DO NOT SCALE FROM DRAWING



THESE DRAWINGS AND SPECIFICATIONS ARE THE PROPERTY OF NorComp AND SHALL NOT BE REPRODUCED, COPIED OR USED AS THE BASIS FOR THE MANUFACTURE OF SALE OF APPARATUS WITHOUT WRITTEN PERMISSION.

DRAWN: PAM JENKINS DATE: 03-17-05

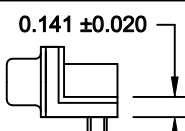
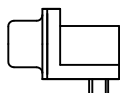
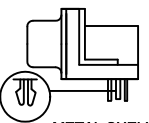
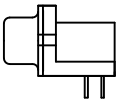
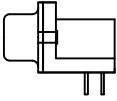
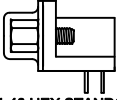
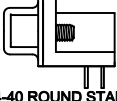
CHECKED: DATE:

NorComp


SCALE: 1:1 SHEET 1 OF 2 REV 11

DWG NO. 182-YYY-213RYY1

RoHS COMPLIANT

	 <p>0.141 ±0.020</p> <p>METAL SHELL WITH INSIDE GROUND STRAPS</p>	 <p>METAL SHELL</p>	 <p>METAL SHELL FORK BOARD LOCKS</p>
 <p>.120" DIA. HOLE</p>	16	43	55
 <p>4-40 FLUSH INSERT</p>	17	45	53 BOARD LOCKS IN HOLE
 <p>4-40 HEX STANDOFF FEMALE SCREWLOCK</p>	18	48	56 BOARD LOCKS IN HOLE
 <p>4-40 ROUND STANDOFF FEMALE SCREWLOCK</p>	N/A	N/A	N/A

DO NOT SCALE FROM DRAWING

	THESE DRAWINGS AND SPECIFICATIONS ARE THE PROPERTY OF NorComp AND SHALL NOT BE REPRODUCED, COPIED OR USED AS THE BASIS FOR THE MANUFACTURE OF SALE OF APPARATUS WITHOUT WRITTEN PERMISSION.		DRAWN: PAM JENKINS	DATE: 03-17-05
			CHECKED:	DATE:
NorComp		SCALE: 1 : 1	SHEET 2 OF 2	REV 11
		DWG NO. 182-YYY-213RYY1		

RoHS COMPLIANT

Mouser Electronics

Authorized Distributor

Click to View Pricing, Inventory, Delivery & Lifecycle Information:

NorComp:

[182-009-213R531](#) [182-015-213R531](#) [182-009-213R181](#) [182-009-213R161](#) [182-009-213R171](#) [182-015-213R161](#)
[182-025-213R161](#) [182-025-213R171](#) [182-025-213R181](#) [182-037-213R161](#) [182-037-213R171](#) [182-037-213R181](#)
[182-025-213R451](#) [182-037-213R531](#) [182-015-213R181](#) [182-025-213R531](#) [182-015-213R171](#) [182-037-213R561](#)
[182-009-213R561](#) [182-015-213R561](#) [182-025-213R561](#)